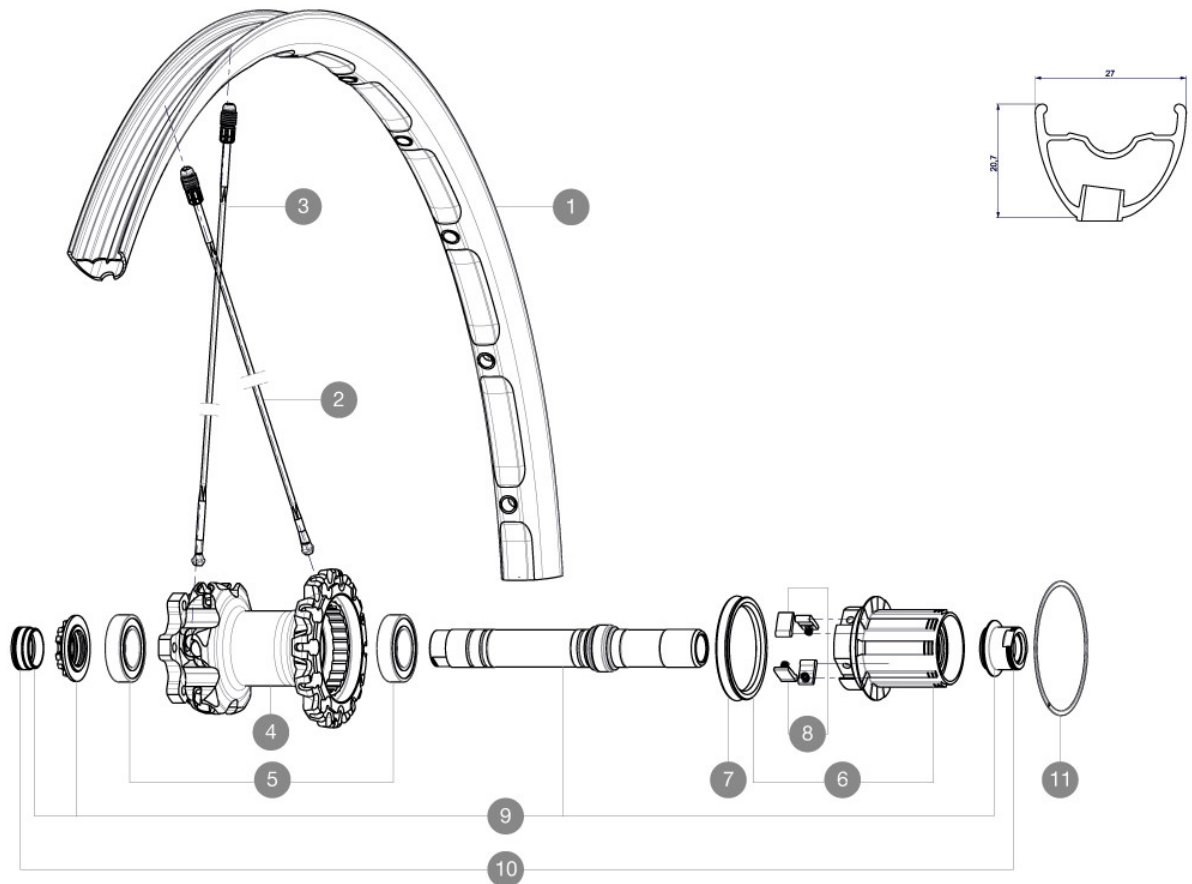


## REFERENCES WHEELS

R17801 Crossmax XL 29Rr WTS



### RIMS



VALVE HOLE  $\bar{A}$  (MM): 6.5 :

|   |          |                                   |
|---|----------|-----------------------------------|
| 1 | V2311213 | KIT REAR RIM CROSSMAX XL 2015 29" |
|---|----------|-----------------------------------|

### SPOKES

|   |          |  |
|---|----------|--|
| 2 | 35113801 | "KIT 10 DS M7/7 XMAX SLR/PRO 29"" SPK 269,5mm"         |
| 3 | A7209901 | KIT 12 FT/NDS CROSSMAX XL/DEEMAX PRO 19 29"" SPK 293mm |

### HUB SHELLS

|    |          |   |
|----|----------|---|
| 4  | N/A      | HUB BODY                                    |
| 5  | M40076   | HUB BEARINGS 17x30x7 6903 x 2               |
| 6  | 35126001 | ITS-4 FREEWHEEL BODY + SEAL 2013 (NO PAWLs) |
| 7  | 99610701 | ITS-4 FREEWHEEL SEAL                        |
| 8  | 99610601 | PAWLs KIT FOR ITS-4 (OR TS-2)               |
| 9  | 30870401 | REAR QRM + AXLE KIT ITS4 135mm from 2012    |
| 11 | 30871801 | ELASTIC RING 56mm diam. ITS-4 20 SPOKES     |

### ADAPTERS

|    |          |  |
|----|----------|--|
| 10 | 30872201 | FRAME SUPPORT ITS-4 135mm REAR AXLE > 2012 |
|----|----------|--|



# Crossmax XL 29 WTS

2

2015

REAR

## Specifications

### RIMS

- Internal width : 23 mm
- ETRTO size 29" : 622x23C

### WHEEL HUB

Shimano 11 speeds compatible  
XD Compatible (XX1-X01) with optional kit

### WHEEL WEIGHTS

Wheel weight 930