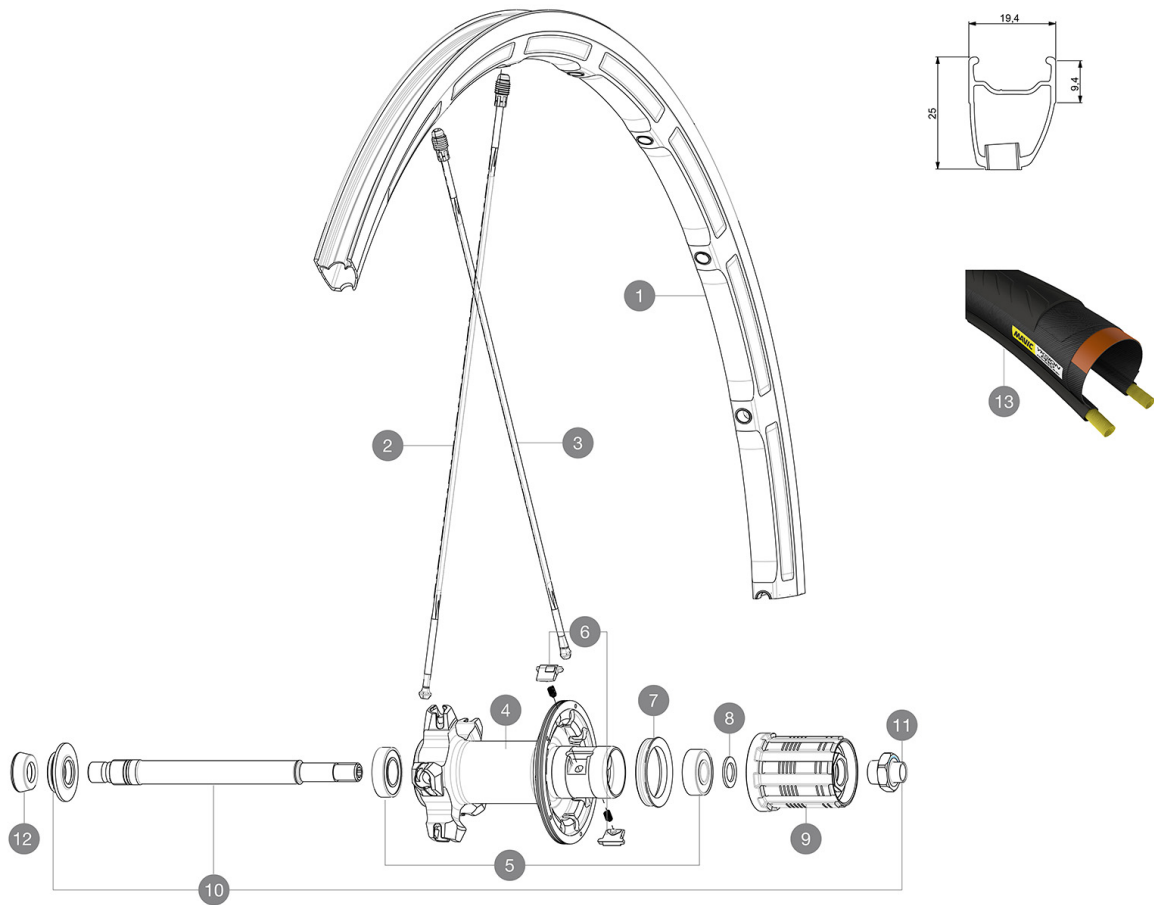


## REFERENCES WHEELS



### RIMS



&NBSP;:

|   |          |                                   |
|---|----------|-----------------------------------|
| 1 | 33000113 | KIT REAR KSYRIUM SLS CLINCHER RIM |
|---|----------|-----------------------------------|

### SPOKES

|   |          |   |
|---|----------|---|
| 2 | 12030401 | KIT 10 NDS KSYRIUM SL11 BLACK SPOKE 298mm |
| 3 | 12030301 | KIT 10 DS KSYRIUM SL11 BLACK SPOKE 275mm  |

### HUB SHELLS

|    |          |  |
|----|----------|--|
| 4  | N/A      | HUB BODY   |
| 5  | 33000001 | REAR HUB B9+6901 BEARINGS 2013                               |
| 6  | M40578   | FTSL PAWLS KIT (ROAD WHEELS)                                 |
| 7  | 99500001 | FTSL/FTSX FREEHUB BODY SEAL                                  |
| 8  | 30872801 | SET OF 3 INTERNAL SILVER SPACERS 9mm FTS-L                   |
| 9  | 30871201 | FTS-L ROAD FREEWHEEL BODY ED11 8/9 compatible                |
| 9  | 30871101 | FTS-L ROAD FREEWHEEL BODY HG11 8/9 compatible                |
| 10 | V2250501 | KIT REAR AXLE KSYRIUM SLE/SLS/ELITE/PRO EXALITH/ALLROAD ELIT |
| 11 | V2373101 | KIT NUT FOR ROAD ALLOY THROUGH AXLE 9mm                      |

### TYRES

|    |          |                      |
|----|----------|----------------------|
| 13 | 37805523 | YksionProPowerLinkWH |
|----|----------|----------------------|

### ADAPTERS

|    |          |   |
|----|----------|---|
| 12 | 35117301 | FT/RR FORK REST R-SYS/CC ULTIMATE > 2013/KSY PRO CARB T |
|----|----------|---|

# MAVIC Ksyrium SLS

## DELIVERED WITH

|                                 |  |
|---------------------------------|--|
| BR601 quick releases            |  |
| BR601 quick releases            |  |
| Computer magnet (front wheel)   |  |
| Computer magnet (front wheel)   |  |
| Multifonction adjustment wrench |  |
| Multifonction adjustment wrench |  |
| User guide                      |  |
| User guide                      |  |

## Specifications

### RIMS

- **Material** : Mxstal
- **Material** : Mxstal
- **Height** : front 22 mm, rear 25 mm asymmetrical
- **Height** : front 22 mm, rear 25 mm asymmetrical
- **Joint** : SUP
- **Joint** : SUP
- **Drilling** : Fore
- **Drilling** : Fore
- **Brake track** : UB Control
- **Brake track** : UB Control
- **Weight reduction** : ISM 3D
- **Weight reduction** : ISM 3D
- **Valve hole diameter** : 6.5 mm
- **Valve hole diameter** : 6.5 mm
- **Tyre** : clincher or tubular
- **Tyre** : clincher or tubular
- **ETRTO size** : 622x15C
- **ETRTO size** : 622x15C
- **Recommended tyre sizes** : 19 to 32 mm
- **Recommended tyre sizes** : 19 to 32 mm

### SPOKES

- **Material** : Zicral
- **Material** : Zicral
- **Shape** : straight pull, bladed, front double butted
- **Shape** : straight pull, bladed, front double butted
- **Nipples** : Fore integrated aluminum
- **Nipples** : Fore integrated aluminum
- **Count** : front 18, rear 20
- **Count** : front 18, rear 20
- **Lacing** : front radial, rear Isopulse
- **Lacing** : front radial, rear Isopulse

### WHEEL HUB

- **Front body** : carbon with aluminum flanges
  - **Front body** : carbon with aluminum flanges
  - **Rear body** : aluminum
  - **Rear body** : aluminum
  - **Axle material** : aluminum
  - **Axle material** : aluminum
- Adjustable sealed cartridge bearings  
Adjustable sealed cartridge bearings
- **Freewheel** : FTS-L steel
  - **Freewheel** : FTS-L steel

### WHEEL WEIGHTS

Wheel weight 790