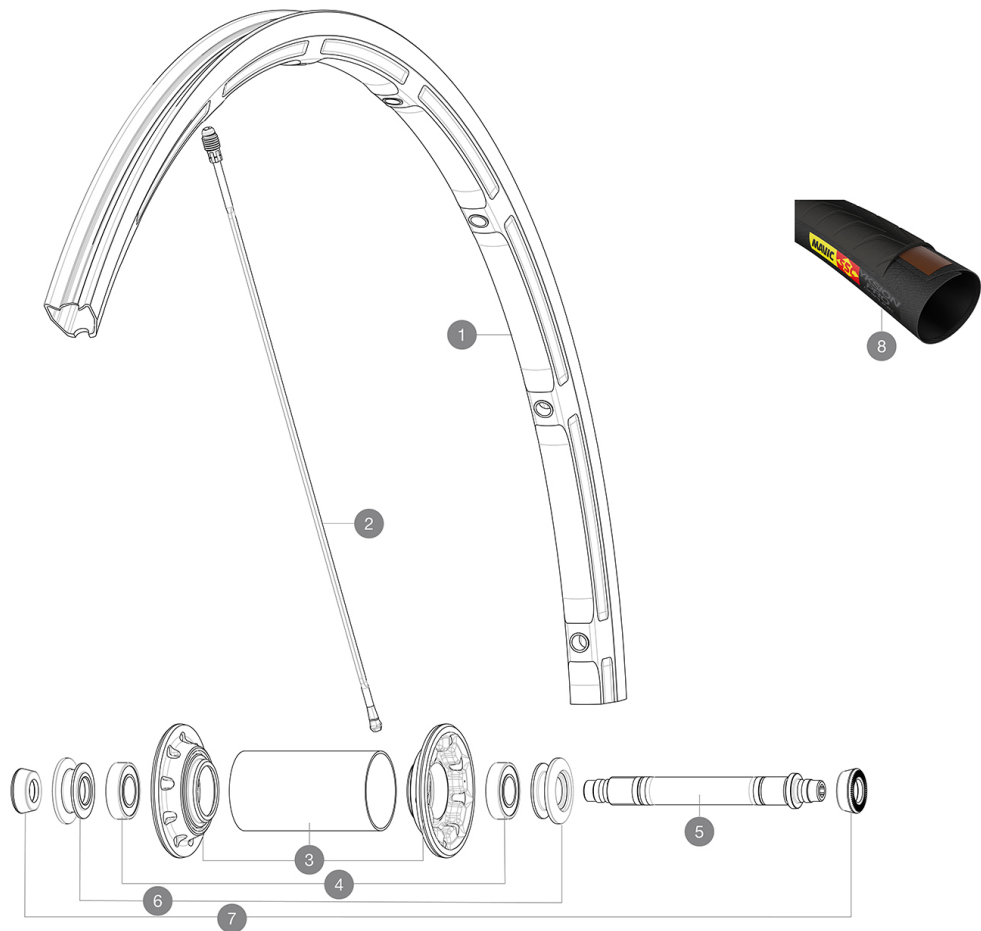


## REFERENCES WHEELS



### RIMS



&NBSP;:

1 33002110 KIT FRONT KSYRIUM SLS TUBULAR RIM

### SPOKES

2 33000301 KIT 10 FT KSYRIUM SLS C/T BLK SPK 283,5mm

### HUB SHELLS

3	N/A	HUB BODY
4	M40078	FRONT HUB BEARINGS 6901 x 2
5	32999801	FRONT AXLE KIT R-SYS/KSYRIUM SL/SLS 2013
6	M40759	ADJUSTING BEARING NUT + FRONT CAP

### TYRES

8 37804423 Yksion Pro GripTub SSC

### ADAPTERS

7 35117301 FT/RR FORK REST R-SYS/CC ULTIMATE > 2013/KSY PRO CARB T

**MAVIC** **Ksyrium SLS T****DELIVERED WITH**

BR601 quick releases	
Computer magnet (front wheel)	
Multifonction adjustment wrench	
User guide	

**Specifications****RIMS**

- **Material** : Mxstal
- **Height** : 22mm
- **Joint** : SUP
- **Drilling** : Fore
- **Brake track** : UB Control
- **Weight reduction** : ISM 3D
- **Valve hole diameter** : 6.5 mm
- **Tyre** : tubular
- **ETRTO size** : 28" tubular
- **Recommended tyre sizes** : 19 to 32 mm

**SPOKES**

- **Material** : Zicral
- **Shape** : straight pull, bladed, front double butted
- **Nipples** : Fore integrated aluminum
- **Count** : front 18, rear 20
- **Lacing** : front radial, rear Isopulse

**WHEEL HUB**

- **Front body** : carbon with aluminum flanges
  - **Rear body** : aluminum
  - **Axle material** : aluminum
- Adjustable sealed cartridge bearings
- **Freewheel** : FTS-L steel

**WHEEL WEIGHTS**

600