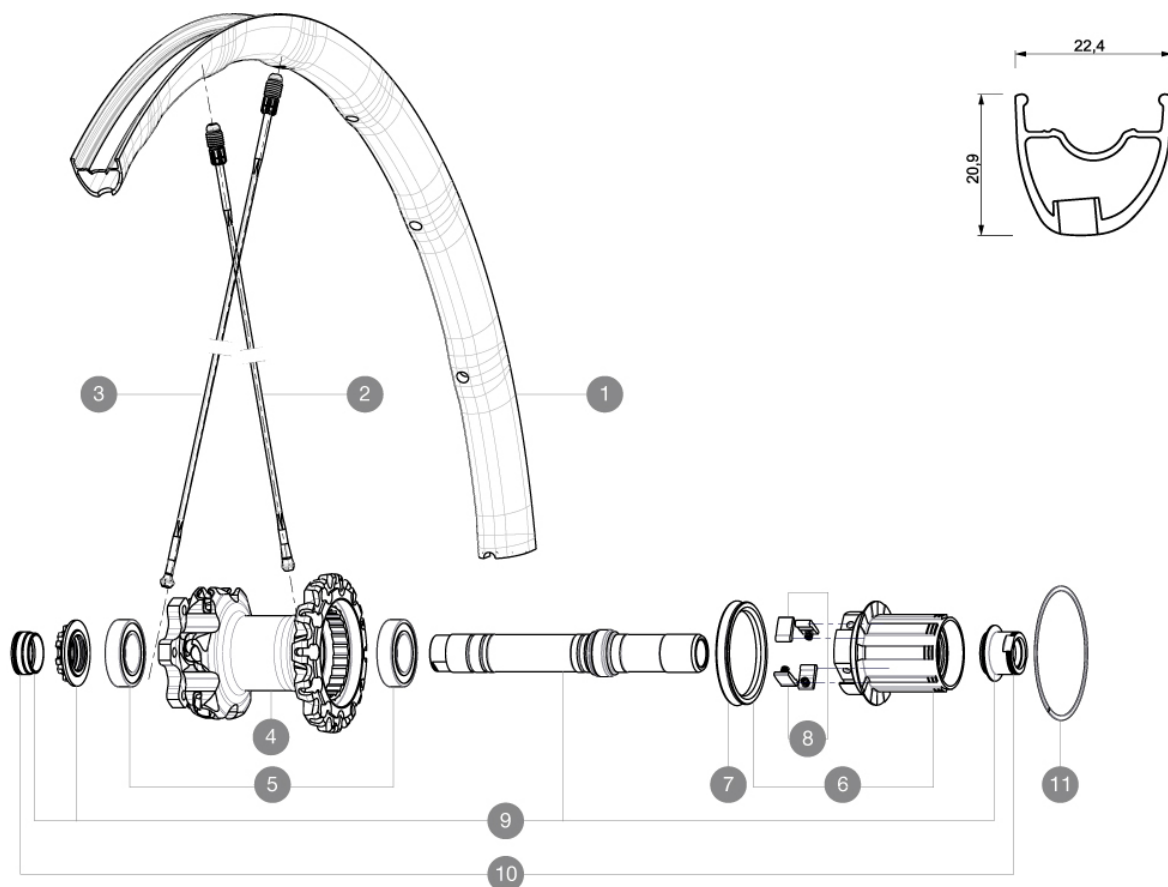


RUEDAS REFERENCIAS



RIMS



ÁNGULO DE ORIFICIO PARA VÁLVULA (MM): 6,5 :

| | | |
|---|----------|-----------------------------------|
| 1 | V2310413 | KIT REAR RIM CROSSMAX SL 2015 26" |
|---|----------|-----------------------------------|

SPOKES

| | | |
|---|----------|---|
| 2 | 36675101 | "10 SPOKES DRIVE SIDE CROSSMAX SLR/ENDURO 650b/27,5" 251,5m |
| 3 | 36675001 | "10 SPOKES OPP DRIVE SIDE CROSSMAX SLR/ENDURO 650b/27,5" 28 |

HUB SHELLS

| | | |
|----|----------|--|
| 4 | N/A | CUERPO DE BUJE |
| 5 | M40076 | HUB BEARINGS 17x30x7 6903 x 2 |
| 6 | 35126001 | ITS-4 FREEWHEEL BODY + SEAL 2013 (WITHOUT PAWLS) |
| 7 | 99610701 | ITS4 SEAL |
| 8 | 99610601 | ITS4 PAWLS KIT |
| 9 | 30870401 | REAR AXLE KIT ITS4 135mm D6T/DCL 2012 |
| 11 | 30871801 | ELASTIC RING 56mm diam. |

ADAPTERS

| | | |
|----|----------|--|
| 10 | 30872201 | FORK REST ITS-4 135mm REAR AXLE > 2012 |
|----|----------|--|



Crossmax SL 27.5 Supermax

2

2015
REAR

Specifications

PESOS DE RUEDAS

Peso de la rueda