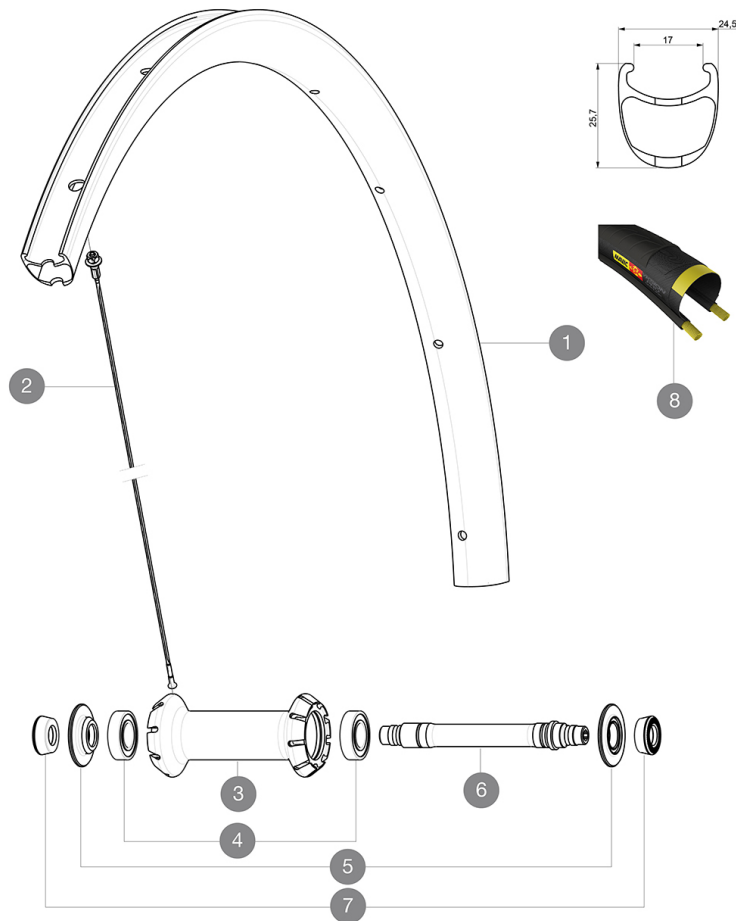


MAVIC *Ksyrium Pro Carbon SL C*

ASTM CATEGORY 1 : road only
 Recommended weight limit : 120kg
 Recommended tyre sizes: 25 to 52 mm
 Max. Pressure: 25mm 7.7 bars - 110 PSI

REFERENCES WHEELS

F27401 KProCarbSL C Ft

**RIMS**VALVE HOLE \bar{A} (MM): 6,5 :

| | | |
|---|----------|--|
| 1 | V2737310 | KIT FRONT RIM KSYRIUM PRO CARBON SL UST |
| 1 | V2401410 | KIT FRT RIM KSYRIUM PRO CARBON SL Clincher - while stock las |
| | V3720101 | 25mm UST Tape for 19 to 22mm Road Rims |
| | V2690101 | KIT CARBON RIM TAPE 21x622mm - FOR CARBON RIM |

SPOKES

| | | |
|---|----------|--|
| 2 | V3663801 | KIT 12 FRT KSYR PRO CARB SL C/UST/T & NDS COSMIC PRO CARB SL |
| 2 | V2274201 | KIT 9 FT LTD SPK 285mm/ALU NIPPLE/WASHER - while stock last |

HUB SHELLS

| | | |
|---|----------|---|
| 4 | M40078 | FRONT HUB BEARINGS 6901 x 2 |
| 5 | V2252501 | FRONT SETTING NUT & DUST PROTECTOR MY16 |
| 6 | 30870001 | FRONT AXLE ROAD RIM BRAKING QRM + |

TYRES

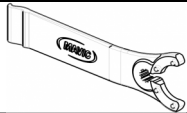
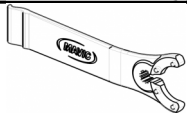
| | | |
|---|----------|----------------------|
| 8 | 37805225 | YksionProGripLinkSSC |
|---|----------|----------------------|

ADAPTERS

| | | |
|---|----------|---|
| 7 | 35117301 | FT/RR FORK REST R-SYS/CC ULTIMATE > 2013/KSY PRO CARB T |
|---|----------|---|

MAVIC Ksyrium Pro Carbon SL C

DELIVERED WITH

| | |
|--|---|
| BR601 quick releases | |
| Rim tape | |
| Carbon brake pads | |
| Carbon brake pads | |
| Carbon brake pads | |
| User guide | |
| Rim tape | |
| Rim tape | |
| Multifonction adjustment wrench (325 423 01) 1 |  |
| Multifonction adjustment wrench (325 423 01) 1 |  |
| User guide | |
| User guide | |

COMPATIBILITY

| | |
|---|--|
| Freewheel: Shimano/Sram or Campagnolo, convertible to XD-R with optional driver body | |
| Front axle: Quick Release only | |
| Front axle: Quick Release only | |
| Rear axle: Quick Release only | |
| Rear axle: Quick Release only | |

Specifications

RIMS

- **Material** : 3K carbon fibers
- **Height** : 25mm
- **Material** : 3K carbon fibers
- **Material** : 3K carbon fibers
- **Drilling** : traditional
- **Brake track** : carbon with TgMAX technology
- **Valve hole diameter** : 6.5 mm
- **Tyre** : clincher
- **ETRTO size** : 622x17C
- **Height** : 25mm
- **Height** : 25mm
- **Recommended tyre sizes** : 25 to 52 mm
- **Drilling** : traditional
- **Drilling** : traditional
- **Brake track** : carbon with TgMAX technology
- **Brake track** : carbon with TgMAX technology
- **Brake track** : carbon
- **Brake track** : carbon
- **Valve hole diameter** : 6.5 mm
- **Valve hole diameter** : 6.5 mm
- **Tyre** : clincher
- **Tyre** : clincher

WHEEL HUB

- **Front and rear bodies** : aluminum
- **Axle material** : aluminum
- Sealed cartridge bearings
- **Freewheel** : Instant Drive 360
- **Front and rear bodies** : aluminum
- **Front and rear bodies** : aluminum
- **Axle material** : aluminum
- **Axle material** : aluminum
- Sealed cartridge bearings
- Sealed cartridge bearings
- **Freewheel** : Instant Drive 360
- **Freewheel** : Instant Drive 360

VERSIONS

- **Color** : Black only
- **Color** : Black only

WHEEL WEIGHTS

Wheel weight 615