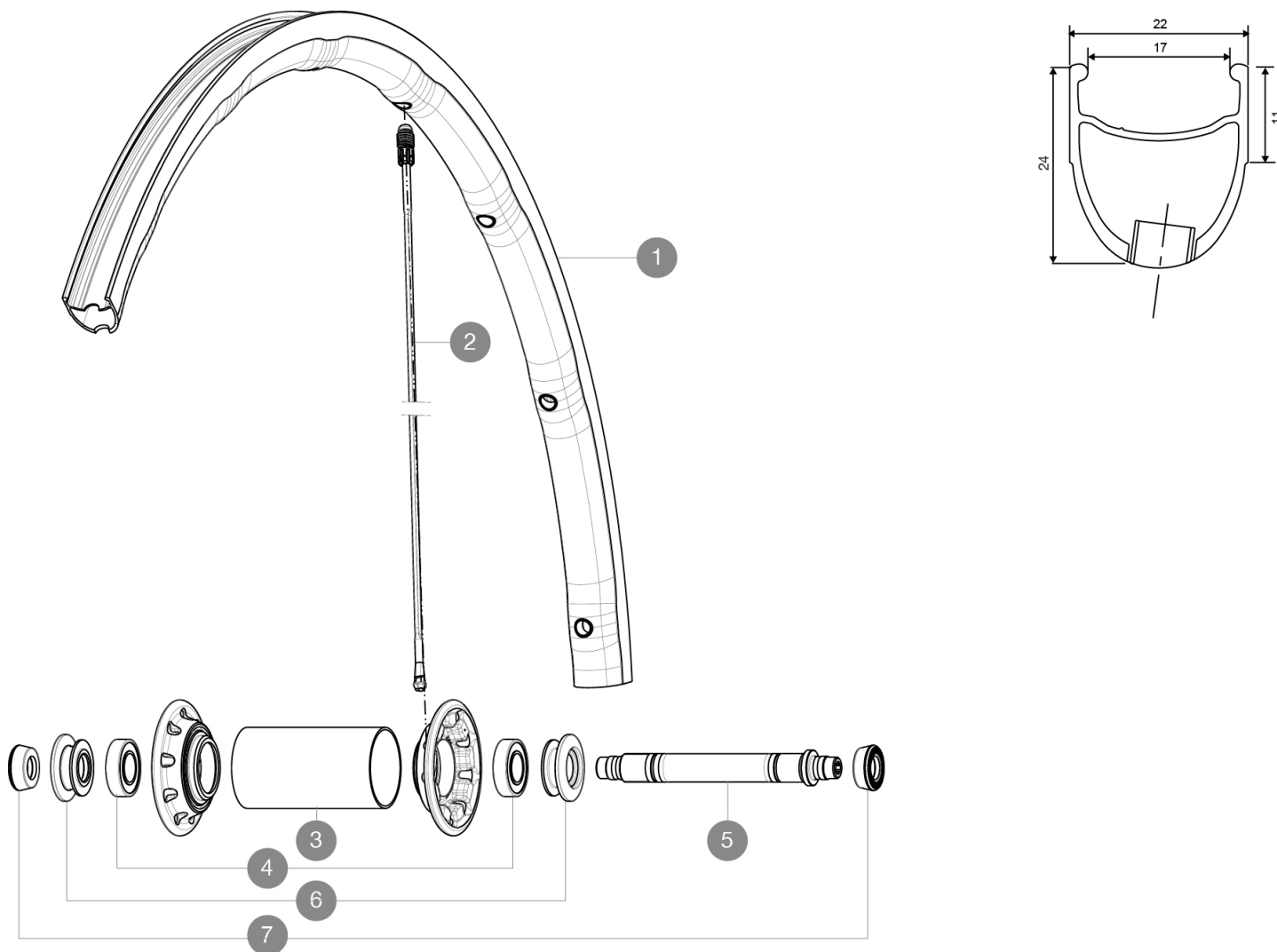


ASTM CATEGORY 2 : road and offroad with jumps less than 15cm  
Recommended weight limit : 120kg  
Recommended tyre sizes: 25 to 52 mm  
Max. Pressure: 25mm 7.7 bars - 110 PSI

## REFERENCES WHEELS

F41301	Ksyrium Pro Ft	F70911	Ksyrium Pro Ft Limited
--------	----------------	--------	------------------------



## RIMS



VALVE HOLE  $\varnothing$  (MM): 6,5 :

1	V2404910	KIT FRONT RIM KSYRIUM PRO LTD
1	V2402010	KIT FRONT RIM KSYRIUM PRO

## SPOKES

2	V2272801	KIT 1 FT 282.5/1 RR 273.5 KSYRIUM PRO LTD SPK
2	V2270601	KIT 9 FT KSY SLR/K125/PRO EXA SPK 282,5mm

## HUB SHELLS

3	N/A	HUB BODY
3	N/A	HUB BODY
4	M40078	FRONT HUB BEARINGS 6901 x 2
5	32999801	FRONT AXLE KIT R-SYS/KSYRIUM SL/SLS 2013
6	M40759	ADJUSTING BEARING NUT + FRONT CAP

## ADAPTERS

7	35117301	FT/RR FORK REST R-SYS/CC ULTIMATE > 2013/KSY PRO CARB T
---	----------	---

# MAVIC Ksyrium Pro

## DELIVERED WITH

BR601 quick releases	
BR601 quick releases	
Multifunction adjustment wrench	
User guide	
Multifunction adjustment wrench	
User guide	

## COMPATIBILITY

Freewheel: Shimano/Sram, convertible to Campagnolo with optional driver body	
Front axle: Quick Release only	
Rear axle: Quick Release only	

## Specifications

### RIMS

- **Material** : Mxstal
- **Height** : front 24mm, rear 26 asymmetrical
- **Joint** : SUP
- **Drilling** : Fore
- **Brake track** : UB Control
- **Weight reduction** : ISM 4D
- **Valve hole diameter** : 6.5 mm
- **Material** : Mxstal
- **Tyre** : clincher
- **Height** : front 24mm, rear 26 asymmetrical
- **ETRTO size** : 622x17C
- **Recommended tyre sizes** : 25 to 52 mm
- **Joint** : SUP
- **Drilling** : Fore
- **Brake track** : UB Control
- **Weight reduction** : ISM 4D
- **Valve hole diameter** : 6.5 mm
- **Tyre** : clincher
- **Internal width** : 17 mm
- **ETRTO size** : 622x17C

### SPOKES

- **Material** : Zicral
- **Shape** : straight pull, bladed, front double butted
- **Nipples** : Fore integrated aluminum
- **Material** : Zicral
- **Count** : front 18, rear 20
- **Lacing** : front radial, rear Isopulse
- **Shape** : straight pull, bladed, front double butted
- **Nipples** : Fore integrated aluminum
- **Count** : front 18, rear 20
- **Lacing** : front radial, rear Isopulse

### WHEEL HUB

- **Front body** : carbon with aluminum flanges
  - **Rear body** : aluminum
  - **Rear body** : aluminum
  - **Axle material** : aluminum
- Adjustable sealed cartridge bearings
- **Front body** : carbon with aluminum flanges
  - **Freewheel** : FTS-L steel
  - **Axle material** : aluminum
- Adjustable sealed cartridge bearings
- **Freewheel** : FTS-L steel

### VERSIONS

- **Color** : Black only

### WHEEL WEIGHTS

Wheel weight 630