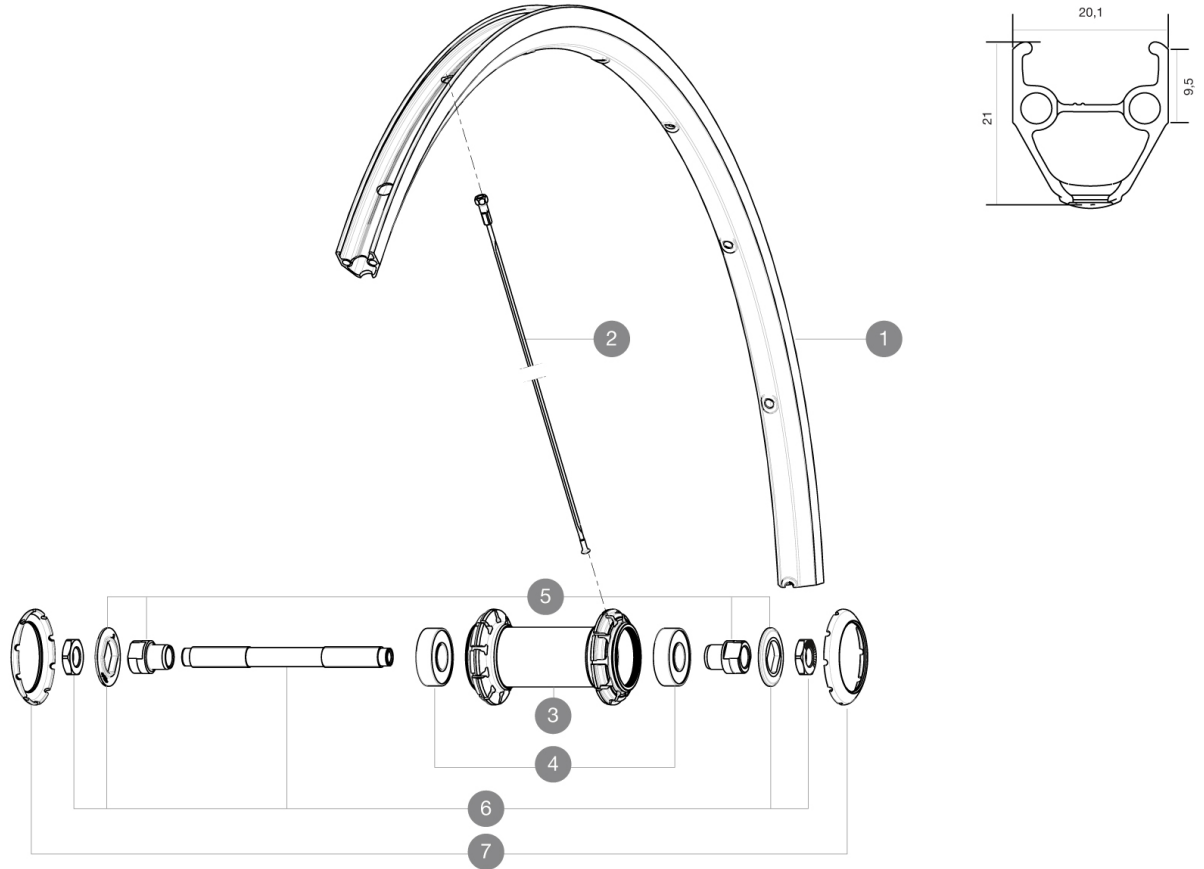


ASTM CATEGORY 1 : road only
 Maximum tyre pressure: 2.55bar/37PSI with a 54mm tyre - 1.3bar/19PSI with a 125mm tyre
 Recommended weight limit : 120kg
 Recommended tyre sizes: 25 to 52 mm
 Max. Pressure: 23mm 8.7 bars - 125 psi, 25/28mm 7.7 bars - 110 psi
 Maximum tyre size: width 52mm - pressure max. 5Bar/72PSI

REFERENCES WHEELS

F44101 AKSIUM 25 RB 700 QR



RIMS



VALVE HOLE \bar{A} (MM): 6,5 :

1 V2403015 KIT FRONT/REAR RIM AKSIUM

SPOKES

2 V4160101 Kit 10 stainless spokes 285 Ft Ksyrium Equipe S/Ft & NDS Aks
 2 10844901 KIT 10 FT KSYRIUM EQ S/FT+NDS AKSIUM SPK 285mm - while stock

HUB SHELLS

4 M40318 KIT 2 HUB BEARINGS 6001
 5 99603801 SHORT EXPENSIBLE BEARING SUPPORTS > 2008
 6 99603701 FRONT AXLE QRM ROAD 2008
 7 12034401 KIT 3 HUB CAPS AERO 10 SLOTS BLACK

DELIVERED WITH

BR101 quick releases	
User guide	
Rim tape	
BR101 quick releases	
BR101 quick releases	
BR101 quick releases	
BR101 quick releases	
BR101 quick releases	
BR101 quick releases	
BR101 quick releases	
BR101 quick releases	
User guide	
Rim tape	
Rim tape	
Rim tape	
Rear QR adapters (non-boost wheel)	
Rear QR adapters (non-boost wheel)	
Rim tape	
Rim tape	

COMPATIBILITY

Freewheel: Shimano/Sram, convertible to Campagnolo with optional driver body	
Freewheel: Shimano/Sram, convertible to Campagnolo with optional driver body	
Freewheel: Shimano/Sram, convertible to Campagnolo with optional driver body	
Freewheel: Shimano/Sram, convertible to Campagnolo with optional driver body	
Freewheel: Shimano/Sram, convertible to Campagnolo with optional driver body	
Front axle: Quick Release only	
Front axle: Quick Release only	
Front axle: Quick Release only	
Front axle: Quick Release only	
Freewheel body: convertible CAMPAGNOLO ED11 (kit 30871201 sold separately)	
Front axle: Quick Release only	
Freewheel body: convertible CAMPAGNOLO ED11 (kit 30871201 sold separately)	
Front axle: Quick Release only	
Rear axle: Quick Release only	
Rear axle: Quick Release only	
Rear axle: Quick Release only	
Rear axle: Quick Release only	
Rear axle: Quick Release only	
Front axle: Quick Release only	