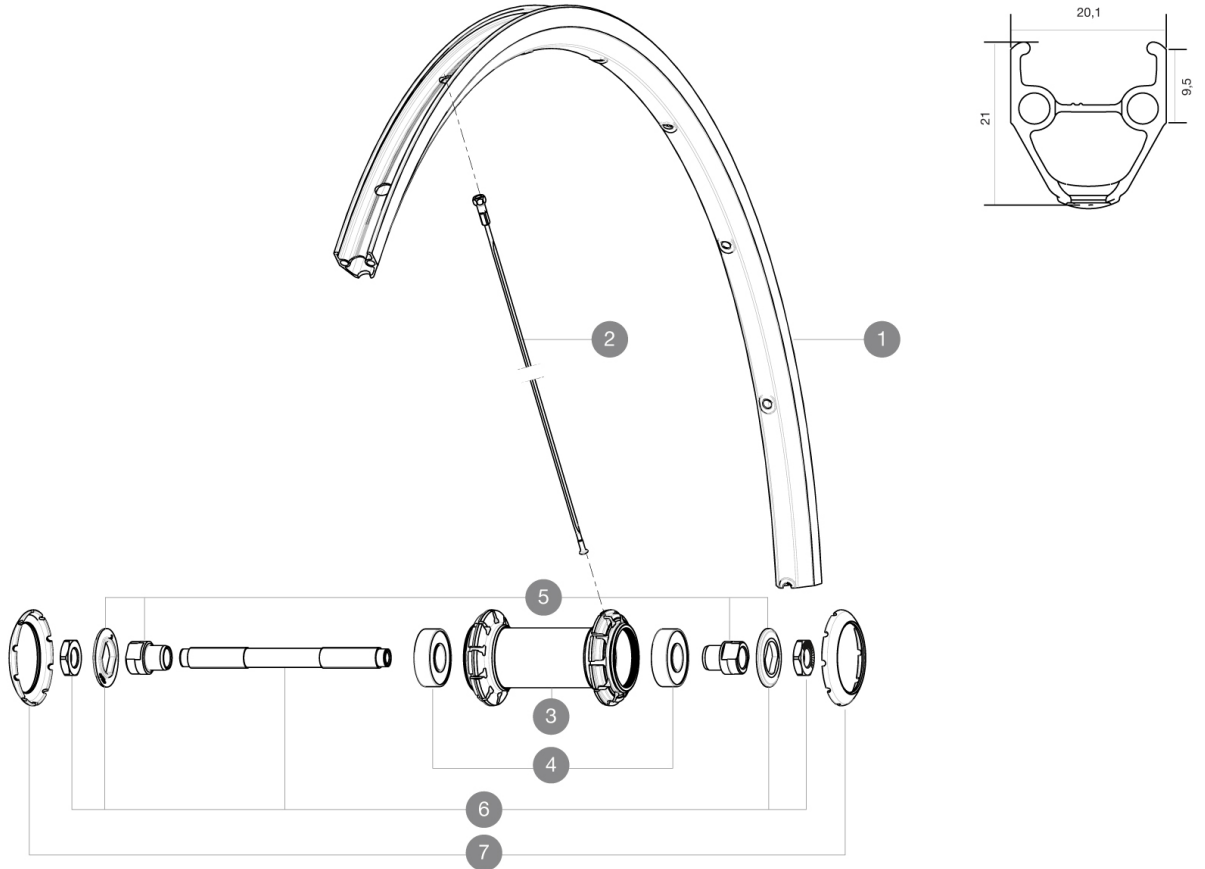


ASTM CATEGORY 1 : road only
Recommended weight limit : 120kg
Recommended tyre sizes: 25 to 52 mm
Max. Pressure: 23mm 8.7 bars - 125 psi, 25/28mm 7.7 bars - 110 psi

REFERENCES WHEELS

F44101 Aksium Ft



RIMS



VALVE HOLE \bar{A} (MM): 6,5 :

1	V2403015	KIT FRONT/REAR RIM AKSIUM
---	----------	---------------------------

SPOKES

2	V4160101	Kit 10 stainless spokes 285 Ft Ksyrium Equipe S/Ft & NDS Aks
2	10844901	KIT 10 FT KSYRIUM EQ S/FT+NDS AKSIUM SPK 285mm - while stock

HUB SHELLS

4	M40318	KIT 2 HUB BEARINGS 6001
5	99603801	SHORT EXPENSIBLE BEARING SUPPORTS > 2008
6	99603701	FRONT AXLE QRM ROAD 2008
7	12034401	KIT 3 HUB CAPS AERO 10 SLOTS BLACK

DELIVERED WITH

BR101 quick releases	
Rim tape	
BR101 quick releases	
BR101 quick releases	
BR101 quick releases	
BR101 quick releases	
User guide	
Rim tape	
Rim tape	
Rim tape	
Rim tape	
User guide	
User guide	
User guide	
User guide	

COMPATIBILITY

Freewheel: Shimano/Sram, convertible to Campagnolo with optional driver body	
Freewheel: Shimano/Sram, convertible to Campagnolo with optional driver body	
Freewheel: Shimano/Sram, convertible to Campagnolo with optional driver body	
Freewheel: Shimano/Sram, convertible to Campagnolo with optional driver body	
Front axle: Quick Release only	
Front axle: Quick Release only	
Front axle: Quick Release only	
Front axle: Quick Release only	
Rear axle: Quick Release only	
Rear axle: Quick Release only	
Rear axle: Quick Release only	
Rear axle: Quick Release only	

Specifications**RIMS**

- **Material** : S6000 Aluminum
- **Height** : 21 mm
- **Joint** : pinned
- **Drilling** : traditional with H2 reinforcement
- **Brake track** : UB Control
- **Valve hole diameter** : 6.5 mm
- **Tyre** : clincher

Download date: 2022-08-18 / update date: 2022-07-19

- **Material** : S6000 Aluminum
- **Material** : S6000 Aluminum
- **Material** : S6000 Aluminum

WHEEL HUB

- **Front and rear bodies** : aluminum
- **Axle material** : steel
- Sealed cartridge bearings
- **Freewheel** : FTS-L steel
- **Front and rear bodies** : aluminum
- **Front and rear bodies** : aluminum
- **Front and rear bodies** : aluminum
- **Front and rear bodies** : aluminum
- **Axle material** : steel
- **Axle material** : steel

WHEEL WEIGHTS

Wheel weight 865