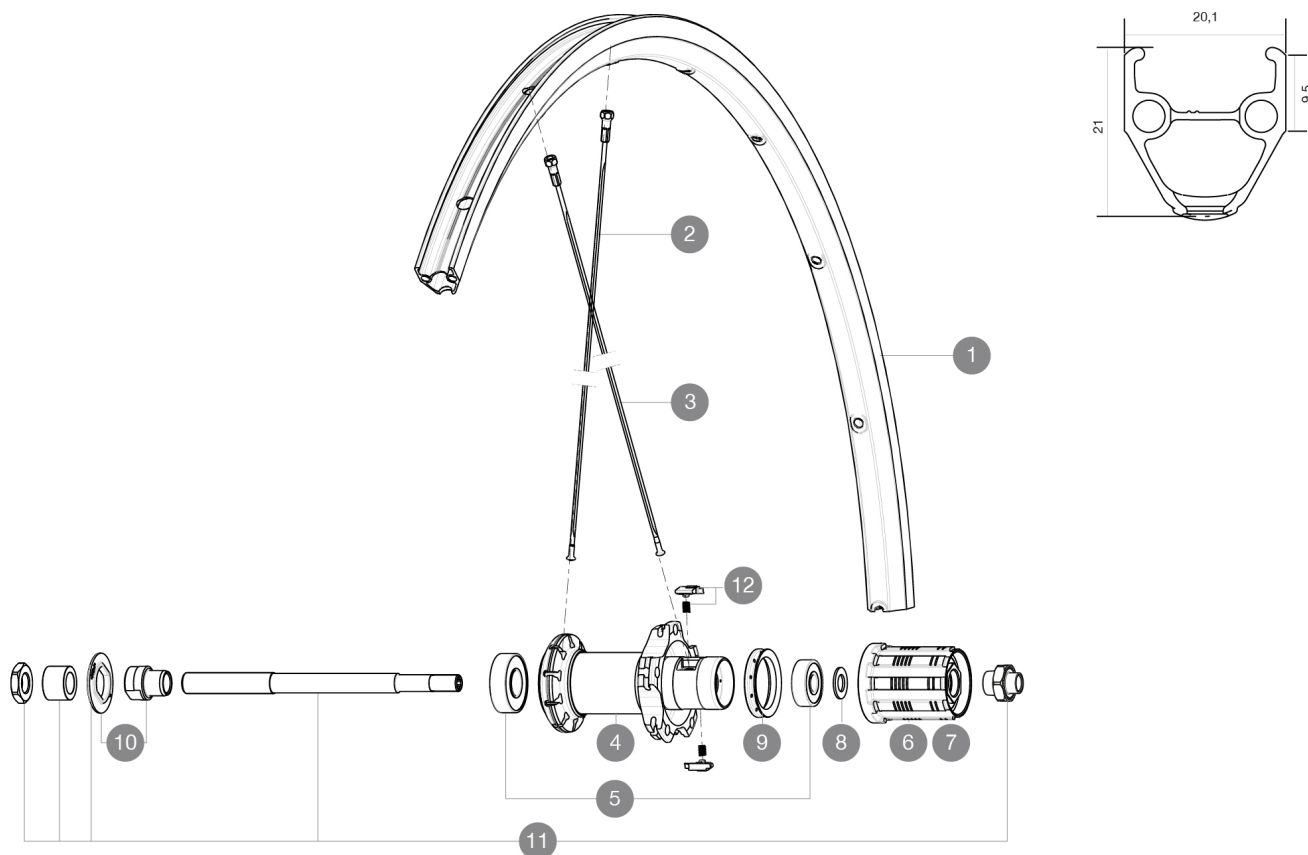


ASTM CATEGORY 1 : road only
Recommended weight limit : 120kg
Recommended tyre sizes: 25 to 52 mm
Max. Pressure: 23mm 8.7 bars - 125 psi, 25/28mm 7.7 bars - 110 psi

REFERENCES WHEELS

R72801 Aksium Rr



RIMS



VALVE HOLE \bar{A} (MM): 6,5 :

1	V2403015	KIT FRONT/REAR RIM AKSIUM
---	----------	---------------------------

SPOKES

2	10844901	KIT 10 FT KSYRIUM EQ S/FT+NDS AKSIUM SPK 285mm - while stock
2	V4160101	Kit 10 stainless spokes 285 Ft Ksyrium Equipe S/Ft & NDS Aks
3	10845001	KIT 10 DS AKSIUM STEEL AERO SPOKES 299mm

HUB SHELLS

5	M40660	REAR HUB 608+6001 BEARINGS
6	30871101	FTS-L ROAD FREEWHEEL BODY HG11 8/9 compatible
7	30871201	FTS-L ROAD FREEWHEEL BODY ED11 8/9 compatible
8	M40067	INTERNAL FREEWHEEL SPACER FTSL/FTSX
9	99500001	FTSL/FTSX FREEHUB BODY SEAL
10	99603801	SHORT EXPENSIBLE BEARING SUPPORTS > 2008
11	99603901	REAR AXLE QRM ROAD 2008
12	M40578	FTSL PAWLS KIT (ROAD WHEELS)

DELIVERED WITH

BR101 quick releases	
Rim tape	
BR101 quick releases	
BR101 quick releases	
BR101 quick releases	
BR101 quick releases	
User guide	
Rim tape	
Rim tape	
Rim tape	
Rim tape	
User guide	
User guide	
User guide	
User guide	

COMPATIBILITY

Freewheel: Shimano/Sram, convertible to Campagnolo with optional driver body	
Freewheel: Shimano/Sram, convertible to Campagnolo with optional driver body	
Freewheel: Shimano/Sram, convertible to Campagnolo with optional driver body	
Freewheel: Shimano/Sram, convertible to Campagnolo with optional driver body	
Front axle: Quick Release only	
Front axle: Quick Release only	
Front axle: Quick Release only	
Front axle: Quick Release only	
Front axle: Quick Release only	
Rear axle: Quick Release only	
Rear axle: Quick Release only	
Rear axle: Quick Release only	
Rear axle: Quick Release only	

Specifications
RIMS

- **Material** : S6000 Aluminum
- **Height** : 21 mm
- **Joint** : pinned
- **Drilling** : traditional with H2 reinforcement
- **Brake track** : UB Control
- **Valve hole diameter** : 6.5 mm
- **Tyre** : clincher
- **Material** : S6000 Aluminum
- **Material** : S6000 Aluminum
- **Material** : S6000 Aluminum

WHEEL HUB

- **Front and rear bodies** : aluminum
- **Axle material** : steel
- Sealed cartridge bearings
- **Freewheel** : FTS-L steel
- **Front and rear bodies** : aluminum
- **Front and rear bodies** : aluminum
- **Front and rear bodies** : aluminum
- **Front and rear bodies** : aluminum
- **Axle material** : steel
- **Axle material** : steel

WHEEL WEIGHTS

Wheel weight 1015