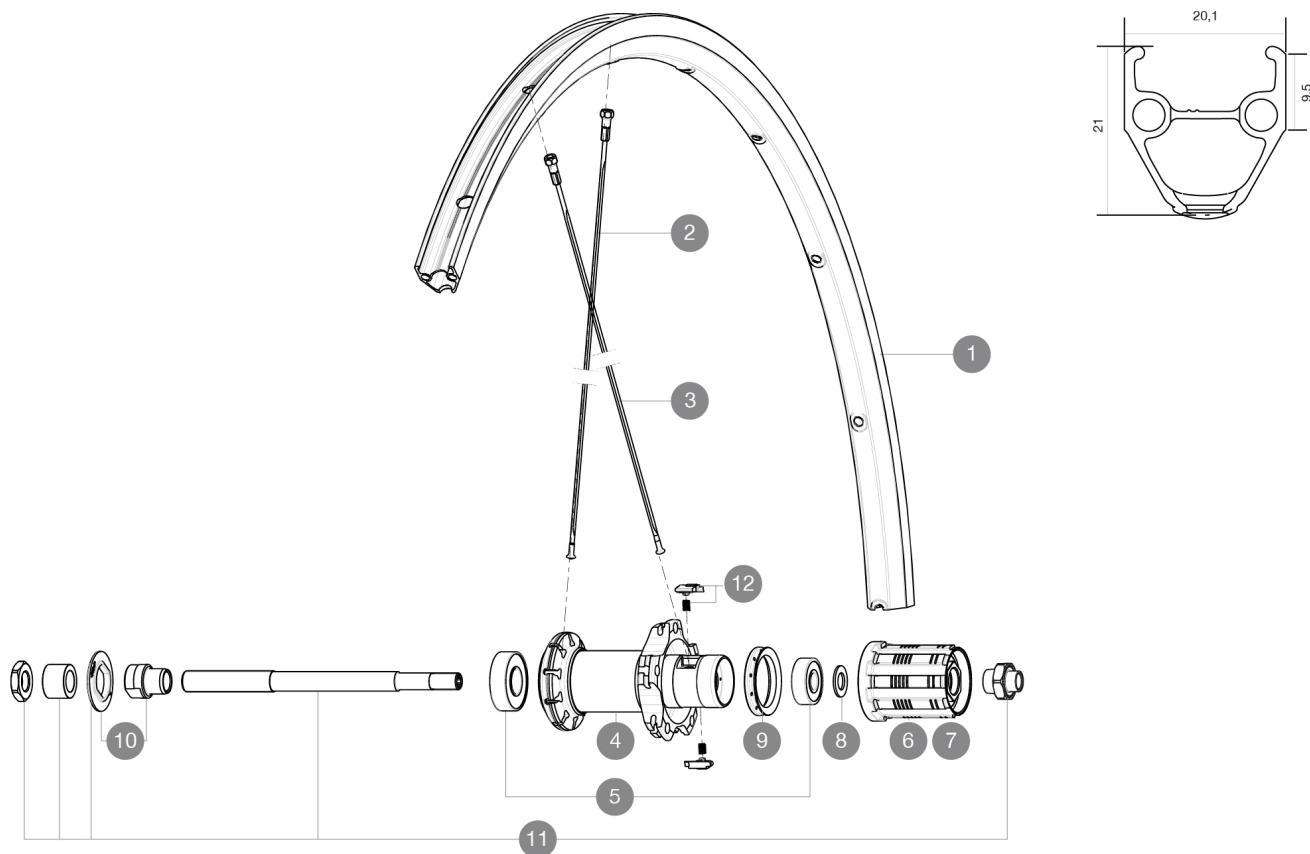


ASTM CATEGORY 1 : road only
 Maximum tyre pressure: 2.55bar/37PSI with a 54mm tyre - 1.3bar/19PSI with a 125mm tyre
 Recommended weight limit : 120kg
 Recommended tyre sizes: 25 to 52 mm
 Max. Pressure: 23mm 8.7 bars - 125 psi, 25/28mm 7.7 bars - 110 psi
 Maximum tyre size: width 52mm - pressure max. 5Bar/72PSI

REFERENCES WHEELS

R72801 AKSIUM RB 700 QR ED11



RIMS



VALVE HOLE \bar{A} (MM): 6,5 :

1 V2403015 KIT FRONT/REAR RIM AKSIUM

SPOKES

2 10844901 KIT 10 FT KSYRIUM EQ S/FT+NDS AKSIUM SPK 285mm - while stock
 2 V4160101 Kit 10 stainless spokes 285 Ft Ksyrium Equipe S/Ft & NDS Aks
 3 10845001 KIT 10 DS AKSIUM STEEL AERO SPOKES 299mm

HUB SHELLS

5 M40660 REAR HUB 608+6001 BEARINGS
 6 30871101 FTS-L ROAD FREEWHEEL BODY HG11 8/9 compatible
 7 30871201 FTS-L ROAD FREEWHEEL BODY ED11 8/9 compatible
 8 M40067 INTERNAL FREEWHEEL SPACER FTSL/FTSX
 9 99500001 FTSL/FTSX FREEHUB BODY SEAL
 10 99603801 SHORT EXPENSIBLE BEARING SUPPORTS > 2008
 11 99603901 REAR AXLE QRM ROAD 2008
 12 M40578 FTSL PAWLS KIT (ROAD WHEELS)

DELIVERED WITH

BR101 quick releases	
Rim tape	
BR101 quick releases	
BR101 quick releases	
BR101 quick releases	
BR101 quick releases	
BR101 quick releases	
BR101 quick releases	
BR101 quick releases	
User guide	
Rim tape	
Rim tape	
Rim tape	
Rim tape	
Rim tape	
Rim tape	
Rim tape	
Rear QR adapters (non-boost wheel)	
User guide	
User guide	

COMPATIBILITY

Freewheel: Shimano/Sram, convertible to Campagnolo with optional driver body	
Freewheel: Shimano/Sram, convertible to Campagnolo with optional driver body	
Freewheel: Shimano/Sram, convertible to Campagnolo with optional driver body	
Freewheel: Shimano/Sram, convertible to Campagnolo with optional driver body	
Freewheel: Shimano/Sram, convertible to Campagnolo with optional driver body	
Front axle: Quick Release only	
Front axle: Quick Release only	
Front axle: Quick Release only	
Front axle: Quick Release only	
Freewheel body: convertible CAMPAGNOLO ED11 (kit 30871201 sold separately)	
Front axle: Quick Release only	
Front axle: Quick Release only	
Front axle: Quick Release only	
Rear axle: Quick Release only	
Rear axle: Quick Release only	
Rear axle: Quick Release only	
Rear axle: Quick Release only	
Rear axle: Quick Release only	
Rear axle: Quick Release only	
Rear axle: 12mm thru axle, convertible to Quick Release with adapters (delivered with non-boost wheel)	
FTS-L Shimano / Sram freewheel body ([30871101] - Delivered on the wheel)	