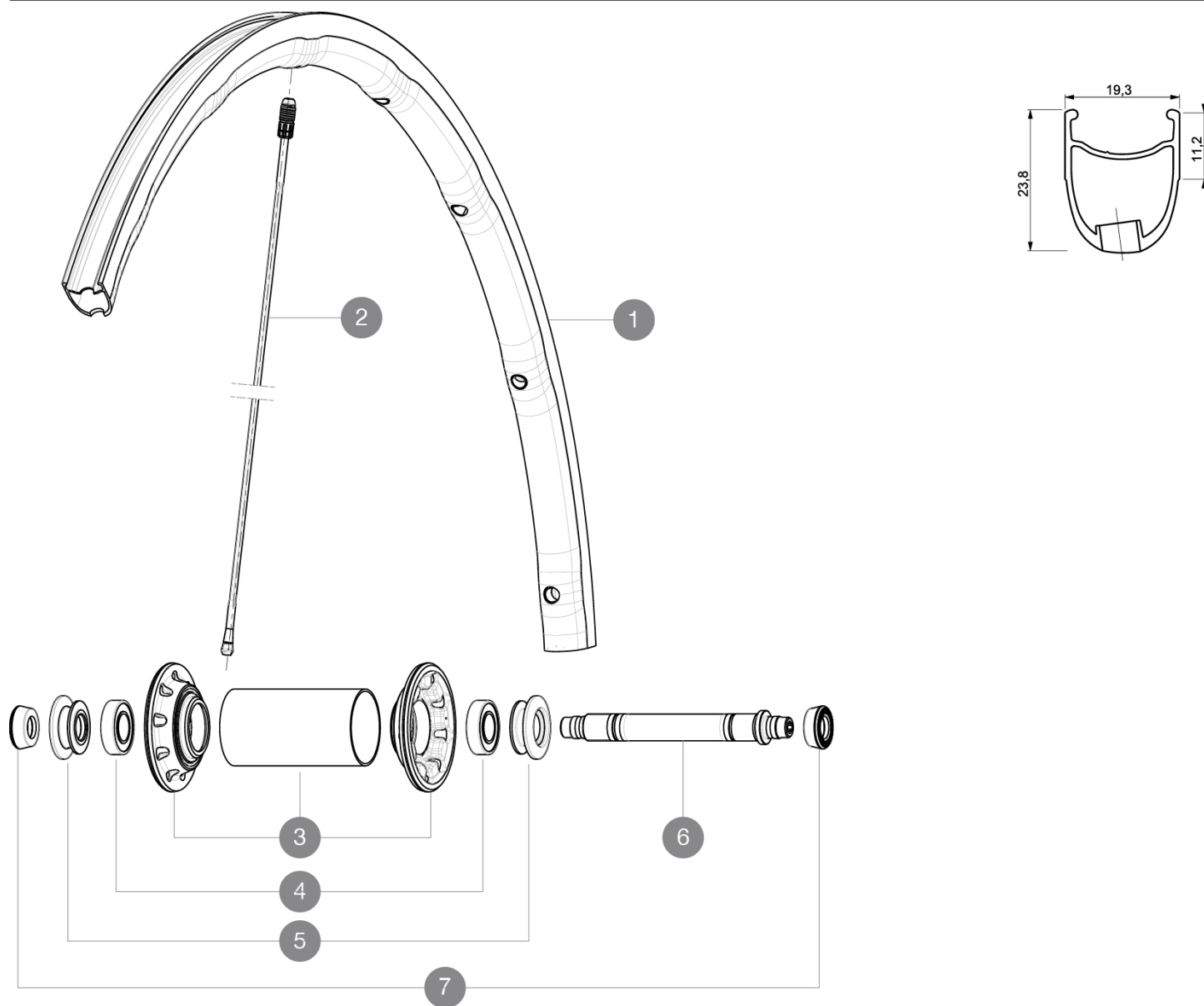


**MAVIC** *Ksyrium Pro Exalith SL*

ASTM CATEGORY 1 : road only  
 Recommended weight limit : 120kg  
 Recommended tyre sizes: 23 to 32 mm  
 Max. Pressure: 25mm 7.7 bars - 110 PSI

**REFERENCES WHEELS**

F34301	KsyProExalithSLFt	F70901	KsyProExalithSLFt Limited
--------	-------------------	--------	---------------------------

**RIMS**

VALVE HOLE  $\bar{A}$  (MM): 6.5 :

1	V2405110	KIT FRONT RIM KSYRIUM PRO EXALITH SL LTD
1	V2290110	KIT FRONT RIM KSYRIUM PRO SL EXALITH (SLR 15)

**SPOKES**

2	V2272901	KIT 1 FT282+1 RR293 KSY PRO EXAL SL LTD SPK - while stock la
2	V2270601	KIT 9 FT KSY SLR/K125/PRO EXA SPK 282,5mm

**HUB SHELLS**

3	N/A	HUB BODY
4	M40078	FRONT HUB BEARINGS 6901 x 2
5	M40759	ADJUSTING BEARING NUT + FRONT CAP
6	32999801	FRONT AXLE KIT R-SYS/KSYRIUM SL/SLS 2013

**ADAPTERS**

7	35117301	FT/RR FORK REST R-SYS/CC ULTIMATE > 2013/KSY PRO CARB T
---	----------	---

# MAVIC Ksyrium Pro Exalith SL

## DELIVERED WITH

BR601 quick releases	
BR601 quick releases	
Exalith brake pads	
Exalith brake pads	
Multifonction adjustment wrench	
Tracomp ring tool	
User guide	
Multifonction adjustment wrench	
Tracomp ring tool	
User guide	

## COMPATIBILITY

Freewheel: Shimano/Sram, convertible to Campagnolo with optional driver body	
Front axle: Quick Release only	
Rear axle: Quick Release only	

## Specifications

### RIMS

- **Material** : Mactal
- **Height** : front 24mm, rear 26 asymmetrical
- **Joint** : SUP
- **Drilling** : Fore
- **Brake track** : Exalith 2
- **Weight reduction** : ISM 4D
- **Valve hole diameter** : 6.5 mm
- **Tyre** : clincher
- **Material** : Mactal
- **Height** : front 24mm, rear 26 asymmetrical
- **ETRTO size** : 622x15C
- **Recommended tyre sizes** : 23 to 32 mm
- **Joint** : SUP
- **Drilling** : Fore
- **Brake track** : Exalith 2
- **Weight reduction** : ISM 4D
- **Valve hole diameter** : 6.5 mm
- **Tyre** : clincher
- **Internal width** : 15mm
- **ETRTO size** : 622x15C

### SPOKES

- **Material** : front and rear drive side Zicral, Rear non drive side carbon fiber
- **Shape** : front and rear drive side straight pull bladed double butted, rear non drive side Tracomp
- **Nipples** : Fore integrated aluminum
- **Material** : front and rear drive side Zicral, Rear non drive side carbon fiber
- **Count** : front 18, rear 20
- **Lacing** : radial front and rear non-drive side, crossed 2 rear drive side

### WHEEL HUB

- **Front body** : carbon with aluminum flanges
- **Rear body** : aluminum
- **Rear body** : aluminum
- **Axle material** : aluminum
- Adjustable sealed cartridge bearings
- **Front body** : carbon with aluminum flanges
- **Freewheel** : FTS-L steel
- **Axle material** : aluminum
- Adjustable sealed cartridge bearings
- **Freewheel** : FTS-L steel

### VERSIONS

- **Color** : Black only

### WHEEL WEIGHTS

Wheel weight 605