

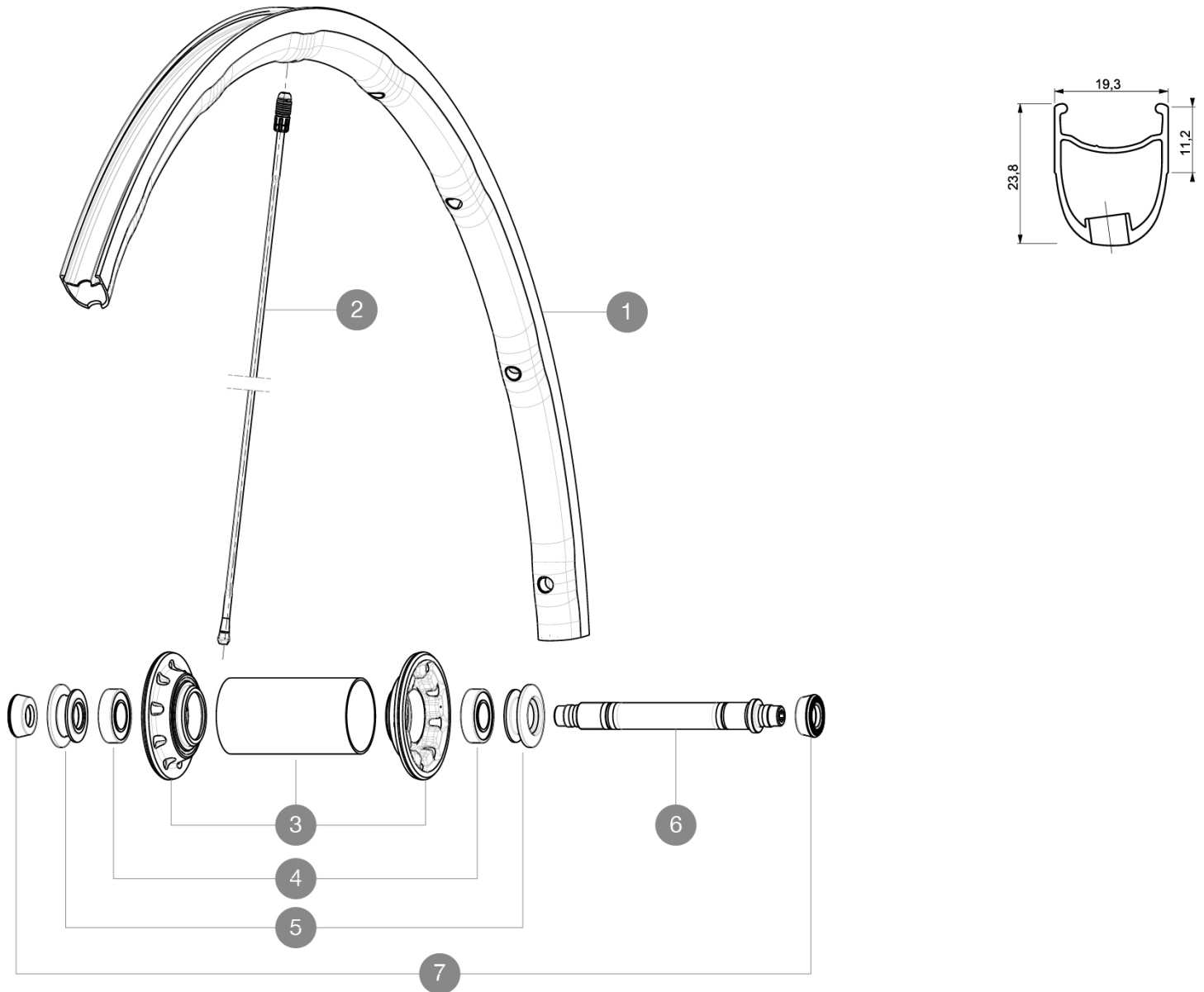
MAVIC *Ksyrium Pro Exalith SL*

ASTM CATEGORY 1 : road only
 Recommended weight limit : 120kg
 Recommended tyre sizes: 23 to 32 mm
 Max. Pressure: 25mm 7.7 bars - 110 PSI

REFERENCES WHEELS

F34301 KsyProExalithSLFt

F70901 KsyProExalithSLFt Limited

**RIMS**VALVE HOLE \bar{A} (MM): 6.5 :

1	V2405110	KIT FRONT RIM KSYRIUM PRO EXALITH SL LTD
1	V2290110	KIT FRONT RIM KSYRIUM PRO SL EXALITH (SLR 15)

SPOKES

2	V2272901	KIT 1 FT282+1 RR293 KSY PRO EXAL SL LTD SPK - while stock la
2	V2270601	KIT 9 FT KSY SLR/K125/PRO EXA SPK 282,5mm

HUB SHELLS

3	N/A	HUB BODY
4	M40078	FRONT HUB BEARINGS 6901 x 2
5	M40759	ADJUSTING BEARING NUT + FRONT CAP
6	32999801	FRONT AXLE KIT R-SYS/KSYRIUM SL/SLS 2013

ADAPTERS

7	35117301	FT/RR FORK REST R-SYS/CC ULTIMATE > 2013/KSY PRO CARB T
---	----------	---

MAVIC Ksyrium Pro Exalith SL

DELIVERED WITH

BR601 quick releases	
BR601 quick releases	
Exalith brake pads	
Exalith brake pads	
Multifunction adjustment wrench	
Tracomp ring tool	
User guide	
Multifunction adjustment wrench	
Tracomp ring tool	
User guide	

COMPATIBILITY

Freewheel: Shimano/Sram, convertible to Campagnolo with optional driver body	
Front axle: Quick Release only	
Rear axle: Quick Release only	

Specifications

RIMS

- **Material** : Mactal
- **Height** : front 24mm, rear 26 asymmetrical
- **Joint** : SUP
- **Drilling** : Fore
- **Brake track** : Exalith 2
- **Weight reduction** : ISM 4D
- **Valve hole diameter** : 6.5 mm
- **Tyre** : clincher
- **Material** : Mactal
- **Height** : front 24mm, rear 26 asymmetrical
- **ETRTO size** : 622x15C
- **Recommended tyre sizes** : 23 to 32 mm
- **Joint** : SUP
- **Drilling** : Fore
- **Brake track** : Exalith 2
- **Weight reduction** : ISM 4D
- **Valve hole diameter** : 6.5 mm
- **Tyre** : clincher
- **Internal width** : 15mm
- **ETRTO size** : 622x15C

SPOKES

- **Material** : front and rear drive side Zicral, Rear non drive side carbon fiber
- **Shape** : front and rear drive side straight pull bladed double butted, rear non drive side Tracomp
- **Nipples** : Fore integrated aluminum
- **Material** : front and rear drive side Zicral, Rear non drive side carbon fiber
- **Count** : front 18, rear 20
- **Lacing** : radial front and rear non-drive side, crossed 2 rear drive side
- **Shape** : front and rear drive side straight pull bladed double butted, rear non drive side Tracomp

WHEEL HUB

- **Front body** : carbon with aluminum flanges
- **Rear body** : aluminum
- **Rear body** : aluminum
- **Axle material** : aluminum
- **Front body** : carbon with aluminum flanges
- Adjustable sealed cartridge bearings
- **Freewheel** : FTS-L steel
- **Axle material** : aluminum
- Adjustable sealed cartridge bearings
- **Freewheel** : FTS-L steel

VERSIONS

- **Color** : Black only

WHEEL WEIGHTS

Wheel weight 605