

# MAVIC Ksyrium Pro Exalith SL

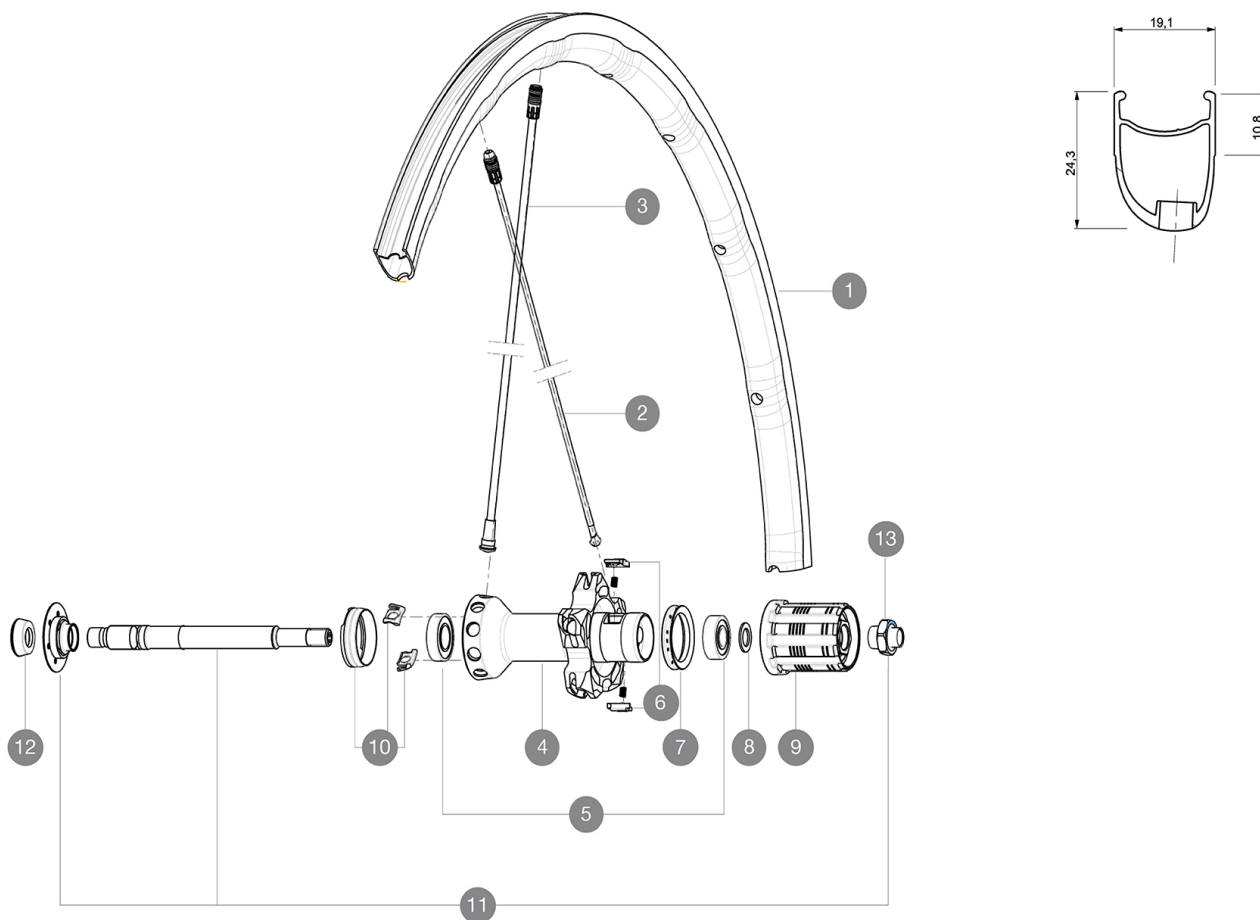
1  
2016  
REAR

ASTM CATEGORY 1 : road only  
Recommended weight limit : 120kg  
Recommended tyre sizes: 23 to 32 mm  
Max. Pressure: 25mm 7.7 bars - 110 PSI

## REFERENCES WHEELS

R58301 KsyProExalithSLRr

R98421 KsyProExalithSLRr Limited



## RIMS



VALVE HOLE  $\bar{A}$  (MM): 6.5 :

1	V2405213	KIT REAR RIM KSYRIUM PRO EXALITH SL LTD
1	V2290213	KIT REAR RIM KSYRIUM PRO SL EXALITH (SLR 15)

## SPOKES

2	V2270401	KIT 10 DS R-SYS SLR/KSY SLR ALU SPK 293,5mm
3	V2270301	KIT 10 NDS R-SYS/KSY SLR CARB SPK 282,7mm -while stock last
3	V4161301	Kit 10 front/rear Rsys spokes 282,7mm from 2020
10	99693801	2 SILVER TRACOMP RINGS + CLIPS

## HUB SHELLS

4	N/A	HUB BODY
5	33000001	REAR HUB B9+6901 BEARINGS 2013
6	M40578	FTSL PAWLS KIT (ROAD WHEELS)
7	99500001	FTSL/FTSX FREEHUB BODY SEAL
8	30872801	SET OF 3 INTERNAL SILVER SPACERS 9mm FTS-L
9	30871201	FTS-L ROAD FREEWHEEL BODY ED11 8/9 compatible
9	30871101	FTS-L ROAD FREEWHEEL BODY HG11 8/9 compatible
11	V2250201	KIT REAR AXLE KSYRIUM SLR/K125/R-SYS/ELITE 16
13	V2373101	KIT NUT FOR ROAD ALLOY THROUGH AXLE 9mm

## ADAPTERS

12	35117301	FT/RR FORK REST R-SYS/CC ULTIMATE > 2013/KSY PRO CARB T
----	----------	---

# MAVIC Ksyrium Pro Exalith SL

## DELIVERED WITH

BR601 quick releases	
BR601 quick releases	
Exalith brake pads	
Exalith brake pads	
Multifunction adjustment wrench	
Tracomp ring tool	
User guide	
Multifunction adjustment wrench	
Tracomp ring tool	
User guide	

## COMPATIBILITY

Freewheel: Shimano/Sram, convertible to Campagnolo with optional driver body	
Front axle: Quick Release only	
Rear axle: Quick Release only	

## Specifications

### RIMS

- **Material** : Mxtral
- **Height** : front 24mm, rear 26 asymmetrical
- **Joint** : SUP
- **Drilling** : Fore
- **Brake track** : Exalith 2
- **Weight reduction** : ISM 4D
- **Valve hole diameter** : 6.5 mm
- **Tyre** : clincher
- **Material** : Mxtral
- **Height** : front 24mm, rear 26 asymmetrical
- **ETRTO size** : 622x15C
- **Recommended tyre sizes** : 23 to 32 mm
- **Joint** : SUP
- **Drilling** : Fore
- **Brake track** : Exalith 2
- **Weight reduction** : ISM 4D
- **Valve hole diameter** : 6.5 mm
- **Tyre** : clincher
- **Internal width** : 15mm
- **ETRTO size** : 622x15C

### SPOKES

- **Material** : front and rear drive side Zicral, Rear non drive side carbon fiber
- **Shape** : front and rear drive side straight pull bladed double butted, rear non drive side Tracomp
- **Nipples** : Fore integrated aluminum
- **Material** : front and rear drive side Zicral, Rear non drive side carbon fiber
- **Count** : front 18, rear 20
- **Lacing** : radial front and rear non-drive side, crossed 2 rear drive side

### WHEEL HUB

- **Front body** : carbon with aluminum flanges
- **Rear body** : aluminum
- **Rear body** : aluminum
- **Axle material** : aluminum
- Adjustable sealed cartridge bearings
- **Front body** : carbon with aluminum flanges
- **Freewheel** : FTS-L steel
- **Axle material** : aluminum
- Adjustable sealed cartridge bearings
- **Freewheel** : FTS-L steel

### VERSIONS

- **Color** : Black only

### WHEEL WEIGHTS

Wheel weight 750