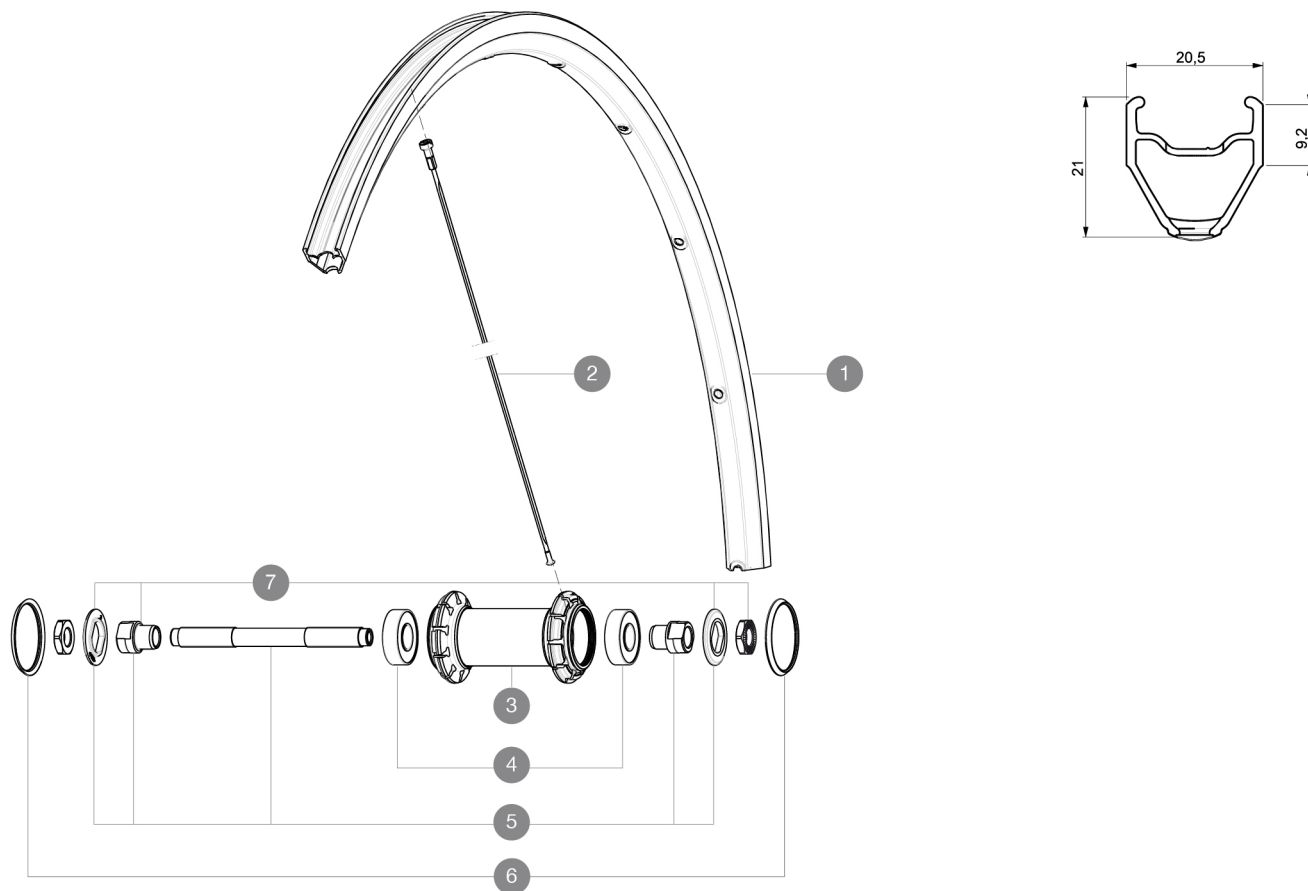


ASTM CATEGORY 2 : road and offroad with jumps less than 15cm
 For a longer longevity of the wheel, Mavic recommends that the total weight supported by the wheels doesn't exceed 120kg, bike included
 Recommended tyre sizes: 21 to 32 mm
 Max. Pressure: 25/28mm 7.7 bars - 110 PSI

参照ホイール

F35101 Aksium Elite16Ft



RIMS



バルブ穴径 (MM) : 6,5 :

1	V2290715	KIT FRONT/REAR RIM AKSIUM ELITE
---	----------	---------------------------------

SPOKES

2	V4160101	Kit 10 stainless spokes 285 Ft Ksyrium Equipe S/Ft & NDS Aks
2	10844901	KIT 10 FT KSYRIUM EQ S/FT+NDS AKSIUM SPK 285mm - while stock

HUB SHELLS

3	N/A	HUB BODY
4	M40318	HUB BEARING KIT 6001
5	99603701	FRONT AXLE QRM ROAD 2008
6	N/A	HUB BODY
7	99603801	SHORT EXPENSIBLE BEARING SUPPORTS > 2008



Aksium Elite

付属品

BR101 quick releases	
Rim tape	
BR101 quick releases	
User guide	
Rim tape	
User guide	

Specifications

リム

- Material : S6000 Aluminum
- Height : 21 mm
- Joint : sleeved
- Drilling : traditional with H2 reinforcement
- Brake track : UB Control
- Valve hole diameter : 6.5 mm
- Tyre : clincher
- Material : S6000 Aluminum
- Height : 21 mm
- ETRTO size : 622x15C
- Recommended tyre sizes : 21 to 32 mm
- Joint : sleeved
- Drilling : traditional with H2 reinforcement
- Brake track : UB Control
- Valve hole diameter : 6.5 mm
- Tyre : clincher
- ETRTO size : 622x15C

スポーク

- Material : steel
- Shape : straight pull, bladed
- Nipples : brass, ABS
- Count : 20 front and rear
- Lacing : radial front and rear non-drive side, crossed 2 rear drive side
- Material : steel
- Shape : straight pull, bladed
- Nipples : steel, ABS
- Count : 20 front and rear
- Lacing : radial front and rear non-drive side, crossed 2 rear drive side

ホイールハブ

- Front and rear bodies : aluminum
- Axle material : steel
- Sealed cartridge bearings
- Freewheel : FTS-L steel
- Front and rear bodies : aluminum
- Axle material : steel
- Sealed cartridge bearings
- Freewheel : FTS-L steel

ホイールの重み

ホイール重量 (クイックリリースおよびクリンチャー/チューブラーを除く) (g) : 800