

ASTM CATEGORY 1 : road only

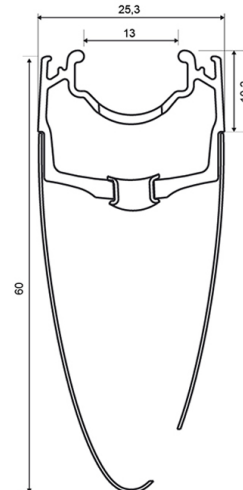
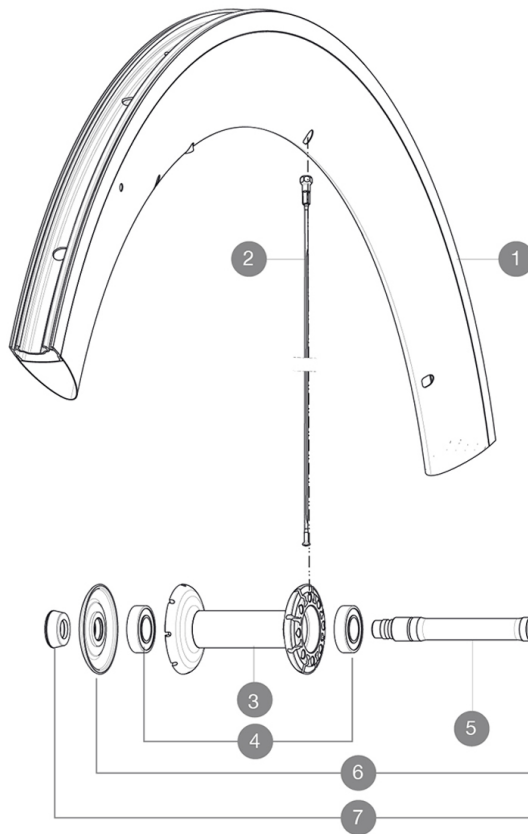
For a longer longevity of the wheel, Mavic recommends that the total weight supported by the wheels doesn't exceed 120kg, bike included

Recommended tyre size: 23 mm

Max. Pressure: 23mm 8.7 bars - 125 psi

参照ホイール

F33101 CXRUH60C16Ft



RIMS



バルブ穴径 (MM) : 6,5 :

1	V2403710	FRONT RIM CXR60C MY16
---	----------	-----------------------

SPOKES

2	32976801	10 BLK AERO SPOKES FRONT/NON DRIVE SIDE CXR 60 C 289mm
---	----------	--

HUB SHELLS

3	N/A	HUB BODY
4	M40078	FRONT HUB 6901 BEARINGS
5	30870001	FRONT AXLE ROAD RIM BRAKING QRM +
6	32985701	HUB CAP & ADJUST.NUT CXR 80

ADAPTERS

7	35117301	FRONT OR REAR FORK REST KIT R-SYS 2013
---	----------	--

MAVIC CXR Ultimate 60 C

付属品

BR601 quick releases	
Rim tape	
BR601 quick releases	
CXR specific Exalith brake pads	
Valve extender	
Multifunction adjustment wrench	
CXR specific Exalith brake pads	
User guide	
Valve extender	
Rim tape	
Multifunction adjustment wrench	
User guide	

Specifications

リム

- Material : Maxtal and 12K carbon fiber
- Height : 60 mm, Width 27 mm with CX01 groves
- Joint : SUP
- Drilling : traditional
- Brake track : Exalith 2
- Material : Maxtal and 12K carbon fiber
- Weight reduction : ISM
- Valve hole diameter : 6.5 mm
- Tyre : clincher
- ETRTO size : 622x13C
- Recommended tyre size : 23 mm
- Height : 60 mm, Width 27 mm with CX01 groves
- Joint : SUP
- Drilling : traditional
- Brake track : Exalith 2
- Weight reduction : ISM
- Valve hole diameter : 6.5 mm
- Tyre : clincher
- ETRTO size : 622x13C

スポーク

- Material : steel
- Shape : straight pull, bladed, double butted
- Nipples : aluminum, ABS
- Count : front 16, rear 20
- Material : steel

ホイールハブ

- Front and rear bodies : carbon center tube and aluminum flanges
- Axle material : aluminum
- Front and rear bodies : carbon center tube and aluminum flanges
- Adjustable sealed cartridge bearings
- Freewheel : FTS-L steel
- Axle material : aluminum
- Adjustable sealed cartridge bearings
- Freewheel : FTS-L steel

ホイールの重み

ホイール重量 (クイックリリースおよびクリンチャー/チューブラーを除く) (g) : 820