

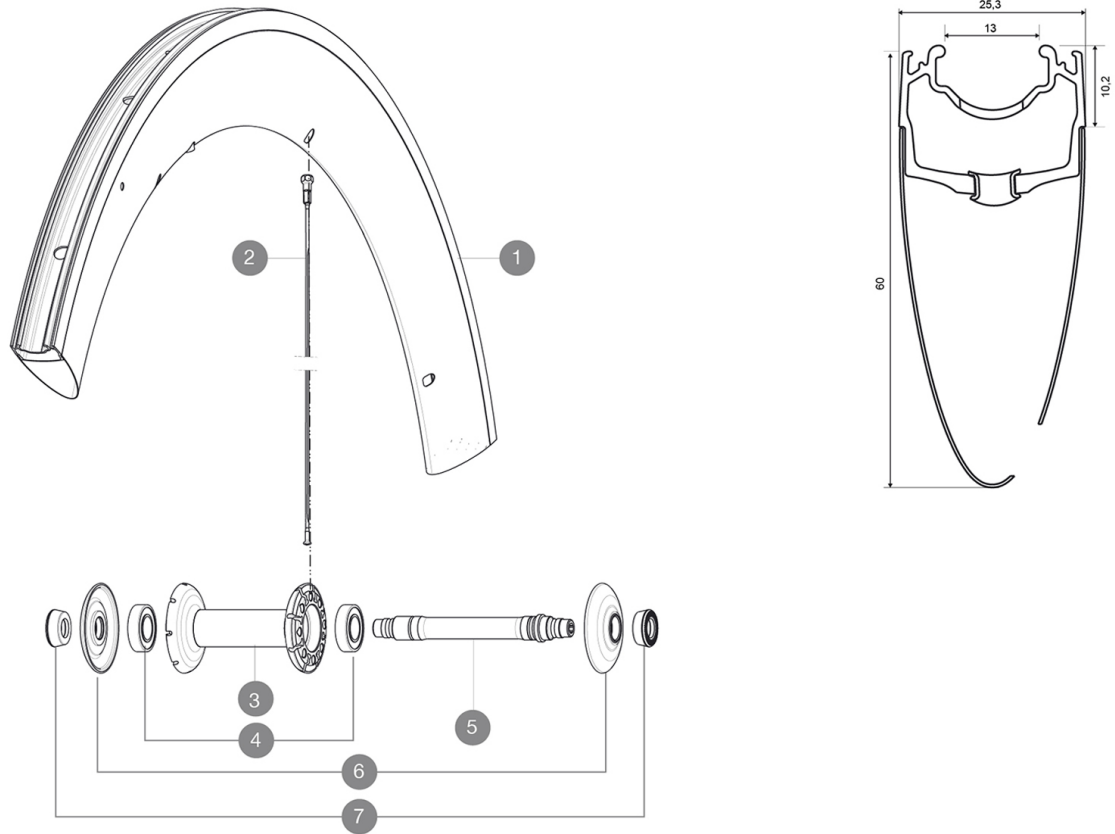
# MAVIC CXR Ultimate 60 C

1  
2016  
FRONT

ASTM CATEGORY 1 : road only  
Recommended weight limit : 120kg  
Recommended tyre size: 23 mm  
Max. Pressure: 23mm 8.7 bars - 125 psi

## REFERENCES WHEELS

F33101 CXRUlti60C16Ft



## RIMS



VALVE HOLE  $\bar{A}$  (MM): 6,5 :

|   |          |                           |
|---|----------|---------------------------|
| 1 | V2403710 | KIT FRONT RIM CXR60C 2016 |
|---|----------|---------------------------|

## SPOKES

|   |          |   |
|---|----------|---|
| 2 | 32976801 | KIT 10 AERO FT/NDS CXR 60 C BLK SPOKE 289mm |
|---|----------|---|

## HUB SHELLS

|   |          |                                   |
|---|----------|-----------------------------------|
| 3 | N/A      | HUB BODY                          |
| 4 | M40078   | FRONT HUB BEARINGS 6901 x 2       |
| 5 | 30870001 | FRONT AXLE ROAD RIM BRAKING QRM + |
| 6 | 32985701 | HUB CAP & ADJUSTING NUT CXR 80    |

## ADAPTERS

|   |          |   |
|---|----------|---|
| 7 | 35117301 | FT/RR FORK REST R-SYS/CC ULTIMATE > 2013/KSY PRO CARB T |
|---|----------|---|

# MAVIC CXR Ultimate 60 C

## DELIVERED WITH

|                                 |  |
|---------------------------------|--|
| BR601 quick releases            |  |
| Rim tape                        |  |
| BR601 quick releases            |  |
| CXR specific Exalith brake pads |  |
| Valve extender                  |  |
| Multifonction adjustment wrench |  |
| CXR specific Exalith brake pads |  |
| User guide                      |  |
| Valve extender                  |  |
| Rim tape                        |  |
| Multifonction adjustment wrench |  |
| User guide                      |  |

## Specifications

### RIMS

- **Material** : Mactal and 12K carbon fiber
- **Height** : 60 mm, Width 27 mm with CX01 groves
- **Joint** : SUP
- **Drilling** : traditional
- **Brake track** : Exalith 2
- **Material** : Mactal and 12K carbon fiber
- **Weight reduction** : ISM
- **Valve hole diameter** : 6.5 mm
- **Tyre** : clincher
- **ETRTO size** : 622x13C
- **Recommended tyre size** : 23 mm
- **Height** : 60 mm, Width 27 mm with CX01 groves
- **Joint** : SUP
- **Drilling** : traditional
- **Brake track** : Exalith 2
- **Weight reduction** : ISM
- **Valve hole diameter** : 6.5 mm
- **Tyre** : clincher
- **ETRTO size** : 622x13C

### SPOKES

- **Material** : steel
- **Shape** : straight pull, bladed, double butted
- **Nipples** : aluminum, ABS
- **Count** : front 16, rear 20

### WHEEL HUB

- **Front and rear bodies** : carbon center tube and aluminum flanges
- **Front and rear bodies** : carbon center tube and aluminum flanges
- **Axle material** : aluminum
- Adjustable sealed cartridge bearings
- **Freewheel** : FTS-L steel
- **Axle material** : aluminum
- Adjustable sealed cartridge bearings
- **Freewheel** : FTS-L steel

### WHEEL WEIGHTS

Wheel weight 820