

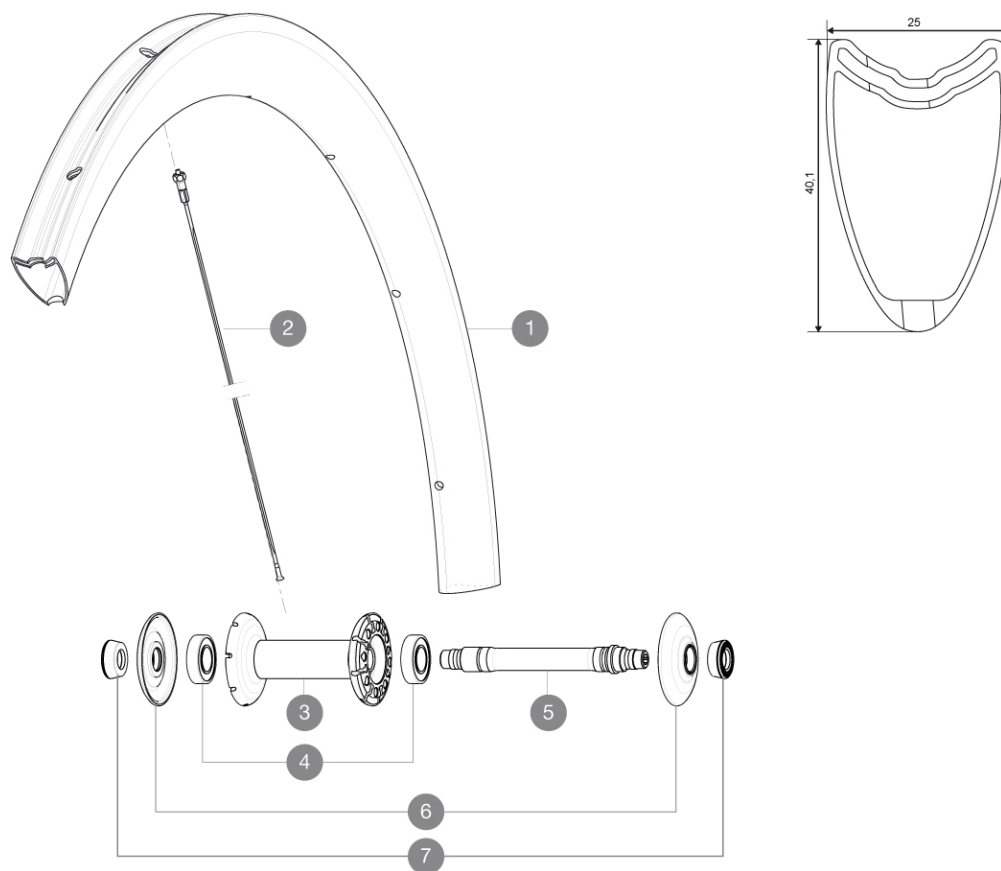
MAVIC Cosmic Carbone 40 T

1
2016
FRONT

ASTM CATEGORY 2 : road and offroad with jumps less than 15cm
Recommended weight limit : 120kg

REFERENCES WHEELS

F33501 CosmicCarb40TFt



RIMS



VALVE HOLE \bar{A} (MM): 6,5 :

| | | |
|---|----------|-----------------------------|
| 1 | 36645510 | KIT FRONT RIM CC 40 TUBULAR |
|---|----------|-----------------------------|

SPOKES

| | | |
|---|----------|--|
| 2 | 36645101 | KIT 10 AERO FT/NDS CC 40 T BLACK SPOKE 272mm |
|---|----------|--|

HUB SHELLS

| | | |
|---|----------|-----------------------------------|
| 3 | N/A | HUB BODY |
| 4 | M40078 | FRONT HUB BEARINGS 6901 x 2 |
| 5 | 30870001 | FRONT AXLE ROAD RIM BRAKING QRM + |
| 6 | 32985701 | HUB CAP & ADJUSTING NUT CXR 80 |

ADAPTERS

| | | |
|---|----------|---|
| 7 | 35117301 | FT/RR FORK REST R-SYS/CC ULTIMATE > 2013/KSY PRO CARB T |
|---|----------|---|

MAVIC *Cosmic Carbone 40 T***DELIVERED WITH**

| | |
|---------------------------------|--|
| BR601 quick releases | |
| Carbon brake pads | |
| Multifonction adjustment wrench | |
| User guide | |

Specifications**RIMS**

- **Material** : 100% Unidirectional carbon fiber
- **Height** : 40 mm
- **Drilling** : traditional
- **Brake track** : carbon
- **Valve hole diameter** : 6.5 mm
- **Tyre** : tubular
- **ETRTO size** : 28" tubular
- **Recommended tyre sizes** : 23 to 32 mm

SPOKES

- **Material** : steel
- **Shape** : straight pull, bladed, double butted
- **Nipples** : brass, ABS
- **Count** : front 16, rear 20
- **Lacing** : radial front and rear non-drive side, crossed 2 rear drive side

WHEEL HUB

- **Front and rear bodies** : carbon center tube and aluminum flanges
 - **Axle material** : aluminum
- Adjustable sealed cartridge bearings
- **Freewheel** : FTS-L steel

WHEEL WEIGHTS

Wheel weight 635