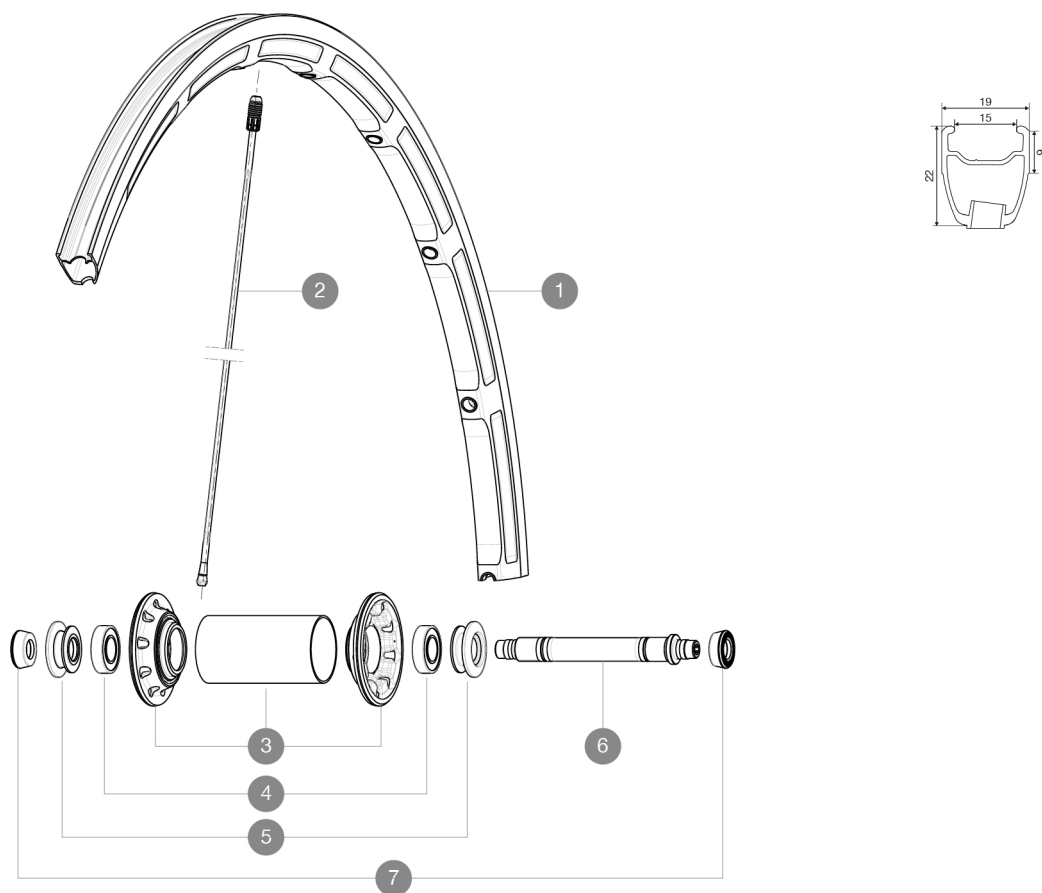


ASTM CATEGORY 1 : road only  
Recommended weight limit : 120kg

## REFERENCES WHEELS

F34501 KsyProExalithFt



## RIMS



VALVE HOLE  $\bar{A}$  (MM): 6.5 :

1 V2290310 KIT FRONT RIM KSYRIUM SLE

## SPOKES

2 33000301 KIT 10 FT KSYRIUM SLS C/T BLK SPK 283,5mm

## HUB SHELLS

3 N/A HUB BODY  
4 M40078 FRONT HUB BEARINGS 6901 x 2  
5 M40759 ADJUSTING BEARING NUT + FRONT CAP  
6 32999801 FRONT AXLE KIT R-SYS/KSYRIUM SL/SLS 2013

## ADAPTERS

7 35117301 FT/RR FORK REST R-SYS/CC ULTIMATE > 2013/KSY PRO CARB T

# MAVIC Ksyrium Pro Exalith

## DELIVERED WITH

BR601 quick releases	
Exalith brake pads	
Multifonction adjustment wrench	
User guide	

## Specifications

### RIMS

- **Material** : Mactal
- **Height** : front 22 mm, rear 25 mm asymmetrical
- **Joint** : SUP
- **Drilling** : Fore
- **Brake track** : Exalith 2
- **Weight reduction** : ISM 3D
- **Valve hole diameter** : 6.5 mm
- **Tyre** : clincher
- **ETRTO size** : 622x15C
- **Recommended tyre sizes** : 23 to 32 mm

### SPOKES

- **Material** : Zicral
- **Shape** : straight pull, bladed, front double butted
- **Nipples** : Fore integrated aluminum
- **Count** : front 18, rear 20
- **Lacing** : front radial, rear Isopulse

### WHEEL HUB

- **Front body** : carbon with aluminum flanges
  - **Rear body** : aluminum
  - **Axle material** : aluminum
- Adjustable sealed cartridge bearings
- **Freewheel** : FTS-L steel

### WHEEL WEIGHTS

Wheel weight 605