

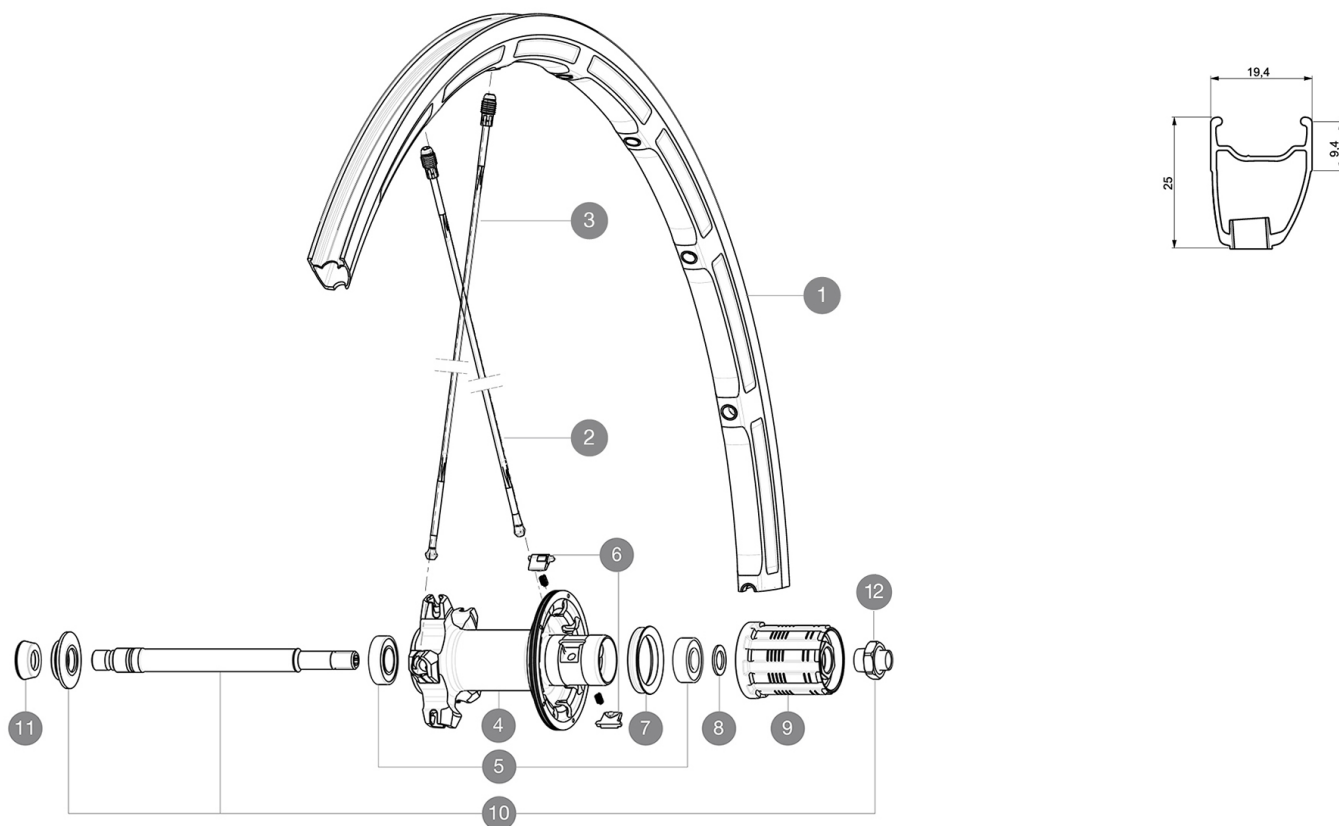
MAVIC Ksyrium Pro Exalith

1
2016
REAR

ASTM CATEGORY 1 : road only
Recommended weight limit : 120kg

REFERENCES WHEELS

R58501 KsyProExalithRr



RIMS



VALVE HOLE \bar{A} (MM): 6.5 :

| | | |
|---|----------|--------------------------|
| 1 | V2290413 | KIT REAR RIM KSYRIUM SLE |
|---|----------|--------------------------|

SPOKES

| | | |
|---|----------|---|
| 2 | 12030301 | KIT 10 DS KSYRIUM SL11 BLACK SPOKE 275mm |
| 3 | 12030401 | KIT 10 NDS KSYRIUM SL11 BLACK SPOKE 298mm |

HUB SHELLS

| | | |
|----|----------|--|
| 4 | N/A | HUB BODY |
| 5 | 33000001 | REAR HUB B9+6901 BEARINGS 2013 |
| 6 | M40578 | FTSL PAWLS KIT (ROAD WHEELS) |
| 7 | 99500001 | FTSL/FTSX FREEHUB BODY SEAL |
| 8 | 30872801 | SET OF 3 INTERNAL SILVER SPACERS 9mm FTS-L |
| 9 | 30871101 | FTS-L ROAD FREEWHEEL BODY HG11 8/9 compatible |
| 9 | 30871201 | FTS-L ROAD FREEWHEEL BODY ED11 8/9 compatible |
| 10 | V2250501 | KIT REAR AXLE KSYRIUM SLE/SLS/ELITE/PRO EXALITH/ALLROAD ELIT |
| 12 | V2373101 | KIT NUT FOR ROAD ALLOY THROUGH AXLE 9mm |

ADAPTERS

| | | |
|----|----------|---|
| 11 | 35117301 | FT/RR FORK REST R-SYS/CC ULTIMATE > 2013/KSY PRO CARB T |
|----|----------|---|

MAVIC Ksyrium Pro Exalith

DELIVERED WITH

| | |
|---------------------------------|--|
| BR601 quick releases | |
| Exalith brake pads | |
| Multifonction adjustment wrench | |
| User guide | |

Specifications

RIMS

- **Material** : Mactal
- **Height** : front 22 mm, rear 25 mm asymmetrical
- **Joint** : SUP
- **Drilling** : Fore
- **Brake track** : Exalith 2
- **Weight reduction** : ISM 3D
- **Valve hole diameter** : 6.5 mm
- **Tyre** : clincher
- **ETRTO size** : 622x15C
- **Recommended tyre sizes** : 23 to 32 mm

SPOKES

- **Material** : Zicral
- **Shape** : straight pull, bladed, front double butted
- **Nipples** : Fore integrated aluminum
- **Count** : front 18, rear 20
- **Lacing** : front radial, rear Isopulse

WHEEL HUB

- **Front body** : carbon with aluminum flanges
 - **Rear body** : aluminum
 - **Axle material** : aluminum
- Adjustable sealed cartridge bearings
- **Freewheel** : FTS-L steel

WHEEL WEIGHTS

Wheel weight 790