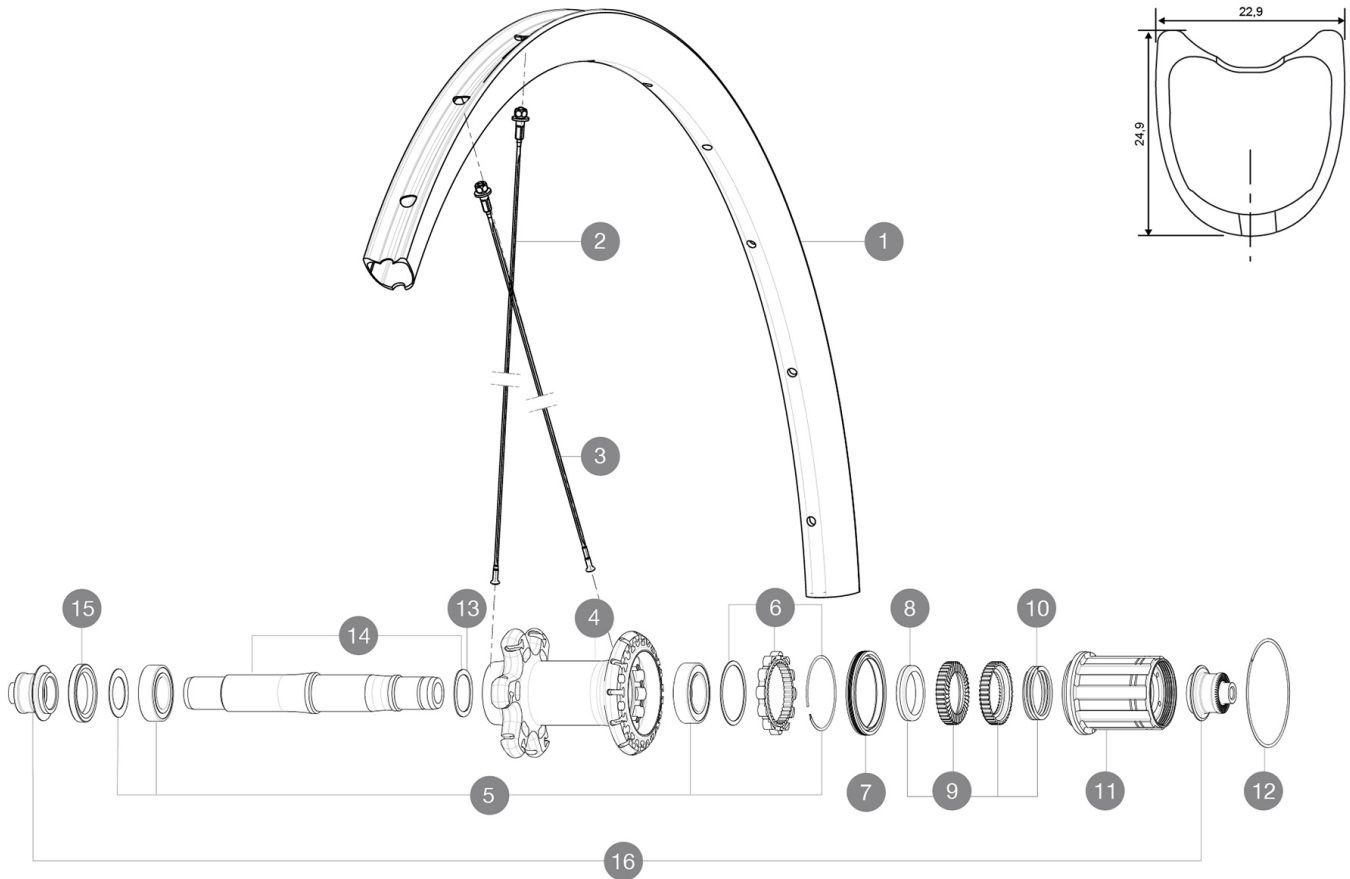


MAVIC Ksyrium Pro Carbon SL T

ASTM CATEGORY 2 : road and offroad with jumps less than 15cm
 Recommended weight limit : 120kg
 Recommended tyre sizes: 23 to 32 mm
 Recommended tyre sizes: 25 to 52 mm
 Max. Pressure: 23mm 8.7 bars - 125 psi, 25/28mm 7.7 bars - 110 psi
 Max. Pressure: 25mm 7.7 bars - 110 PSI

REFERENCES WHEELS

R62801 KProCarb SL T Rr



RIMS



VALVE HOLE \bar{A} (MM): 6,5 :

1	V2738613	KIT REAR RIM KSYRIUM PRO CARBON SL T 19
1	V2403213	KIT RR RIM KSYRIUM PRO CARBON SL TUB. - while stock last

SPOKES

2	V2271501	KIT 12 FT KSY PRO CARB SL D/NDS KSY PRO CARB SL SPK 291mm -
2	V3663301	KIT 12 FRT KSYR PRO CARB SL UST Disc + NDS KSYR PRO CARB SL
3	V2271401	KIT 12 DS KSYRIUM PRO CARB SL T SPOKE 273mm - while stock la
3	V3663201	KIT 12 DS KSY PRO CARB SL UST/UST Disc/C Disc/T Disc BUTTED

HUB SHELLS

4	N/A	HUB BODY
5	V2560101	KIT ID360 BEARINGS 15/26/7 + 17/28/7
6	V2252701	KIT ID360 INSERT SHAPED EAR LOBE > 2017
7	V2251601	KIT ID360 SEAL + GREASE
8	V2500501	KIT ID360 3 PADS NOISE REDUCING
9	V2251701	KIT ID360 2 RATCHETS + SPRING + GREASE
10	V2251801	KIT 3 ID360 ROAD SPRINGS
11	V3430101	HG11 Freewheel Body ID360
12	V2252201	KIT 2 REAR HUB RETENTION RINGS 48mm
13	V2251501	KIT 3 ID360 WAVE WASHERS
14	V2251201	KIT ID360 AXLE UB

15 V2250901 KIT ID360 HUB THREADED CAP for UB model (small)

TYRES

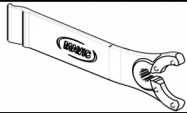
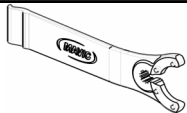
17 37804625 Yksion ProPowerTub SSC

ADAPTERS

16 B4989401 ADAPTER Rr 9mm QR ID360 (6bolt)

MAVIC Ksyrium Pro Carbon SL T

DELIVERED WITH

BR601 quick releases	
BR601 quick releases	
BR601 quick releases	
Carbon brake pads	
Carbon brake pads	
Carbon brake pads	
User guide	
Multifunction adjustment wrench (325 423 01) 1	
Multifunction adjustment wrench (325 423 01) 1	
User guide	
User guide	

COMPATIBILITY

Freewheel: Shimano/Sram or Campagnolo, convertible to XD-R with optional driver body	
Freewheel: Shimano/Sram, convertible to Campagnolo and XD-R with optional driver bodies	
Front axle: Quick Release only	
Front axle: Quick Release only	
Rear axle: Quick Release only	
Rear axle: Quick Release only	

Specifications

RIMS

- **Material** : 100% woven 3K carbon fiber
- **Height** : 25mm
- **Drilling** : traditional
- **Material** : 3K carbon fibers
- **Material** : 3K carbon fibers
- **Brake track** : carbon with TgMAX technology
- **Valve hole diameter** : 6.5 mm
- **Tyre** : tubular
- **ETRTO size** : 28" tubular
- **Height** : 25mm
- **Height** : 25mm
- **Recommended tyre sizes** : 25 to 52 mm
- **Drilling** : traditional
- **Drilling** : traditional
- **Brake track** : carbon with TgMAX technology
- **Brake track** : carbon with TgMAX technology
- **Brake track** : carbon
- **Valve hole diameter** : 6.5 mm
- **Valve hole diameter** : 6.5 mm
- **Tyre** : tubular
- **Tyre** : tubular
- **ETRTO size** : 28" tubular
- **ETRTO size** : 28" tubular

SPOKES

- **Material** : steel
- **Shape** : straight pull, bladed, double butted
- **Nipples** : aluminum, ABS
- **Count** : front 18, rear 24
- **Material** : steel

WHEEL HUB

- **Front and rear bodies** : aluminum
- **Axle material** : aluminum
- Sealed cartridge bearings
- **Freewheel** : Instant Drive 360
- **Front and rear bodies** : aluminum
- **Front and rear bodies** : aluminum
- **Axle material** : aluminum
- **Axle material** : aluminum
- **Front bearings** : adjustable sealed cartridge bearings (QRM+), Rear bearings auto adjust sealed cartridge bearings (QRM Auto)
- Sealed cartridge bearings
- **Freewheel** : Instant Drive 360
- **Freewheel** : Instant Drive 360

VERSIONS

- **Color** : Black only
- **Color** : Black only

WHEEL WEIGHTS

Wheel weight 675