

ASTM CATEGORY 3 : offroad with jumps less than 61cm

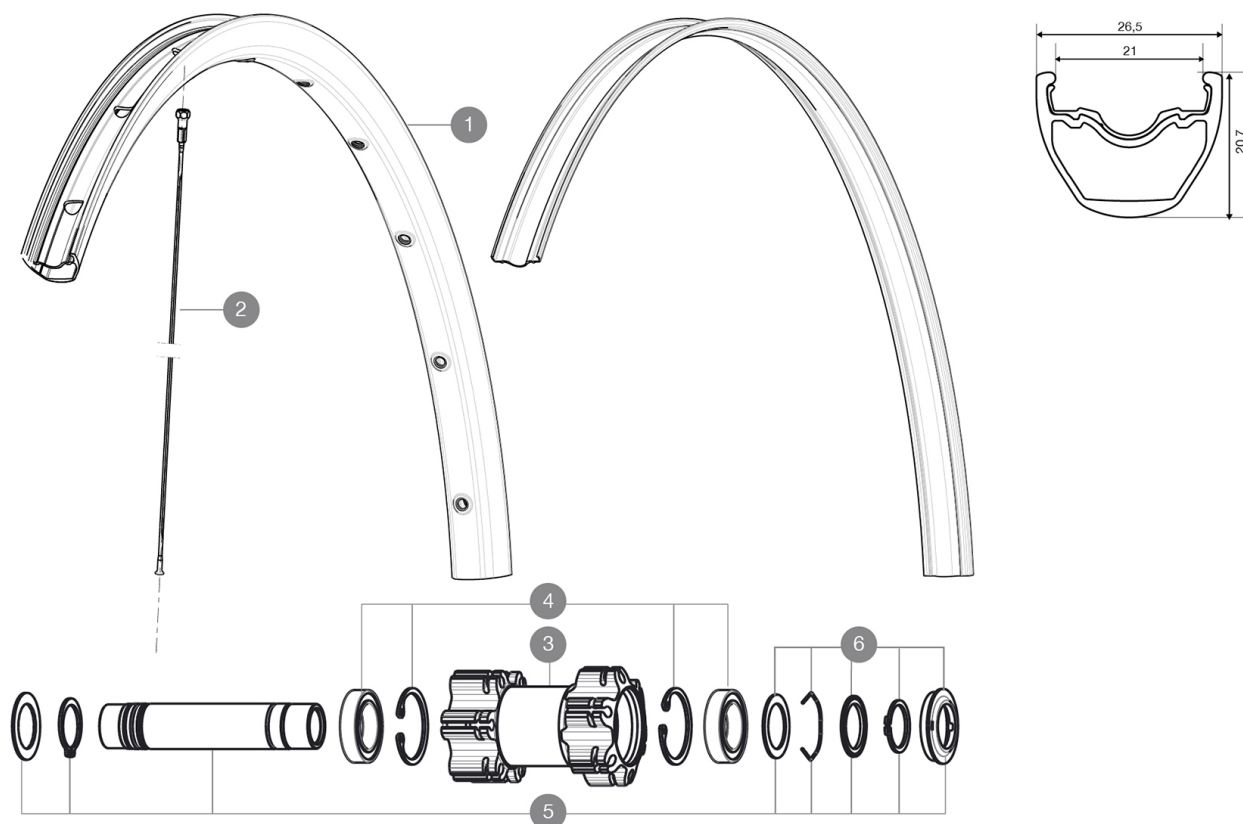
For a longer longevity of the wheel, Mavic recommends that the total weight supported by the wheels don't exceed 120kg, bike included

参照ホイール

F36101 XRide UST Pulse29FtWTS

F71531

XrdUSTPulse29Ft Boost WTS



RIMS



バルブ穴径 (MM) : 6,5 :

1	V2314315	RIM CROSSRIDE TUBELESS 29
	V2190101	UST RIM STRIP 29x21c

SPOKES

2	36689601	"12 SPOKES DRIVE SIDE CROSSROC 29"" 293mm"
---	----------	--


HUB SHELLS

3	N/A	HUB BODY
4	99688501	BEARING KIT 9/15 D6T HUB
5	V2370101	KIT FRONT AXLE 15MM CROSSONE/-RIDE/-ROC - while stock last
5	V2371101	KIT FRONT QRM AXLE 100mm/BOOST 110mm
6	V2370301	FRONT AUTO ADJUST.PLAY KIT 15MM AXLE

MAVIC

CrossRide Tubeless Pulse 29

付属品

1 bottle of Mavic Sealant	
1 bottle of Mavic Sealant	
Tubeless rim tape	
Rim tape	
UST valve and accessories	
Rear QR adapters	
Rear 12x142mm adapters	
Valve reducer	
User guide	
Rear 12x142mm adapters for ITS4 and TS2 (308 593 01 for ITS4, 329 650 01 for TS2) 1	
Rim tape	
User guide	

COMPATIBILITY

Freewheel: Shimano/Sram, convertible to XD with optional driver body	
Front axle: convertible from 15mm thru axle to Quick Release with optional adapters	
Rear axle: 12mm thru axle, convertible to Quick Release with optional adapters	

Specifications

リム

- Material : S6000 Aluminum
- Joint : sleeved
- Drilling : traditional with H2 reinforcement
- Disc brake specific profile
- Valve hole diameter : 8,5 mm with pop off reducer
- Tyre : UST Tubeless and tubetype
- Internal width : 21 mm
- ETRTO size 26" : 559x21C
- ETRTO size 27.5" : 584x21C
- ETRTO size 29" : 622x21C
- ETRTO recommended tyre sizes : 35mm to 69mm (1.4" to 2.7")
- Joint : sleeved
- Drilling : traditional
- Disc brake specific profile
- Valve hole diameter : 8,5 mm with pop off reducer
- Tyre : tubetype
- Internal width : 21 mm
- ETRTO size 26" : 559x21C
- ETRTO size 27.5" : 584x21C
- ETRTO size 29" : 622x21C

スポーク

- Material : steel
- Shape : straight pull, bladed, double butted
- Nipples : brass, ABS

ホイールハブ

- Front and rear bodies : aluminum
- Axle material : aluminum
- Sealed cartridge bearings
- Freewheel : TS-2 alloy
- Shimano 11 speeds compatible
- Front and rear bodies : aluminum
- Sram XD Compatible (XX1-X01) with optionnal kit
- Freewheel : TS-2 alloy

VERSIONS

- Color : Black only
- Disc standard : 6 Bolts only
- Hub width : Boost (front 110, rear 148) or Non-Boost (front 100, rear 135/142)

ホイールの重み

- ホイール重量 (クイックリリースおよびクリンチャーチューブラーを除く) (g) :
- Weight Front 26": 850
 - Weight Front 27.5": 880
 - Weight Front 29": 930