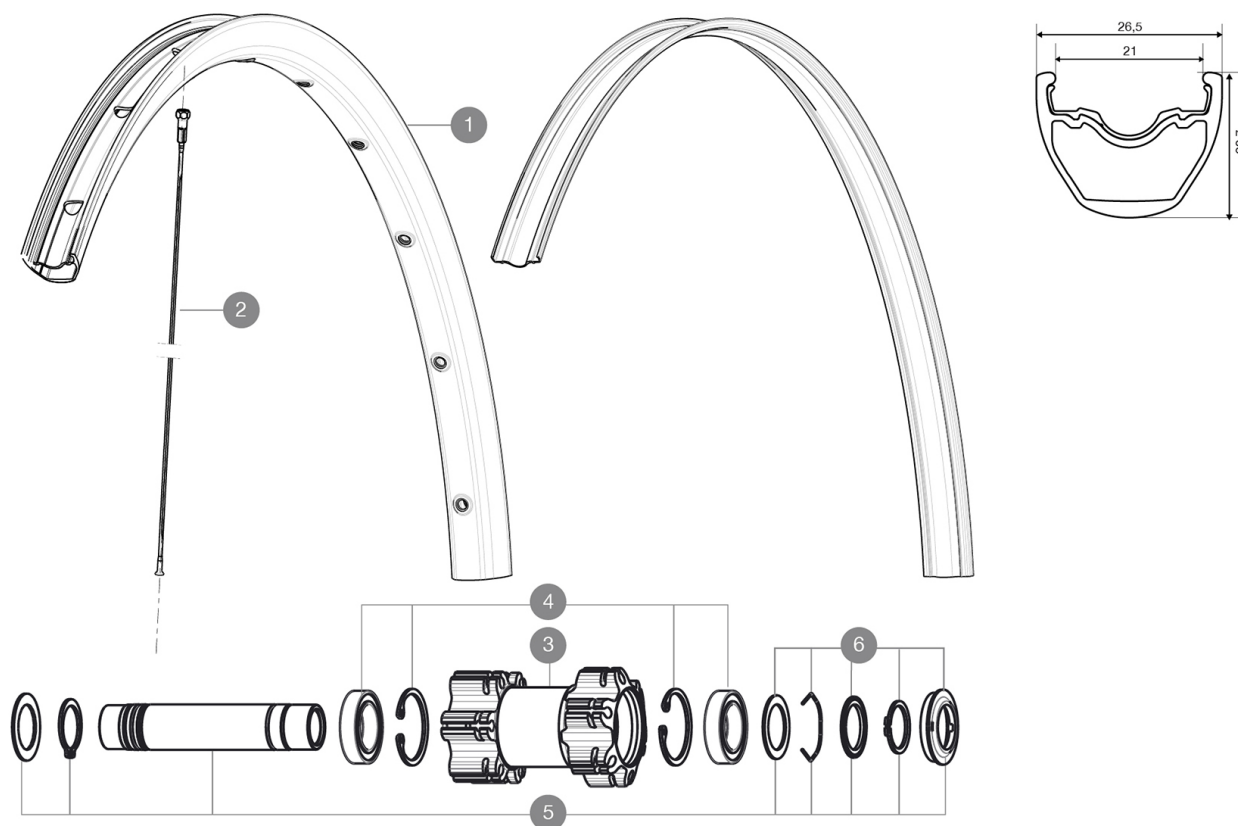


ASTM CATEGORY 3 : offroad with jumps less than 61cm
Recommended weight limit : 120kg

REFERENCES WHEELS

F36101 X Ride UST Pulse29FTWTS

F71531 XrdUSTPulse29ft Boost WTS



RIMS



VALVE HOLE (MM): 6,5 :

1	V2314315	KIT FRONT/REAR RIM CROSSRIDE TUBELESS 29"
	V2190101	UST RIM STRIP 29x21c

SPOKES


2	36689601	"KIT 12 DS CROSSROC/XRIDE UST/XMAX ELITE/XA ELITE 29"" SPK 2
---	----------	--

HUB SHELLS

3	N/A	HUB BODY
4	99688501	BEARING KIT 9/12/15 D6T HUB 20x32x7 6804
5	V2370101	KIT FRONT AXLE 15MM CROSSONE/-RIDE/-ROC - while stock last
5	V2371101	KIT FRONT QRM AXLE 100mm/BOOST 110mm
6	V2370301	KIT FRONT AUTO ADJUSTING PLAY 15mm AXLE

MAVIC CrossRide Tubeless Pulse 29

DELIVERED WITH

1 bottle of Mavic Sealant	
1 bottle of Mavic Sealant	
Tubeless rim tape	
Rim tape	
UST valve and accessories	
Rear QR adapters	
Rear 12x142mm adapters	
Valve reducer	
User guide	
Rear 12x142mm adapters for ITS4 and TS2 (308 593 01 for ITS4, 329 650 01 for TS2) 1	
Rim tape	
User guide	

COMPATIBILITY

Freewheel: Shimano/Sram, convertible to XD with optional driver body	
Front axle: convertible from 15mm thru axle to Quick Release with optional adapters	
Rear axle: 12mm thru axle, convertible to Quick Release with optional adapters	

Specifications

RIMS

- **Material** : S6000 Aluminum
 - **Joint** : sleeved
 - **Drilling** : traditional with H2 reinforcement
- Disc brake specific profile
- **Valve hole diameter** : 8,5 mm with pop off reducer
 - **Tyre** : UST Tubeless and tubetype
 - **Internal width** : 21 mm
 - **ETRTO size 26"** : 559x21C
 - **ETRTO size 27.5"** : 584x21C
 - **ETRTO size 29"** : 622x21C
 - **ETRTO recommended tyre sizes** : 35mm to 69mm (1.4" to 2.7")
 - **Joint** : sleeved
 - **Drilling** : traditional
- Disc brake specific profile
- **Valve hole diameter** : 8,5 mm with pop off reducer
 - **Tire** : tubetype
 - **Internal width** : 21 mm
 - **ETRTO size 26"** : 559x21C
 - **ETRTO size 27.5"** : 584x21C
 - **ETRTO size 29"** : 622x21C

WHEEL HUB

- **Front and rear bodies** : aluminum
 - **Axle material** : aluminum
- Sealed cartridge bearings
- **Freewheel** : TS-2 alloy
- Shimano 11 speeds compatible
- **Front and rear bodies** : aluminum
- Sram XD Compatible (XX1-X01) with optionnal kit
- **Freewheel** : TS-2 alloy

VERSIONS

- **Color** : Black only
- **Disc standard** : 6 Bolts only
- **Hub width** : Boost (front 110, rear 148) or Non-Boost (front 100, rear 135/142)

WHEEL WEIGHTS

- Wheel weight
- Weight Front 26" : 850
- Weight Front 27.5" : 880
- Weight Front 29" : 930

SPOKES