

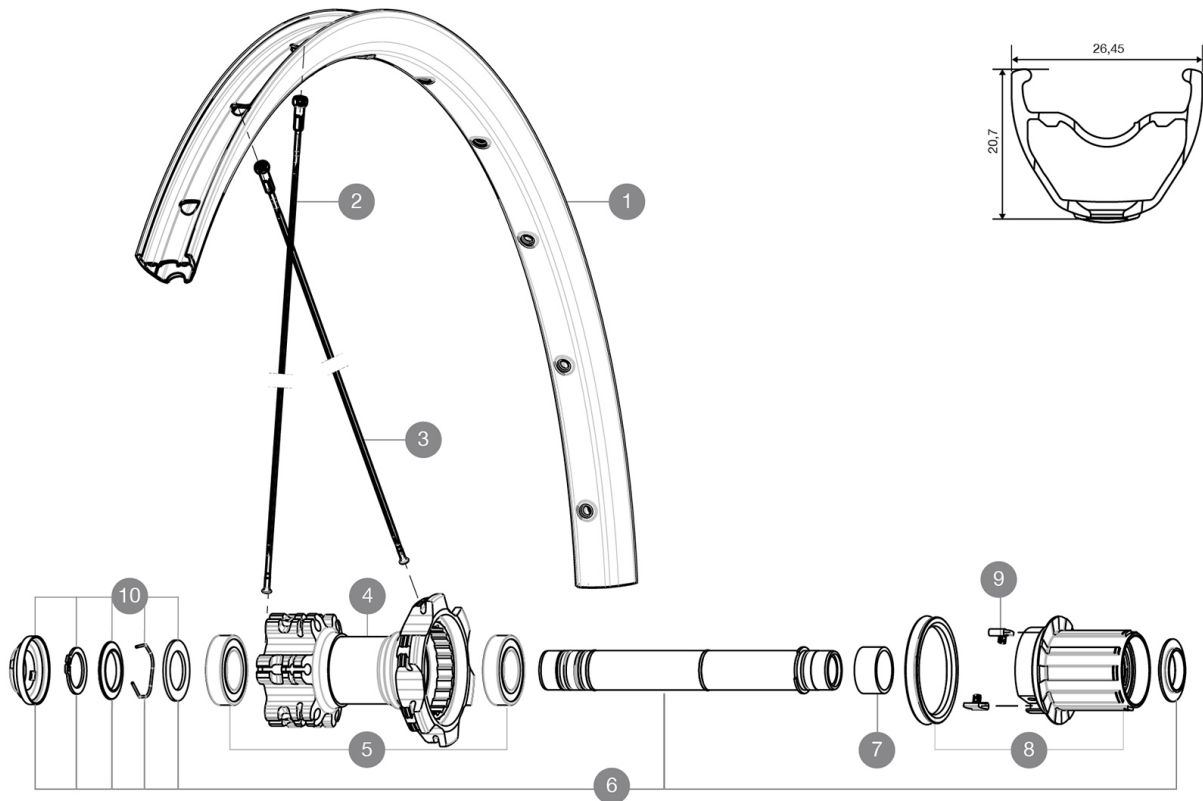
**MAVIC** *Crossride Light WTS 29*

ASTM CATEGORY 3 : offroad with jumps less than 61cm  
Recommended weight limit : 120kg

**REFERENCES WHEELS**

R61001 Xride Light29Rr WTS

R99151 XrdLight29Rr Boost WTS

**RIMS**

☑ VALVE HOLE (MM): 8,5 WITH POP OFF REDUCER :

1	V2314615	"KIT FRONT/REAR RIM CROSSRIDE LIGHT 29""
---	----------	--

**SPOKES**



2	V2382701	KIT 12 DS CROSSRIDE LIGHT 29" SPOKE 295mm
---	----------	---

**HUB SHELLS**

4	N/A	HUB BODY
5	M40076	HUB BEARINGS 17x30x7 6903 x 2
6	V2371201	KIT REAR QRM AXLE 135-142 / BOOST 148mm
7	35124501	SET OF 3 REAR AXLE/FREEWHEEL BODY SPACERS MTB L1
8	35126301	TS-2 FREEWHEEL BODY + SEAL 2013 (NO PAWLS) - while stock las
9	N/A	HUB BODY
10	V2370401	KIT REAR AUTO ADJUSTING PLAY 12mm AXLE

# MAVIC Crossride Light WTS 29

## DELIVERED WITH

Rim tape	
Rear 12x142mm adapters	
User guide	
Front QR adapters (996 941 01 for MTB or B41 043 01 for road) 1	
Rear 12x142mm adapters for ITS4 and TS2 (308 593 01 for ITS4, 329 650 01 for TS2) 1	
Rim tape	
User guide	

## COMPATIBILITY

Freewheel: Shimano/Sram, convertible to XD with optional driver body	
Front axle: convertible from 15mm thru axle to Quick Release with included adapters	
Front axle: convertible from 15mm thru axle to Quick Release with optional adapters	
Rear axle: 12mm thru axle, convertible to Quick Release with optional adapters	

## Specifications

### RIMS

- **Joint** : sleeved
  - **Drilling** : traditional
- Disc brake specific profile
- **Valve hole diameter** : 8,5 mm with pop off reducer
  - **Tyre** : tubetype
  - **Internal width** : 21 mm
  - **ETRTO size 26"** : 559x21C
  - **ETRTO size 27.5"** : 584x21C
  - **ETRTO size 29"** : 622x21C
  - **Joint** : sleeved
  - **Drilling** : traditional
- Disc brake specific profile
- **Valve hole diameter** : 8,5 mm with pop off reducer
  - **Tyre** : tubetype
  - **Internal width** : 21 mm
  - **ETRTO size 26"** : 559x21C
  - **ETRTO size 27.5"** : 584x21C
  - **ETRTO size 29"** : 622x21C

### SPOKES

- **Material** : steel
- **Shape** : straight pull, bladed, double butted
- **Nipples** : brass, ABS
- **Count** : 24 front and rear
- **Lacing** : front and rear crossed 2
- **Material** : steel
- **Shape** : straight pull, bladed, double butted
- **Nipples** : steel, ABS
- **Count** : 24 front and rear
- **Lacing** : front and rear crossed 2

### WHEEL HUB

- **Freewheel** : TS-2 alloy
- **Front and rear bodies** : aluminum
- **Freewheel** : TS-2 alloy

### VERSIONS

- **Color** : Black only
- **Disc standard** : 6 Bolts only
- **Hub width** : Boost (front 110, rear 148) or Non-Boost (front 100, rear 135/142)

### WHEEL WEIGHTS

- **Wheel weight**
- **Weight Rear 26"**: 970
- **Weight Rear 27.5"**: 1000
- **Weight Rear 29"**: 1050