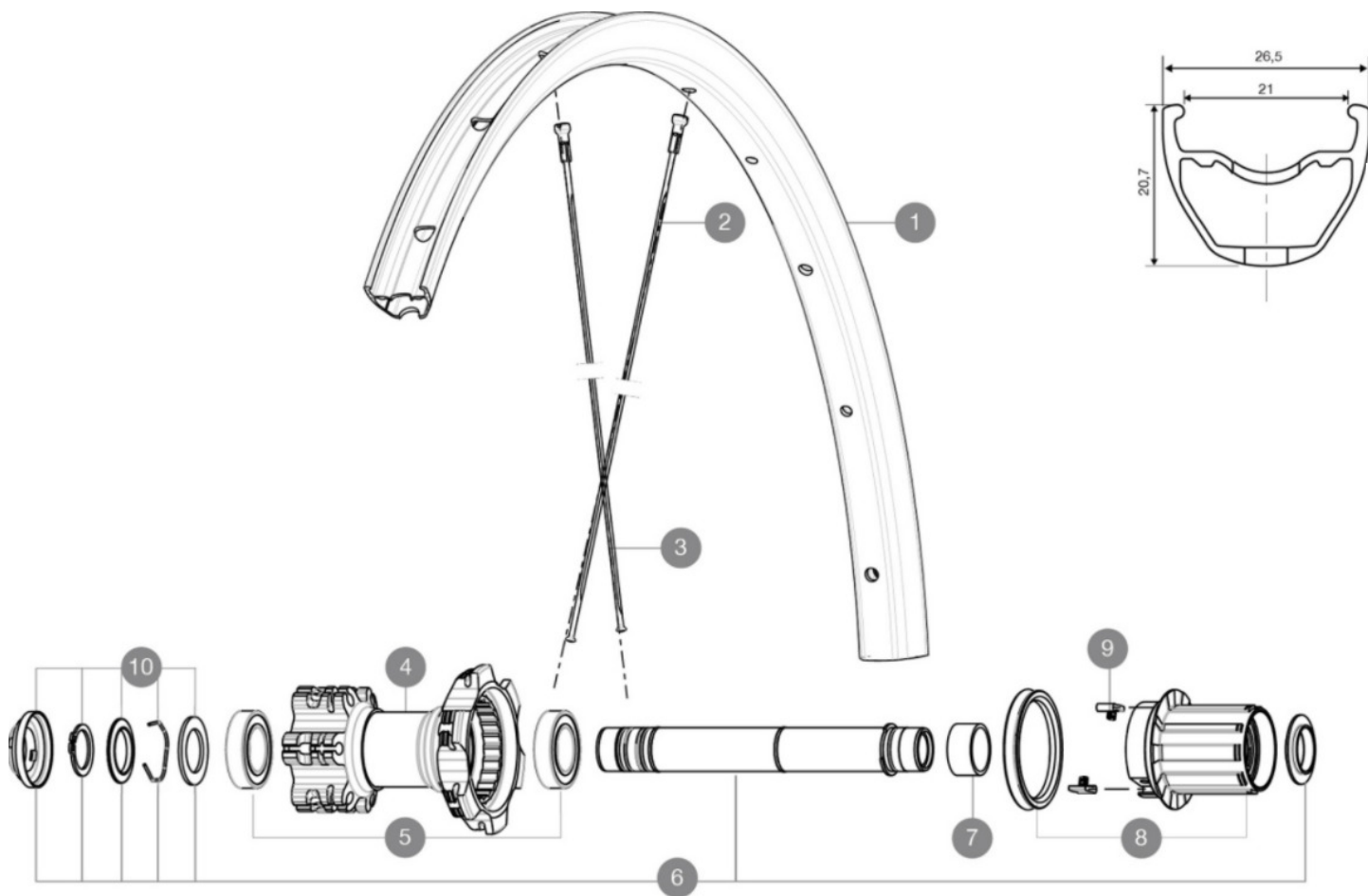


ASTM CATEGORY 3 : offroad with jumps less than 61cm  
Recommended weight limit : 120kg  
ETRTO recommended tyre sizes: 35mm to 69mm (1.4" to 2.7")

## REFERENCES WHEELS

R52701 Xride16Rr29 R97131 Xrd 16 29 Rr Boost



## RIMS



VALVE HOLE (MM): 8,5 WITH POP OFF REDUCER :

|   |          |   |
|---|----------|---|
| 1 | V2314915 | "KIT FRT/RR RIM CROSSRIDE/CROSSRIDE FTSX 29"" |
|---|----------|---|

## SPOKES



|   |          |  |
|---|----------|--|
| 2 | V2382301 | KIT 12 DS XRIDE + FTSX/NDS XMAX EL/XA EL 29" SPK 297mm       |
| 3 | V3664501 | KIT 12 FRT/NDS AKSIUM ELITE UST Disc/KSYRIUM UST Disc FLAT S |

## HUB SHELLS

|    |          |  |
|----|----------|--|
| 4  | N/A      | HUB BODY   |
| 5  | M40076   | HUB BEARINGS 17x30x7 6903 x 2                                |
| 6  | V2371201 | KIT REAR QRM AXLE 135-142 / BOOST 148mm                      |
| 7  | 35124501 | SET OF 3 REAR AXLE/FREEWHEEL BODY SPACERS MTB L1             |
| 8  | 35126301 | TS-2 FREEWHEEL BODY + SEAL 2013 (NO PAWLS) - while stock las |
| 9  | 99610601 | PAWLS KIT FOR ITS-4 (OR TS-2)                                |
| 10 | V2370401 | KIT REAR AUTO ADJUSTING PLAY 12mm AXLE                       |

# MAVIC Crossride 29

## DELIVERED WITH

|   |   |
|---|---|
| BR101 quick releases  |   |
| Rim tape  |   |
| Front QR adapters   |   |
| Rear QR adapters  |   |
| BR101 quick releases  |   |
| BR101 quick releases  |   |
| Rear 12x142mm adapters  |   |
| Valve reducer   |   |
| User guide  |   |
| Front QR adapters   |   |
| Front QR adapters   |   |
| Rear 12x142mm adapters for ITS4 and TS2<br>(308 593 01 for ITS4, 329 650 01 for TS2)<br>1 |  |
| Rear 12x142mm adapters for ITS4 and TS2<br>(308 593 01 for ITS4, 329 650 01 for TS2)<br>1 |  |
| Valve reducer   |   |
| Valve reducer   |   |
| Rim tape  |   |
| Rim tape  |   |
| User guide  |   |

## COMPATIBILITY

|   |  |
|---|--|
| Freewheel: Shimano/Sram, convertible to XD with optional driver body                |  |
| Freewheel: Shimano/Sram, convertible to XD with optional driver body                |  |
| Front axle: convertible from 15mm thru axle to Quick Release with included adapters |  |
| Front axle: convertible from 15mm thru axle to Quick Release with included adapters |  |
| Rear axle: 12mm thru axle, convertible to Quick Release with optional adapters      |  |