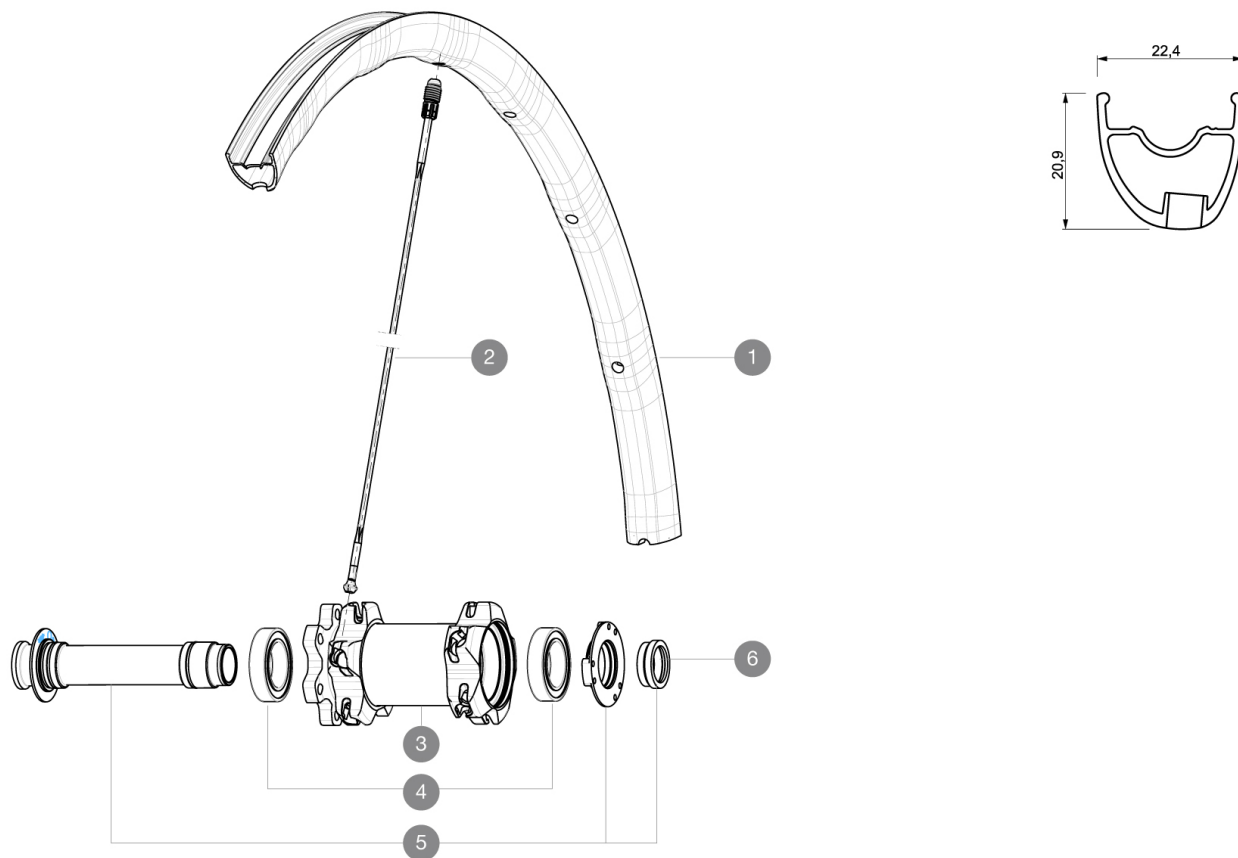


参照ホイール

F42101 XmaxSLPro26FtNT Black



RIMS



バルブ穴径 (MM) : 6.5 :

1	V2310110	KIT FRONT RIM CROSSMAX SL 2015 26"
---	----------	------------------------------------

SPOKES

2	30864201	11 SPOKES M7/7 BLK FRT/OPP.DRV CROSSMAX SLR 12 269mm
---	----------	--

HUB SHELLS

3	N/A	HUB BODY
4	99688501	BEARING KIT 9/15 D6T HUB
5	99688201	9/15 D6T HUB FRONT AXLE
6	10846501	FRONT FORK SUPPORT FOR 15mm AXLE

MAVIC

Crossmax SL Pro 26

付属品

BX601 quick releases	
UST valve and accessories	
Front 15 mm adapters	
Rear QR adapters	
Rear 12x142mm adapters	
Specific disc bolts	
Computer magnet (front wheel)	
Multifunction adjustment wrench	
User guide	

Specifications

リム

- Material : Maxtal
 - Joint : SUP
 - Drilling : Fore
- Disc brake specific profile
- Weight reduction : ISM 4D
 - Valve hole diameter : 6.5 mm
 - Tyre : UST Tubeless and tubetype
 - Internal width : 19 mm
 - ETRTO size 26" : 559x19C
 - ETRTO size 650b/27.5" : 584x19C
 - ETRTO size 29" : 622x19C
 - ETRTO recommended tyre sizes : 28mm to 62mm (1.1" to 2.5")

スポーク

- Material : Zicral
- Shape : straight pull, bladed
- Nipples : Fore integrated aluminum
- Count : 20 front and rear
- Lacing : front crossed 2, rear Isopulse

ホイールハブ

- Front body : carbon with aluminum flanges
 - Rear body : aluminum
 - Axle material : aluminum
- Adjustable sealed cartridge bearings
- Freewheel : ITS-4 alloy
- Shimano 11 speeds compatible
Sram XD Compatible (XX1-X01) with optionnal kit

ホイールの重み

- ホイール重量 (クイックリリースおよびクリンチャー/チューブラーを除く) (g) :
- Weight Front 26": 630
Weight Front 27.5": 665
Weight Front 29": 690