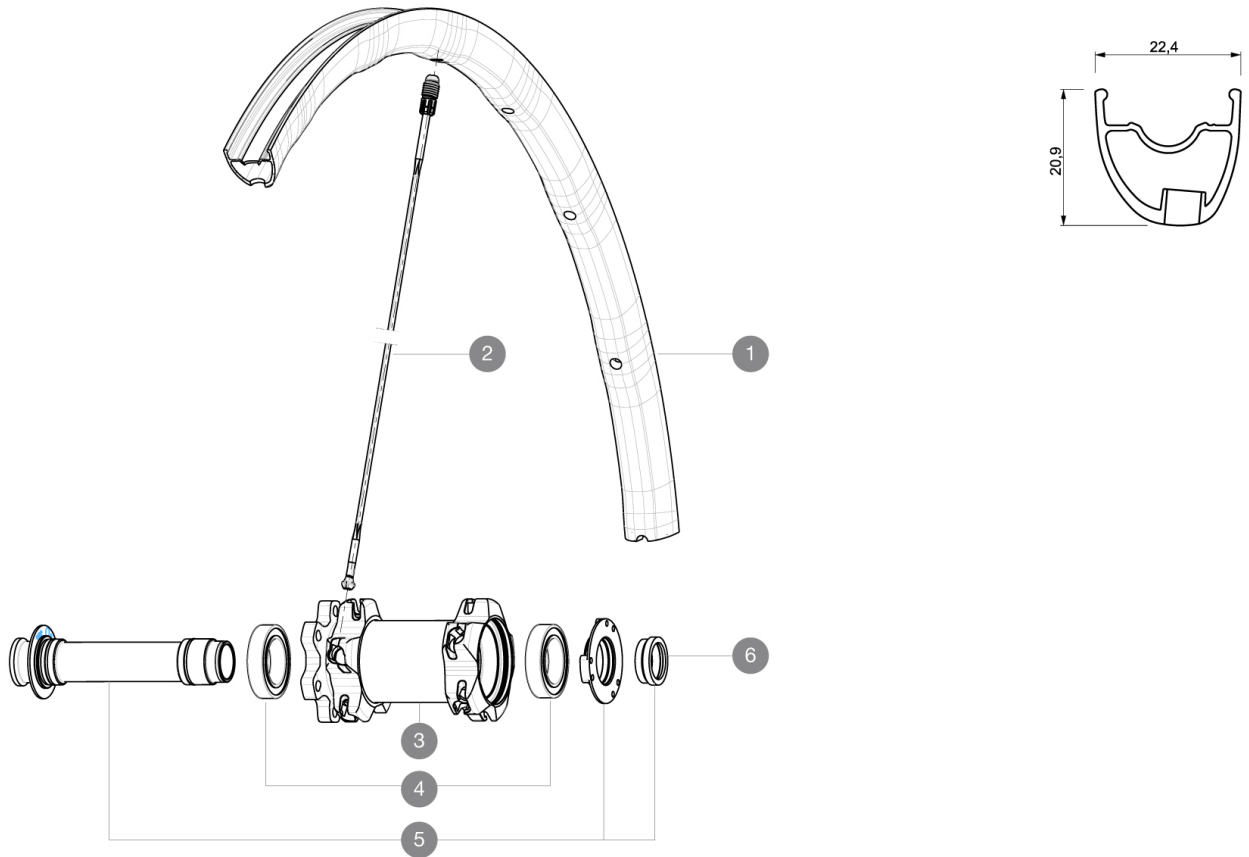


## REFERENCES WHEELS

F42101 XmaxSLPro26FRNT Black



### RIMS



VALVE HOLE (MM): 6,5 :

|   |          |  |
|---|----------|--|
| 1 | V2310110 | KIT FRONT RIM CROSSMAX SL/SL PRO BLACK 26" |
|---|----------|--|

### SPOKES

|   |          |  |
|---|----------|--|
| 2 | 30864201 | KIT 10 FT/NDS M7/7 CROSSMAX SLR 12 SPK 269mm |
|---|----------|--|

### HUB SHELLS

|   |          |   |
|---|----------|---|
| 3 | N/A      | HUB BODY                                      |
| 4 | 99688501 | BEARING KIT 9/12/15 D6T HUB 20x32x7 6804      |
| 5 | 99688201 | 9/15 6B FRT AXLE CROSSMAX/KSY PRO CARBON SL C |
| 6 | 10846501 | FRONT FORK SUPPORT FOR 15mm AXLE              |

# MAVIC Crossmax SL Pro 26

## DELIVERED WITH

|                                 |  |
|---------------------------------|--|
| BX601 quick releases            |  |
| UST valve and accessories       |  |
| Front 15 mm adapters            |  |
| Rear QR adapters                |  |
| Rear 12x142mm adapters          |  |
| Specific disc bolts             |  |
| Computer magnet (front wheel)   |  |
| Multifonction adjustment wrench |  |
| User guide                      |  |

## Specifications

### RIMS

- **Material** : Mactal
  - **Joint** : SUP
  - **Drilling** : Fore
- Disc brake specific profile
- **Weight reduction** : ISM 4D
  - **Valve hole diameter** : 6.5 mm
  - **Tyre** : UST Tubeless and tubetype
  - **Internal width** : 19 mm
  - **ETRTO size 26"** : 559x19C
  - **ETRTO size 650b/27.5"** : 584x19C
  - **ETRTO size 29"** : 622x19C
  - **ETRTO recommended tyre sizes** : 28mm to 62mm (1.1" to 2.5")

### SPOKES

- **Material** : Zicral
- **Shape** : straight pull, bladed
- **Nipples** : Fore integrated aluminum
- **Count** : 20 front and rear
- **Lacing** : front crossed 2, rear Isopulse

### WHEEL HUB

- **Front body** : carbon with aluminum flanges
  - **Rear body** : aluminum
  - **Axle material** : aluminum
- Adjustable sealed cartridge bearings
- **Freewheel** : ITS-4 alloy
- Shimano 11 speeds compatible  
Sram XD Compatible (XX1-X01) with optional kit

### WHEEL WEIGHTS

Wheel weight  
 Weight Front 26": 630  
 Weight Front 27.5": 665  
 Weight Front 29": 690