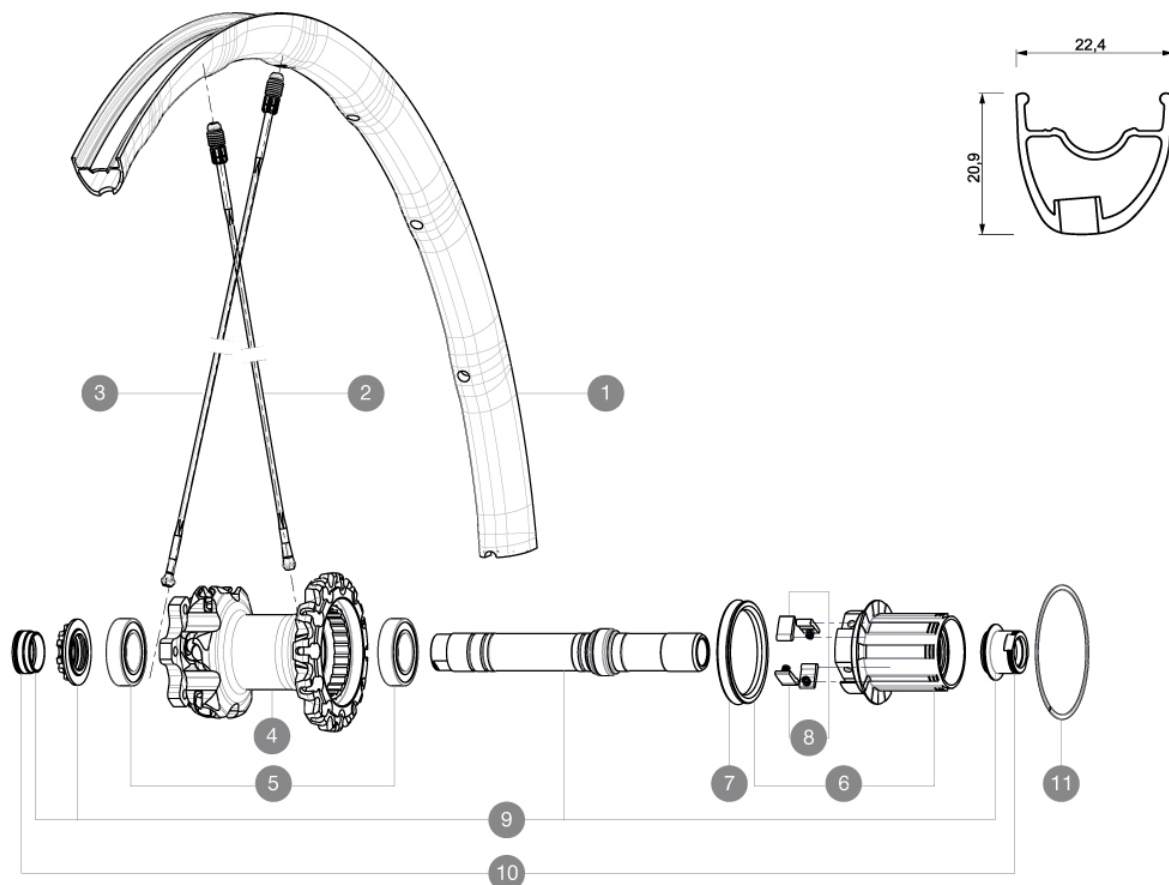


参照ホイール

R68001 XmaxSLPro26RrNT Black



RIMS



バルブ穴径 (MM) : 6,5 :

1	V2310413	KIT REAR RIM CROSSMAX SL 2015 26"
---	----------	-----------------------------------

SPOKES

2	30864101	10 SPOKES M7/7 BLK DRV CROSSMAX SLR 12 239mm
3	30864201	11 SPOKES M7/7 BLK FRT/OPP.DRV CROSSMAX SLR 12 269mm

HUB SHELLS

4	N/A	HUB BODY
5	M40076	HUB BEARINGS 17x30x7 6903 x 2
6	35126001	ITS-4 FREEWHEEL BODY + SEAL 2013 (WITHOUT PAWLS)
7	99610701	ITS4 SEAL
8	99610601	ITS4 PAWLS KIT
9	30870401	REAR AXLE KIT ITS4 135mm D6T/DCL 2012
11	30871801	ELASTIC RING 56mm diam.

ADAPTERS

10	30872201	FORK REST ITS-4 135mm REAR AXLE > 2012
----	----------	--



Crossmax SL Pro 26

付属品

BX601 quick releases	
UST valve and accessories	
Front 15 mm adapters	
Rear QR adapters	
Rear 12x142mm adapters	
Specific disc bolts	
Computer magnet (front wheel)	
Multifunction adjustment wrench	
User guide	

Specifications

リム

- Material : Maxtal
- Joint : SUP
- Drilling : Fore
- Disc brake specific profile
- Weight reduction : ISM 4D
- Valve hole diameter : 6.5 mm
- Tyre : UST Tubeless and tubetype
- Internal width : 19 mm
- ETRTO size 26" : 559x19C
- ETRTO size 650b/27.5" : 584x19C
- ETRTO size 29" : 622x19C
- ETRTO recommended tyre sizes : 28mm to 62mm (1.1" to 2.5")

スポーク

- Material : Zicral
- Shape : straight pull, bladed
- Nipples : Fore integrated aluminum
- Count : 20 front and rear
- Lacing : front crossed 2, rear Isopulse

ホイールハブ

- Front body : carbon with aluminum flanges
- Rear body : aluminum
- Axle material : aluminum
- Adjustable sealed cartridge bearings
- Freewheel : ITS-4 alloy
- Shimano 11 speeds compatible
- Sram XD Compatible (XX1-X01) with optionnal kit

ホイールの重み

- ホイール重量 (クイックリリースおよびクリンチャー/チューブラーを除く) (g) :
- Weight Rear 26": 760
 - Weight Rear 27.5": 805
 - Weight Rear 29": 830