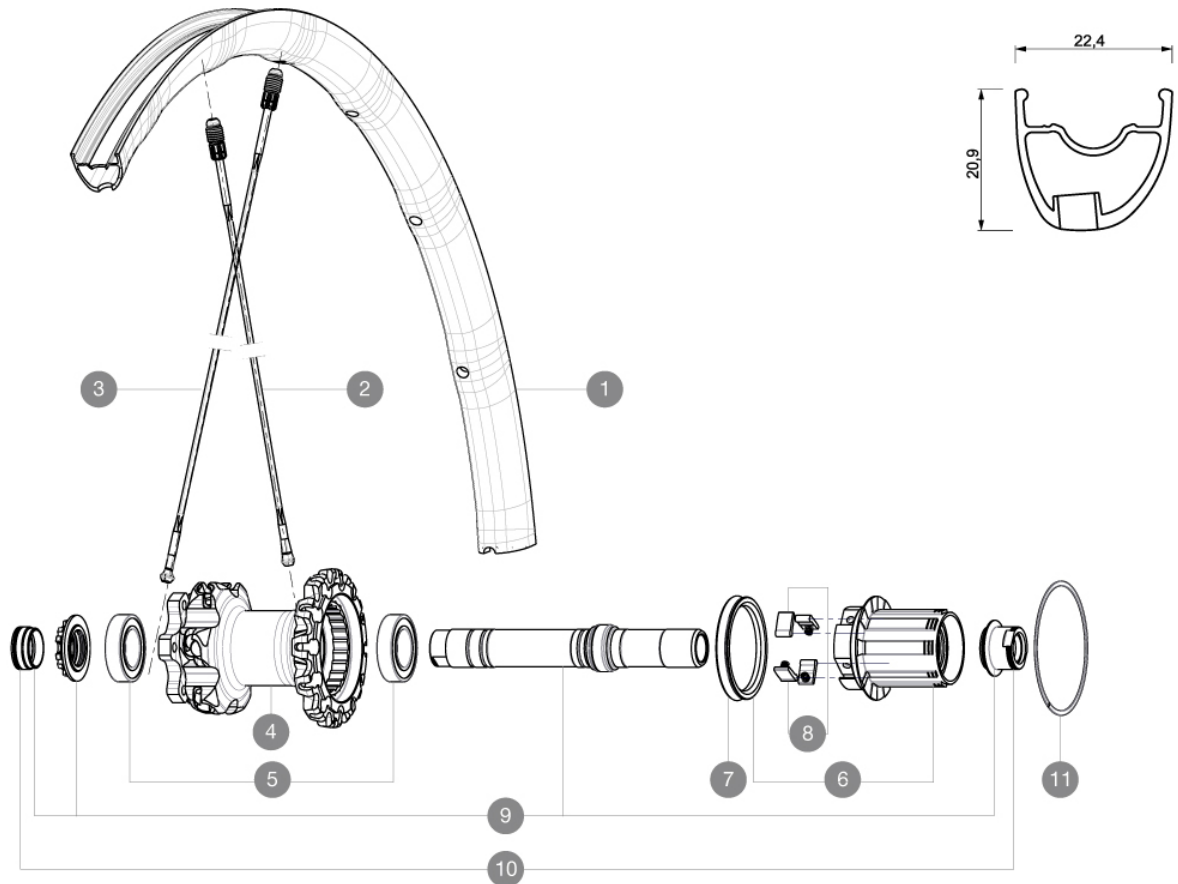


REFERENCES WHEELS

R68001 XmaxSLPro26RrNT Black



RIMS



VALVE HOLE (MM): 6,5 :

1 V2310413 KIT REAR RIM CROSSMAX SL/SL PRO BLACK 26"

SPOKES

2 30864101 KIT 10 DS M7/7 CROSSMAX SLR 12 SPK 239mm
3 30864201 KIT 10 FT/NDS M7/7 CROSSMAX SLR 12 SPK 269mm

HUB SHELLS

4 N/A HUB BODY
5 M40076 HUB BEARINGS 17x30x7 6903 x 2
6 35126001 ITS-4 FREEWHEEL BODY + SEAL 2013 (NO PAWLS)
7 99610701 ITS-4 FREEWHEEL SEAL
8 99610601 PAWLS KIT FOR ITS-4 (OR TS-2)
9 30870401 REAR QRM + AXLE KIT ITS4 135mm from 2012
11 30871801 ELASTIC RING 56mm diam. ITS-4 20 SPOKES

ADAPTERS

10 30872201 FRAME SUPPORT ITS-4 135mm REAR AXLE > 2012

MAVIC *Crossmax SL Pro 26***DELIVERED WITH**

BX601 quick releases	
UST valve and accessories	
Front 15 mm adapters	
Rear QR adapters	
Rear 12x142mm adapters	
Specific disc bolts	
Computer magnet (front wheel)	
Multifonction adjustment wrench	
User guide	

Specifications**RIMS**

- **Material** : Mactal
 - **Joint** : SUP
 - **Drilling** : Fore
- Disc brake specific profile
- **Weight reduction** : ISM 4D
 - **Valve hole diameter** : 6.5 mm
 - **Tyre** : UST Tubeless and tubetype
 - **Internal width** : 19 mm
 - **ETRTO size 26"** : 559x19C
 - **ETRTO size 650b/27.5"** : 584x19C
 - **ETRTO size 29"** : 622x19C
 - **ETRTO recommended tyre sizes** : 28mm to 62mm (1.1" to 2.5")

SPOKES

- **Material** : Zicral
- **Shape** : straight pull, bladed
- **Nipples** : Fore integrated aluminum
- **Count** : 20 front and rear
- **Lacing** : front crossed 2, rear Isopulse

WHEEL HUB

- **Front body** : carbon with aluminum flanges
 - **Rear body** : aluminum
 - **Axle material** : aluminum
- Adjustable sealed cartridge bearings
- **Freewheel** : ITS-4 alloy
- Shimano 11 speeds compatible
Sram XD Compatible (XX1-X01) with optional kit

WHEEL WEIGHTS

Wheel weight
 Weight Rear 26": 760
 Weight Rear 27.5": 805
 Weight Rear 29": 830