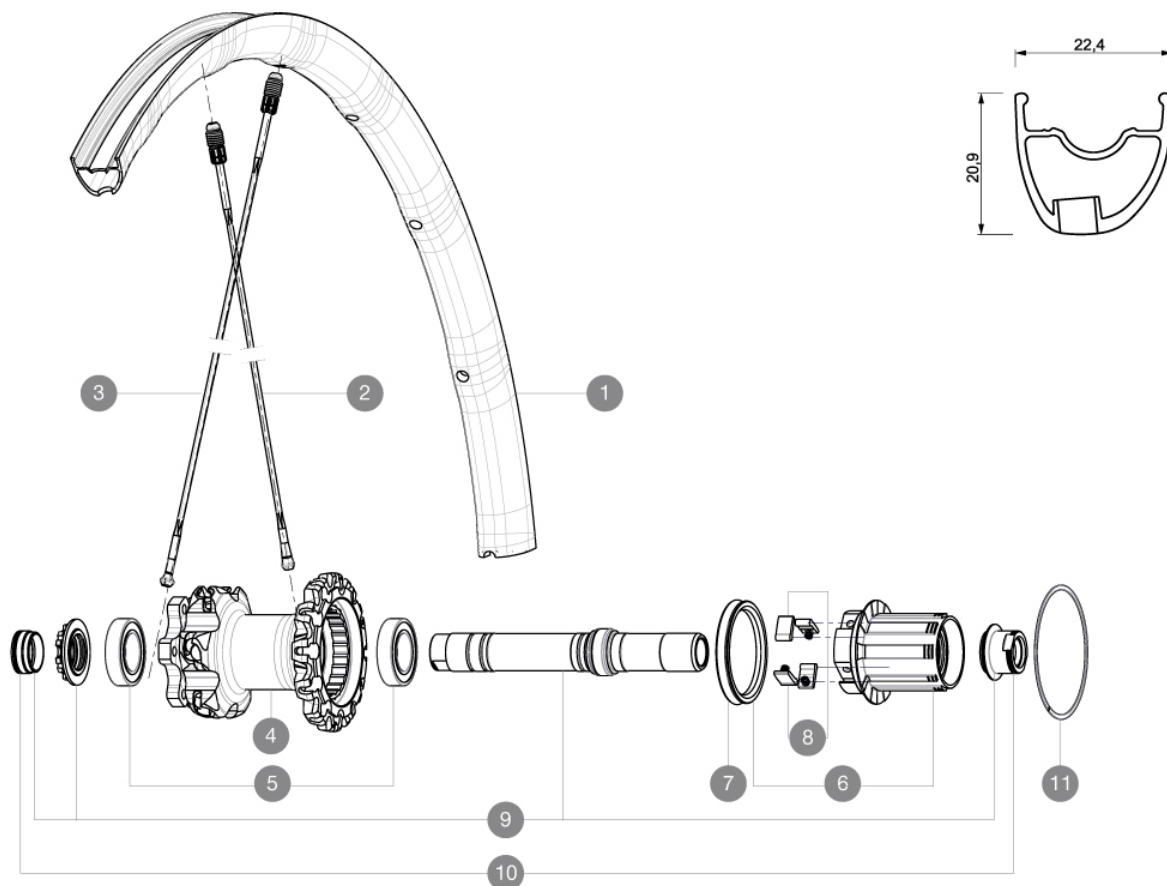


REFERENCES WHEELS

R68001 XmaxSLPro26RrNT Black



RIMS



VALVE HOLE (MM): 6,5 :

| | | |
|---|----------|---|
| 1 | V2310413 | KIT REAR RIM CROSSMAX SL/SL PRO BLACK 26" |
|---|----------|---|

SPOKES

| | | |
|---|----------|--|
| 2 | 30864101 | KIT 10 DS M7/7 CROSSMAX SLR 12 SPK 239mm |
| 3 | 30864201 | KIT 10 FT/NDS M7/7 CROSSMAX SLR 12 SPK 269mm |

HUB SHELLS

| | | |
|----|----------|---|
| 4 | N/A | HUB BODY |
| 5 | M40076 | HUB BEARINGS 17x30x7 6903 x 2 |
| 6 | 35126001 | ITS-4 FREEWHEEL BODY + SEAL 2013 (NO PAWLS) |
| 7 | 99610701 | ITS-4 FREEWHEEL SEAL |
| 8 | 99610601 | PAWLS KIT FOR ITS-4 (OR TS-2) |
| 9 | 30870401 | REAR QRM + AXLE KIT ITS4 135mm from 2012 |
| 11 | 30871801 | ELASTIC RING 56mm diam. ITS-4 20 SPOKES |

ADAPTERS

| | | |
|----|----------|--|
| 10 | 30872201 | FRAME SUPPORT ITS-4 135mm REAR AXLE > 2012 |
|----|----------|--|

MAVIC *Crossmax SL Pro 26***DELIVERED WITH**

| | |
|---------------------------------|--|
| BX601 quick releases | |
| UST valve and accessories | |
| Front 15 mm adapters | |
| Rear QR adapters | |
| Rear 12x142mm adapters | |
| Specific disc bolts | |
| Computer magnet (front wheel) | |
| Multifonction adjustment wrench | |
| User guide | |

Specifications**RIMS**

- **Material** : Mactal
 - **Joint** : SUP
 - **Drilling** : Fore
- Disc brake specific profile
- **Weight reduction** : ISM 4D
 - **Valve hole diameter** : 6.5 mm
 - **Tyre** : UST Tubeless and tubetype
 - **Internal width** : 19 mm
 - **ETRTO size 26"** : 559x19C
 - **ETRTO size 650b/27.5"** : 584x19C
 - **ETRTO size 29"** : 622x19C
 - **ETRTO recommended tyre sizes** : 28mm to 62mm (1.1" to 2.5")

SPOKES

- **Material** : Zicral
- **Shape** : straight pull, bladed
- **Nipples** : Fore integrated aluminum
- **Count** : 20 front and rear
- **Lacing** : front crossed 2, rear Isopulse

WHEEL HUB

- **Front body** : carbon with aluminum flanges
 - **Rear body** : aluminum
 - **Axle material** : aluminum
- Adjustable sealed cartridge bearings
- **Freewheel** : ITS-4 alloy
- Shimano 11 speeds compatible
Sram XD Compatible (XX1-X01) with optional kit

WHEEL WEIGHTS

Wheel weight
 Weight Rear 26": 760
 Weight Rear 27.5": 805
 Weight Rear 29": 830