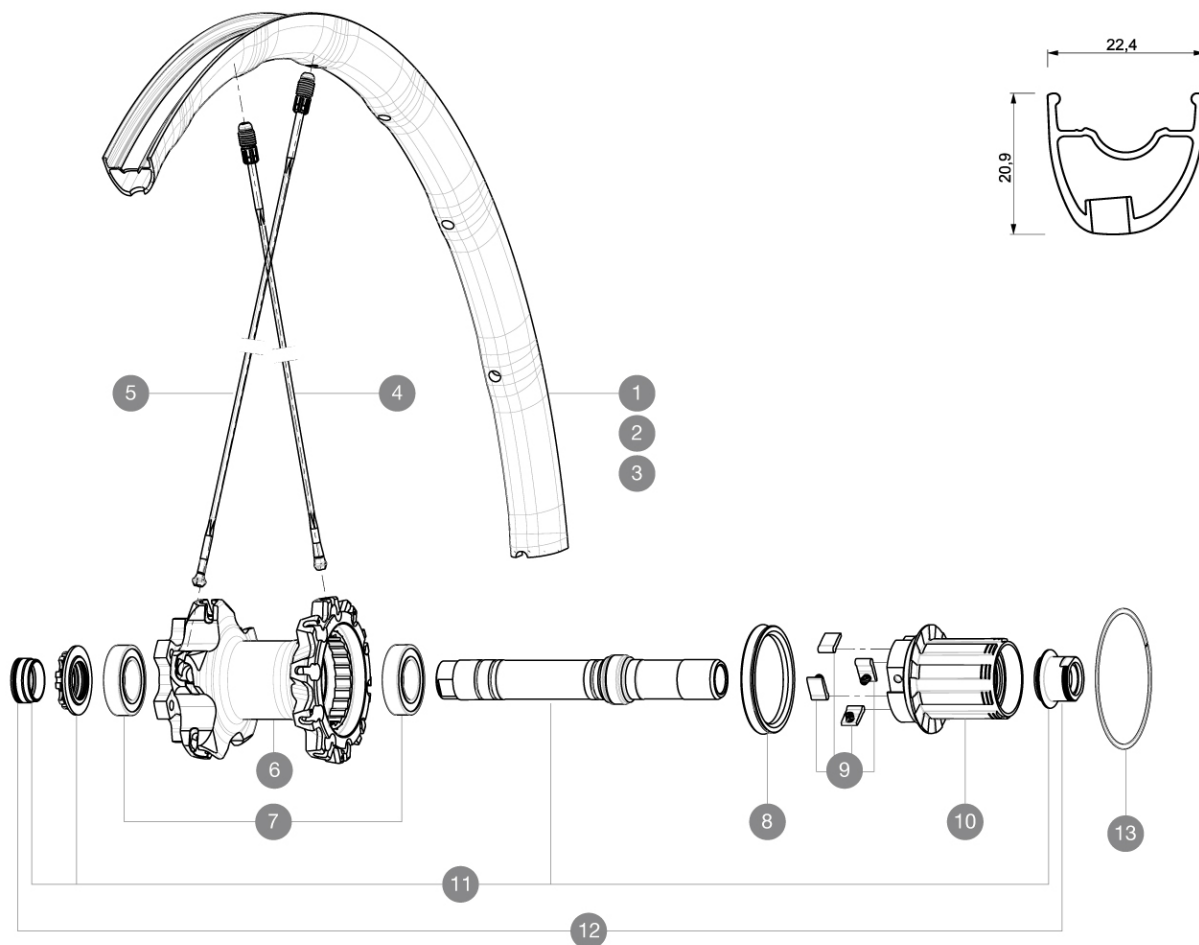


REFERENCES WHEELS

R51801	XmaxSLPro29RrWTS Black	R78501	XmaxSLPro29RrDWTS Bk
R51802	XmaxSLProLtd29RrWTS Yellow	R78502	XmaxSLPro29RrDWTS Ye
R68701	XmaxSLPro29OffsetWTSBk	R82701	XmaxSLPro29RrNT Bk
R68702	XmaxSLProLtd29OffsetWTSYellow		



RIMS



VALVE HOLE (MM): 6,5 :

1	V2310613	KIT REAR RIM CROSSMAX SL/SL PRO BLACK 29"
2	V2313713	"KIT REAR RIM CROSSMAX SL PRO LTD YELLOW 29""
3	V2313813	"KIT RR RIM CROSSMAX SL PRO LTD OFFSET YEL 29""
3	V2311913	KIT RR RIM CROSSMAX SL/SL PRO OFFSET BLK 29"

SPOKES

4	35113801	"KIT 10 DS M7/7 XMAX SLR/PRO 29"" SPK 269,5mm"
5	35113701	"KIT 10 FT/NDS M7/7 XMAX SLR 29"" SPK 299,5mm"

HUB SHELLS

6	N/A	HUB BODY
6	N/A	HUB BODY
7	M40076	HUB BEARINGS 17x30x7 6903 x 2
8	99610701	ITS-4 FREEWHEEL SEAL
9	99610601	PAWLS KIT FOR ITS-4 (OR TS-2)
10	35126001	ITS-4 FREEWHEEL BODY + SEAL 2013 (NO PAWLS)
11	30870401	REAR QRM + AXLE KIT ITS4 135mm from 2012
13	30871801	ELASTIC RING 56mm diam. ITS-4 20 SPOKES

ADAPTERS

12	30872201	FRAME SUPPORT ITS-4 135mm REAR AXLE > 2012
----	----------	--

MAVIC *Crossmax SL Pro WTS 29***DELIVERED WITH**

1 bottle of Mavic Sealant	
BX601 quick releases	
UST valve and accessories	
Front QR adapters	
Rear QR adapters	
Rear 12x142mm adapters	
Specific disc bolts	
Multifonction adjustment wrench	
User guide	

Specifications**RIMS**

- **Material** : Mactal
 - **Joint** : SUP
 - **Drilling** : Fore
- Disc brake specific profile
- **Weight reduction** : ISM 4D
 - **Valve hole diameter** : 6.5 mm
 - **Tyre** : UST Tubeless and tubetype
 - **Internal width** : 19 mm
 - **ETRTO size 26"** : 559x19C
 - **ETRTO size 650b/27.5"** : 584x19C
 - **ETRTO size 29"** : 622x19C
 - **ETRTO recommended tyre sizes** : 28mm to 62mm (1.1" to 2.5")

SPOKES

- **Material** : Zicral
- **Shape** : straight pull, bladed
- **Nipples** : Fore integrated aluminum
- **Count** : 20 front and rear
- **Lacing** : front crossed 2, rear Isopulse

WHEEL HUB

- **Front body** : carbon with aluminum flanges
 - **Rear body** : aluminum
 - **Axle material** : aluminum
- Adjustable sealed cartridge bearings
- **Freewheel** : ITS-4 alloy
- Shimano 11 speeds compatible
Sram XD Compatible (XX1-X01) with optional kit

WHEEL WEIGHTS

- Wheel weight
- Weight Rear 26": 760
Weight Rear 27.5": 805
Weight Rear 29": 830