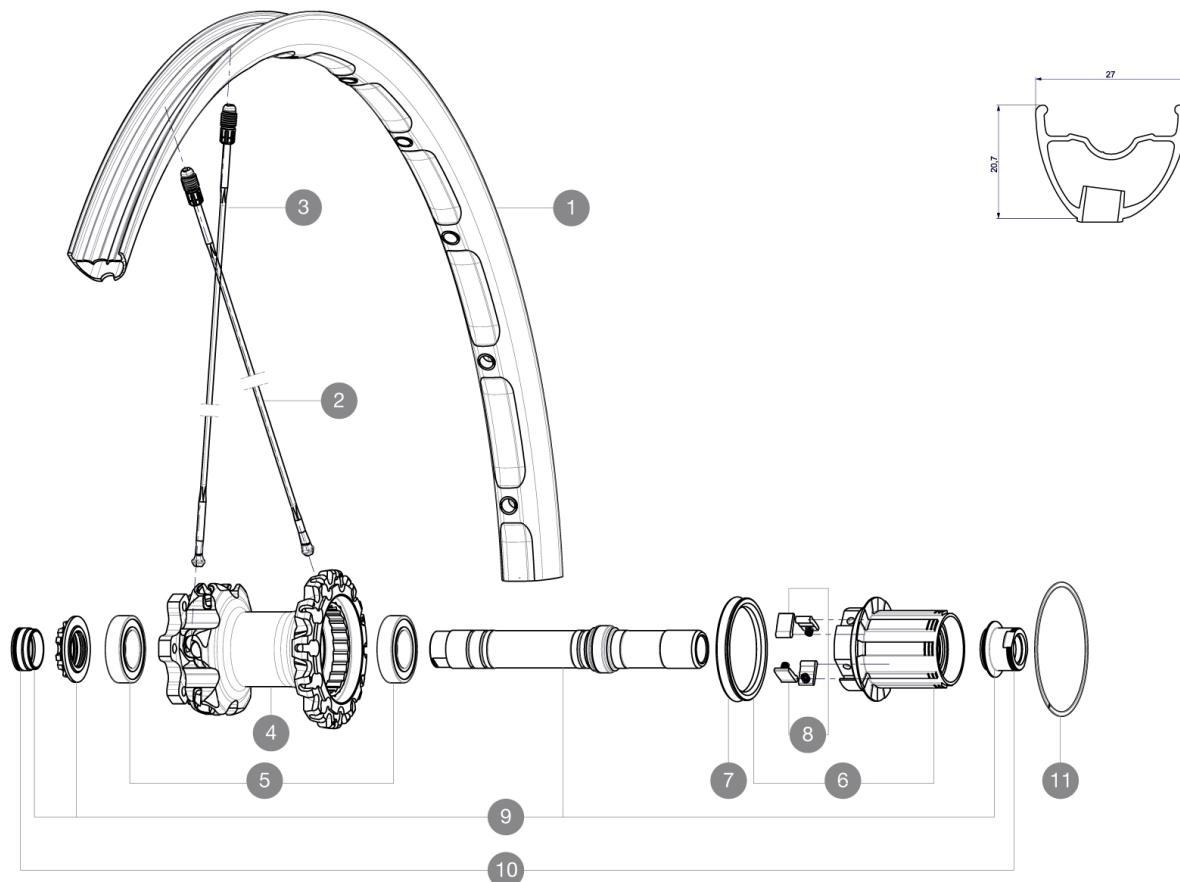


# MAVIC Crossmax XL pro Ltd 27.5 WTS

1  
2016  
REAR

Recommended weight limit : 120kg

## REFERENCES WHEELS



### RIMS



VALVE HOLE (MM): 6,5 :

1	V2314013	"KIT REAR RIM CROSSMAX XL PRO LTD 27,5""
---	----------	--

### SPOKES

2	36675101	"KIT 10 DS XMAX SLR/END/PRO/DEEMAX PRO 27,5"" SPK 251,5mm"
3	36674901	KIT 12 FT XMAX END/FT-NDS DEEMAX PRO 27,5" ALU SPK 275mm

### HUB SHELLS

4	N/A	HUB BODY
5	M40076	HUB BEARINGS 17x30x7 6903 x 2
6	35126001	ITS-4 FREEWHEEL BODY + SEAL 2013 (NO PAWLS)
7	99610701	ITS-4 FREEWHEEL SEAL
8	99610601	PAWLS KIT FOR ITS-4 (OR TS-2)
9	30870401	REAR QRM + AXLE KIT ITS4 135mm from 2012
11	30871801	ELASTIC RING 56mm diam. ITS-4 20 SPOKES

### ADAPTERS

10	30872201	FRAME SUPPORT ITS-4 135mm REAR AXLE > 2012
----	----------	--

**MAVIC** *Crossmax XL pro Ltd 27.5 WTS***Specifications****SPOKES**

• Shape : straight pull, bladed

**WHEEL WEIGHTS**

Wheel weight