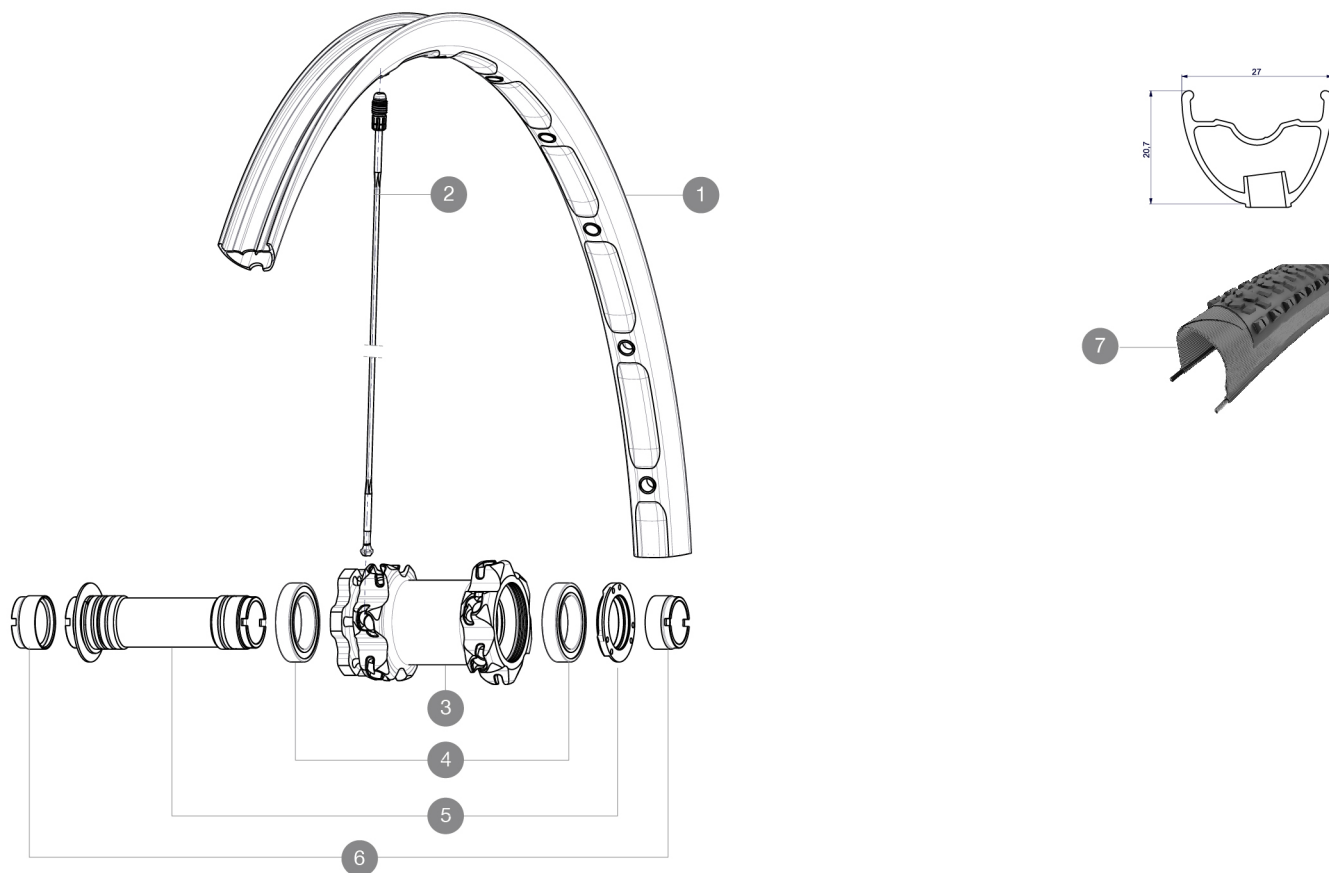


参照ホイール

F35601 XmaxXLPro26Ft WTS



## RIMS



バルブ穴径 (MM) : 6,5 :

1	V2310710	KIT FRONT RIM CROSSMAX XL 2015 26"
---	----------	------------------------------------

## SPOKES

2	36646801	12 SPOKES FRONT CROSSMAX ENDURO 261,5mm
---	----------	---

## HUB SHELLS

3	N/A	HUB BODY
4	M40179	FRONT BEARING 25x37x7 20mm AXLE
5	30870501	FRONT AXLE 20mm CROSSMAX ST/SX + DEEMAX ULTI 2012

## ADAPTERS

6	12982901	20mm adapter for Crossmax ST/SX (front wheel)
---	----------	---



# Crossmax XL Pro WTS 26

## 付属品

BX601 rear quick release	
1 bottle of Mavic Sealant	
UST valve and accessories	
Front 15 mm adapters	
Rear QR adapters	
Rear 12x142mm adapters	
Multifunction adjustment wrench	
User guide	

## Specifications

### リム

- Material : Maxtal
- Drilling : Fore
- Weight reduction : ISM
- Tyre : UST Tubeless and tubetype
- Internal width : 23 mm
- ETRTO size 26" : 559x23C
- ETRTO size 27.5" : 584x23C
- ETRTO size 29" : 622x23C
- ETRTO recommended tyre sizes : 37mm to 76mm (1.5" to 3.0")

### スポーク

- Material : Zicral
- Shape : straight pull, bladed
- Nipples : Fore integrated aluminum
- Count : 24 front and rear
- Lacing : front crossed 2, rear Isopulse

### ホイールハブ

- Front and rear bodies : aluminum
- Axle material : aluminum
- Adjustable sealed cartridge bearings
- Freewheel : ITS-4 alloy
- Shimano 11 speeds compatible
- Sram XD Compatible (XX1-X01) with optional kit

### ホイールの重み

- ホイール重量 (クイックリリースおよびクリンチャー/チューブラーを除く) (g) :
- Weight Front 26": 790
  - Weight Front 27.5": 815
  - Weight Front 29": 850