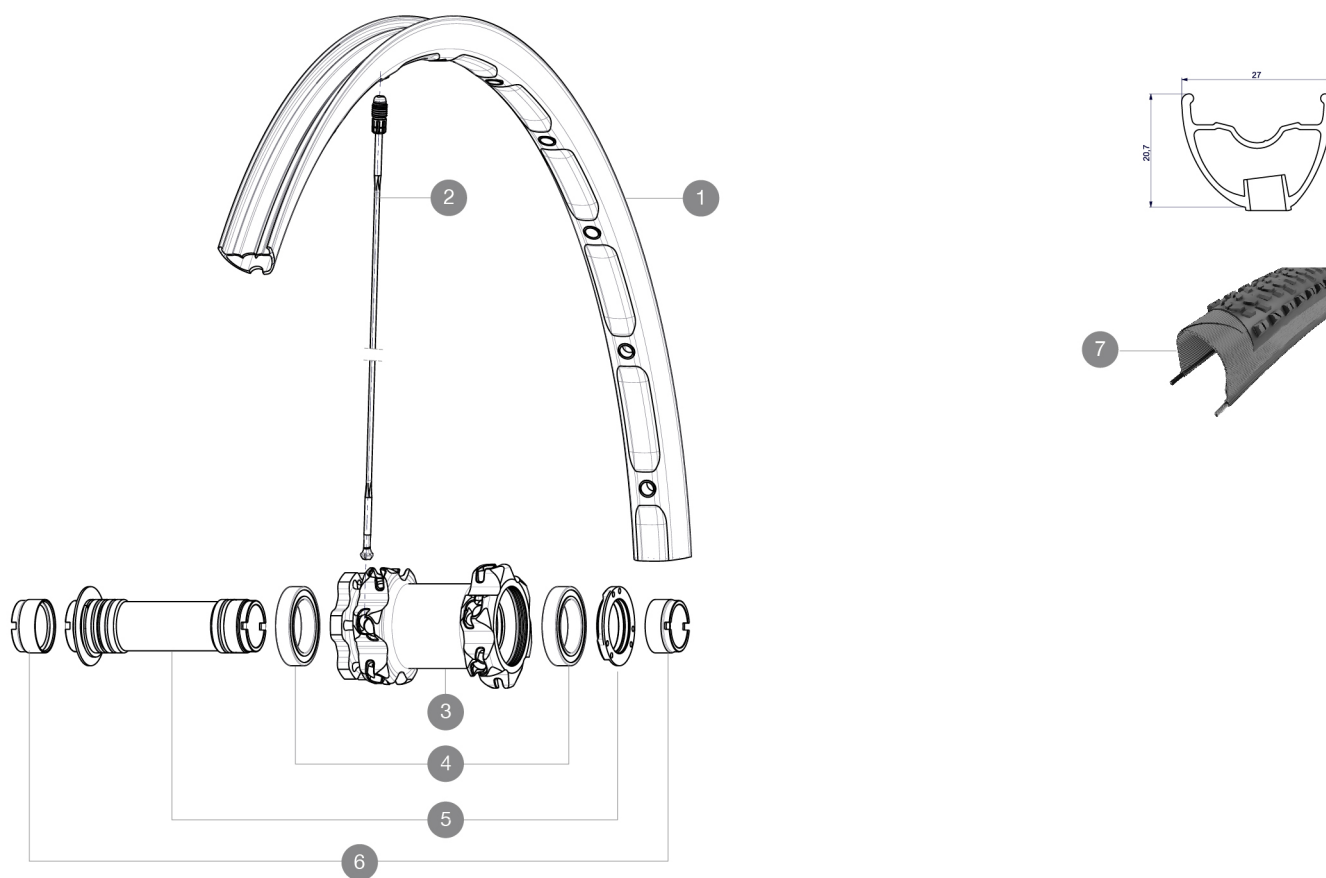


## REFERENCES WHEELS

F35601 XmaxXLPro26Ft WTS



### RIMS



VALVE HOLE (MM): 6,5 :

1	V2310710	KIT FRONT RIM CROSSMAX XL 2015 26"
---	----------	------------------------------------

### SPOKES

2	36646801	KIT 12 FT CROSSMAX ENDURO ALU SPK 261,5mm
---	----------	---

### HUB SHELLS

3	N/A	HUB BODY
4	M40179	FRONT BEARING 25x37x7 20mm AXLE
5	30870501	FRONT AXLE 20mm CROSSMAX + DEEMAX ULTI 2012

### ADAPTERS

6	12982901	ADAPTER Ft 20x110mm
---	----------	---------------------

**MAVIC** *Crossmax XL Pro WTS 26***DELIVERED WITH**

BX601 rear quick release	
1 bottle of Mavic Sealant	
UST valve and accessories	
Front 15 mm adapters	
Rear QR adapters	
Rear 12x142mm adapters	
Multifonction adjustment wrench	
User guide	

**Specifications****RIMS**

- **Material** : Mactal
- **Drilling** : Fore
- **Weight reduction** : ISM
- **Tyre** : UST Tubeless and tubetype
- **Internal width** : 23 mm
- **ETRTO size 26"** : 559x23C
- **ETRTO size 27.5"** : 584x23C
- **ETRTO size 29"** : 622x23C
- **ETRTO recommended tyre sizes** : 37mm to 76mm (1.5" to 3.0")

**SPOKES**

- **Material** : Zicral
- **Shape** : straight pull, bladed
- **Nipples** : Fore integrated aluminum
- **Count** : 24 front and rear
- **Lacing** : front crossed 2, rear Isopulse

**WHEEL HUB**

- **Front and rear bodies** : aluminum
  - **Axle material** : aluminum
- Adjustable sealed cartridge bearings
- **Freewheel** : ITS-4 alloy
- Shimano 11 speeds compatible  
Sram XD Compatible (XX1-X01) with optionnal kit

**WHEEL WEIGHTS**

Wheel weight  
Weight Front 26": 790  
Weight Front 27.5": 815  
Weight Front 29": 850