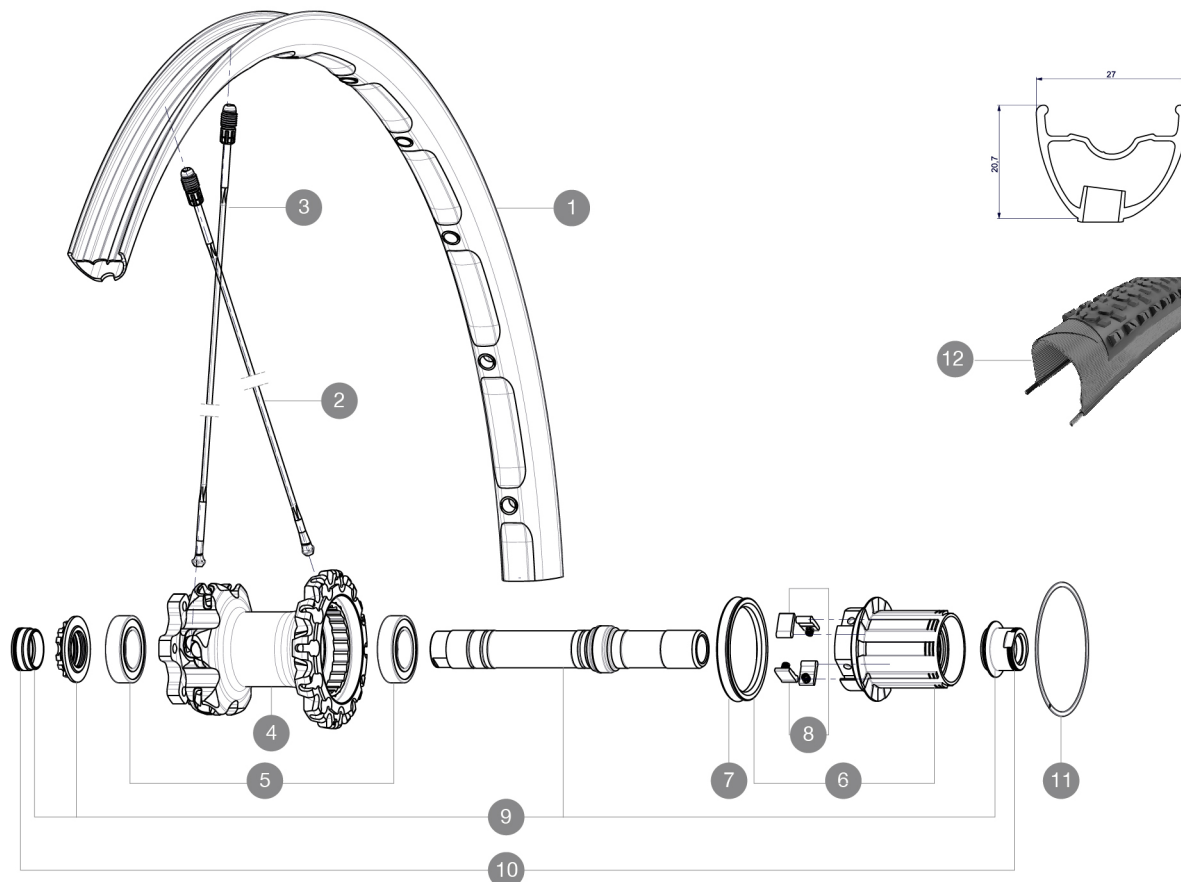


参照ホイール

R59801 XmaxXLPro29RrWTS

R79001

XmaxXLPro29RrXDWTS



## RIMS



バルブ穴径 (MM) : 6,5 :

|   |          |                                   |
|---|----------|-----------------------------------|
| 1 | V2311213 | KIT REAR RIM CROSSMAX XL 2015 29" |
|---|----------|-----------------------------------|

## SPOKES

|   |          |   |
|---|----------|---|
| 2 | 35113801 | "10 SPOKES M7/7 DRV BLK CROSSMAX SLR 29"" 269,5mm"    |
| 3 | A7209901 | KIT 12 FT/NDS CROSSMAX XL/DEEMAX PRO 19 29" SPK 293mm |

## HUB SHELLS

|    |          |  |
|----|----------|--|
| 4  | N/A      | HUB BODY   |
| 5  | M40076   | HUB BEARINGS 17x30x7 6903 x 2                    |
| 6  | 35126001 | ITS-4 FREEWHEEL BODY + SEAL 2013 (WITHOUT PAWLS) |
| 7  | 99610701 | ITS4 SEAL  |
| 8  | 99610601 | ITS4 PAWLS KIT                                   |
| 9  | 30870401 | REAR AXLE KIT ITS4 135mm D6T/DCL 2012            |
| 11 | 30871801 | ELASTIC RING 56mm diam.                          |

## ADAPTERS

|    |          |  |
|----|----------|--|
| 10 | 30872201 | FORK REST ITS-4 135mm REAR AXLE > 2012 |
|----|----------|--|



# Crossmax XL Pro WTS 29

## 付属品

|                                 |  |
|---------------------------------|--|
| BX601 rear quick release        |  |
| 1 bottle of Mavic Sealant       |  |
| UST valve and accessories       |  |
| Front 15 mm adapters            |  |
| Rear QR adapters                |  |
| Rear 12x142mm adapters          |  |
| Multifunction adjustment wrench |  |
| User guide                      |  |

## Specifications

### リム

- Material : Maxtal
- Drilling : Fore
- Weight reduction : ISM
- Tyre : UST Tubeless and tubetype
- Internal width : 23 mm
- ETRTO size 26" : 559x23C
- ETRTO size 27.5" : 584x23C
- ETRTO size 29" : 622x23C
- ETRTO recommended tyre sizes : 37mm to 76mm (1.5" to 3.0")

### スポーク

- Material : Zicral
- Shape : straight pull, bladed
- Nipples : Fore integrated aluminum
- Count : 24 front and rear
- Lacing : front crossed 2, rear Isopulse

### ホイールハブ

- Front and rear bodies : aluminum
- Axle material : aluminum
- Adjustable sealed cartridge bearings
- Freewheel : ITS-4 alloy
- Shimano 11 speeds compatible
- Sram XD Compatible (XX1-X01) with optional kit

### ホイールの重み

- ホイール重量 (クイックリリースおよびクリンチャー/チューブラーを除く) (g) :
- Weight Rear 26": 870
  - Weight Rear 27.5": 895
  - Weight Rear 29": 930