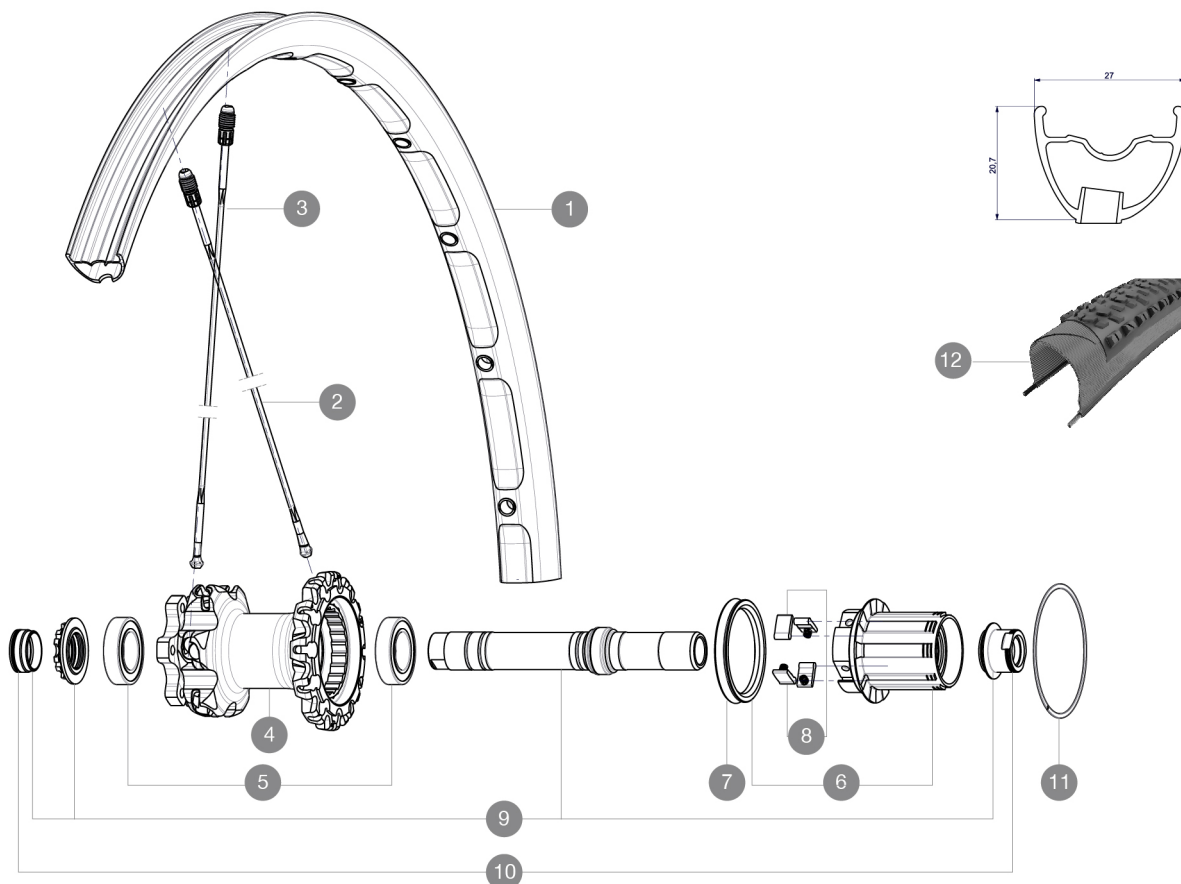


**REFERENCES WHEELS**

R59801 XmaxXLPro29RrWTS

R79001 XmaxXLPro29RrXDWTS



**RIMS**



VALVE HOLE (MM): 6,5 :

1	V2311213	KIT REAR RIM CROSSMAX XL 2015 29"
---	----------	-----------------------------------

**SPOKES**

2	35113801	"KIT 10 DS M7/7 XMAX SLR/PRO 29"" SPK 269,5mm"
3	A7209901	KIT 12 FT/NDS CROSSMAX XL/DEEMAX PRO 19 29" SPK 293mm

**HUB SHELLS**

4	N/A	HUB BODY
5	M40076	HUB BEARINGS 17x30x7 6903 x 2
6	35126001	ITS-4 FREEWHEEL BODY + SEAL 2013 (NO PAWLS)
7	99610701	ITS-4 FREEWHEEL SEAL
8	99610601	PAWLS KIT FOR ITS-4 (OR TS-2)
9	30870401	REAR QRM + AXLE KIT ITS4 135mm from 2012
11	30871801	ELASTIC RING 56mm diam. ITS-4 20 SPOKES

**ADAPTERS**

10	30872201	FRAME SUPPORT ITS-4 135mm REAR AXLE > 2012
----	----------	--

**MAVIC** *Crossmax XL Pro WTS 29***DELIVERED WITH**

BX601 rear quick release	
1 bottle of Mavic Sealant	
UST valve and accessories	
Front 15 mm adapters	
Rear QR adapters	
Rear 12x142mm adapters	
Multifonction adjustment wrench	
User guide	

**Specifications****RIMS**

- **Material** : Mactal
- **Drilling** : Fore
- **Weight reduction** : ISM
- **Tyre** : UST Tubeless and tubetype
- **Internal width** : 23 mm
- **ETRTO size 26"** : 559x23C
- **ETRTO size 27.5"** : 584x23C
- **ETRTO size 29"** : 622x23C
- **ETRTO recommended tyre sizes** : 37mm to 76mm (1.5" to 3.0")

**SPOKES**

- **Material** : Zicral
- **Shape** : straight pull, bladed
- **Nipples** : Fore integrated aluminum
- **Count** : 24 front and rear
- **Lacing** : front crossed 2, rear Isopulse

**WHEEL HUB**

- **Front and rear bodies** : aluminum
  - **Axle material** : aluminum
- Adjustable sealed cartridge bearings
- **Freewheel** : ITS-4 alloy
- Shimano 11 speeds compatible  
Sram XD Compatible (XX1-X01) with optional kit

**WHEEL WEIGHTS**

Wheel weight  
 Weight Rear 26": 870  
 Weight Rear 27.5": 895  
 Weight Rear 29": 930