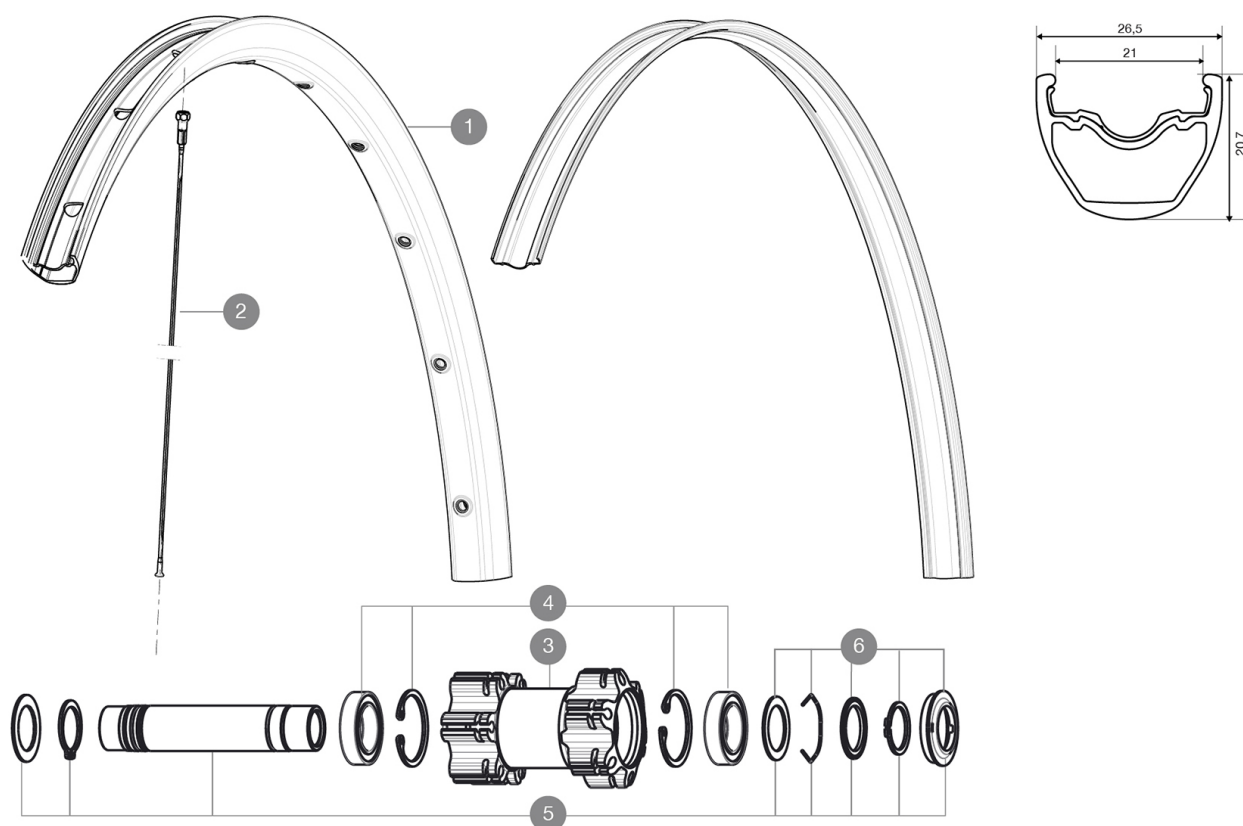


MAVIC *Crossride Tubeless Quest 26*

ASTM CATEGORY 3 : offroad with jumps less than 61cm
 Recommended weight limit : 120kg
 ETRTO recommended tyre sizes: 35mm to 69mm (1.4" to 2.7")

REFERENCES WHEELS

F36501 XrideUST Quest26FWTS

**RIMS**

VALVE HOLE (MM): 6,5 :

| | | |
|---|----------|---|
| 1 | V2314115 | "KIT FRONT/REAR RIM CROSSRIDE TUBELESS 26"" |
| | V2170101 | UST RIM STRIP 26x21c |

SPOKES


| | | |
|---|----------|--|
| 2 | V2381001 | KIT 12 NDS CROSSRIDE UST 26" SPOKE 265mm |
|---|----------|--|

HUB SHELLS

| | | |
|---|----------|--|
| 3 | N/A | HUB BODY |
| 4 | 99688501 | BEARING KIT 9/12/15 D6T HUB 20x32x7 6804 |
| 5 | V2371101 | KIT FRONT QRM AXLE 100mm/BOOST 110mm |
| 5 | V2370101 | KIT FRONT AXLE 15MM CROSSONE/-RIDE/-ROC - while stock last |
| 6 | V2370301 | KIT FRONT AUTO ADJUSTING PLAY 15mm AXLE |

MAVIC Crossride Tubeless Quest 26

DELIVERED WITH

| | |
|---|---|
| 1 bottle of Mavic Sealant | |
| 1 bottle of Mavic Sealant | |
| Tubeless rim tape | |
| UST valve and accessories | |
| Rear 12x142mm adapters | |
| User guide | |
| Rear 12x142mm adapters for ITS4 and TS2 (308 593 01 for ITS4, 329 650 01 for TS2) 1 |  |
| UST valve and accessories | |
| Tubeless rim tape | |
| User guide | |

COMPATIBILITY

| | |
|---|--|
| Freewheel: Shimano/Sram, convertible to XD with optional driver body | |
| Front axle: convertible from 15mm thru axle to Quick Release with optional adapters | |
| Rear axle: 12mm thru axle, convertible to Quick Release with optional adapters | |

Specifications

RIMS

- **Material** : S6000 Aluminum
- **Joint** : sleeved
- **Drilling** : traditional with H2 reinforcement
- **Valve hole diameter** : 8,5 mm with pop off reducer
- **Tyre** : UST Tubeless and tubetype
- **Material** : S6000 Aluminum
- **Internal width** : 21 mm
- **ETRTO size 26"** : 559x21C
- **ETRTO size 27.5"** : 584x21C
- **ETRTO size 29"** : 622x21C
- **ETRTO recommended tyre sizes** : 35mm to 69mm (1.4" to 2.7")
- **Joint** : sleeved
- **Drilling** : traditional with H2 reinforcement
- **Valve hole diameter** : 8,5 mm with pop off reducer
- **Tyre** : UST Tubeless and tubetype
- **Internal width** : 21 mm
- **ETRTO size 26"** : 559x21C
- **ETRTO size 27.5"** : 584x21C
- **ETRTO size 29"** : 622x21C

SPOKES

- **Material** : steel
- **Shape** : straight pull, bladed, double butted
- **Nipples** : brass, ABS
- **Count** : 24 front and rear
- **Lacing** : front and rear crossed 2
- **Material** : steel
- **Shape** : straight pull, bladed, double butted
- **Nipples** : steel, ABS
- **Count** : 24 front and rear
- **Lacing** : front and rear crossed 2

WHEEL HUB

- **Body** : aluminum
- **Axle material** : aluminum
Sealed cartridge bearings
- **Freewheel** : TS-2 alloy
- **Front and rear bodies** : aluminum
Shimano 11 speeds compatible
- **Axle material** : aluminum
Sram XD Compatible (XX1-X01) with optionnal kit
Sealed cartridge bearings
- **Freewheel** : TS-2 alloy

VERSIONS

- **Color** : Black only
- **Disc standard** : 6 Bolts only
- **Hub width** : Boost (front 110, rear 148) or Non-Boost (front 100, rear 135/142)

WHEEL WEIGHTS

- **Wheel weight**
- **Weight Front 26"**: 845
- **Weight Front 27.5"**: 875
- **Weight Front 29"**: 920