

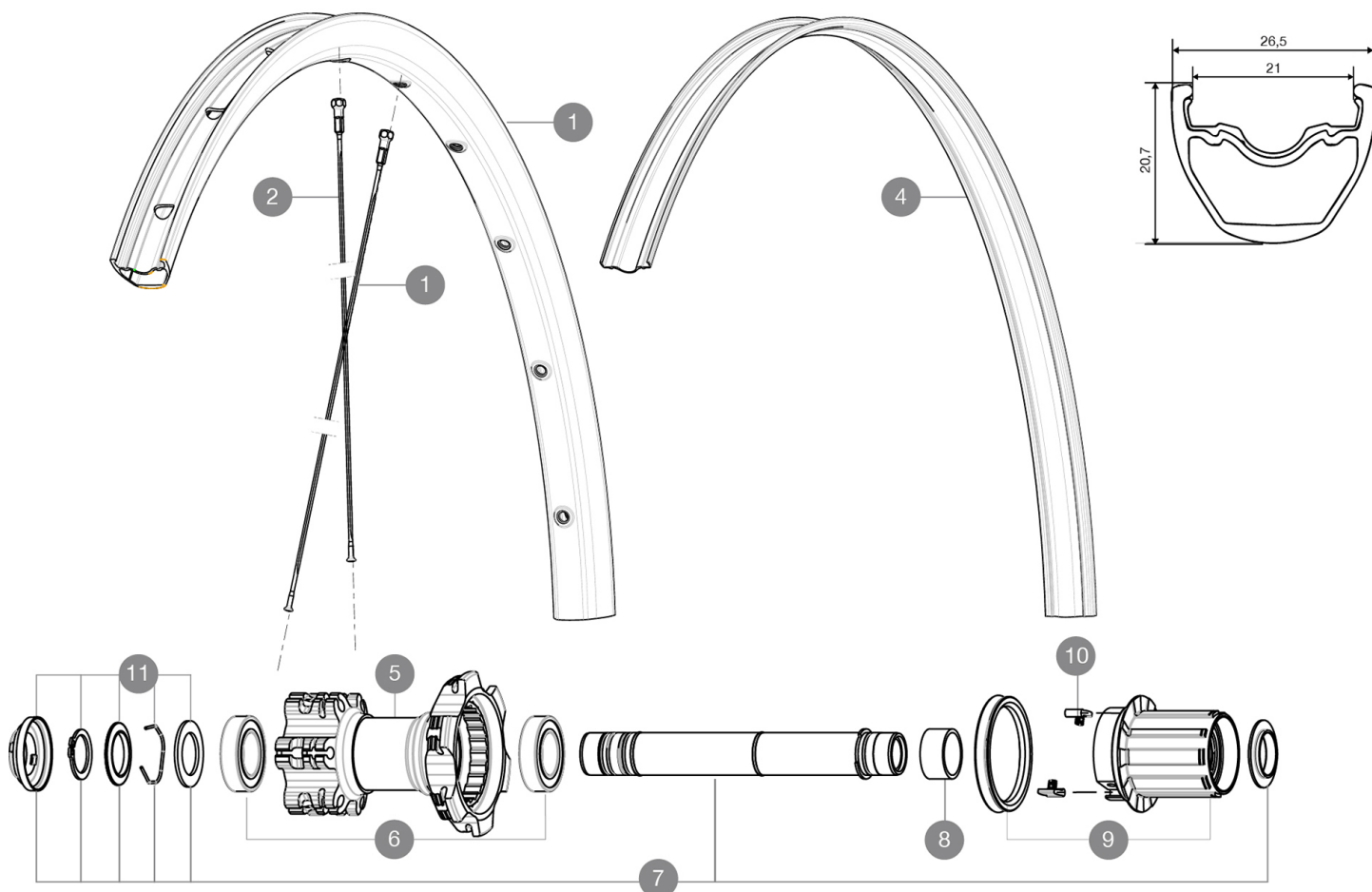
ASTM CATEGORY 3 : offroad with jumps less than 61cm

For a longer longevity of the wheel, Mavic recommends that the total weight supported by the wheels don't exceed 120kg, bike included

ETRTO recommended tyre sizes: 35mm to 69mm (1.4" to 2.7")

参照ホイール

R60501 XrideUST Quest26RrWTS



RIMS



バルブ穴径 (MM) : 6,5 :

1	V2314115	RIM CROSSRIDE TUBELESS 26
	V2170101	UST rim strip 26 - 21C

SPOKES

2	V2381001	12 REAR NON-DRIVE SIDE SPOKES 265mm CROSSRIDE TUBELESS
3	36675301	12 SPOKES DRIVE SIDE CROSSROC 261mm


HUB SHELLS

5	N/A	HUB BODY
6	M40076	HUB BEARINGS 17x30x7 6903 x 2
7	V2371201	KIT REAR QRM AXLE 135-142 / BOOST 148mm
8	35124501	SET OF 3 REAR AXLE/FREEWHEEL BODY SPACERS
9	35126301	TS-2 FREEWHEEL BODY + SEAL 2013 (NO PAWLS) - while stock las
10	99610601	ITS4 PAWLS KIT
11	V2370401	REAR AUTO ADJUST.PLAY KIT 12MM AXLE



Crossride Tubeless Quest 26

付属品

1 bottle of Mavic Sealant	
1 bottle of Mavic Sealant	
Tubeless rim tape	
UST valve and accessories	
Rear 12x142mm adapters	
User guide	
Rear 12x142mm adapters for ITS4 and TS2 (308 593 01 for ITS4, 329 650 01 for TS2) 1	
UST valve and accessories	
Tubeless rim tape	
User guide	

COMPATIBILITY

Freewheel: Shimano/Sram, convertible to XD with optional driver body	
Front axle: convertible from 15mm thru axle to Quick Release with optional adapters	
Rear axle: 12mm thru axle, convertible to Quick Release with optional adapters	

Specifications

リム

- Material : S6000 Aluminum
- Joint : sleeved
- Drilling : traditional with H2 reinforcement
- Valve hole diameter : 8,5 mm with pop off reducer
- Tyre : UST Tubeless and tubetype
- Material : S6000 Aluminum
- Internal width : 21 mm
- ETRTO size 26" : 559x21C
- ETRTO size 27.5" : 584x21C
- ETRTO size 29" : 622x21C
- ETRTO recommended tyre sizes : 35mm to 69mm (1.4" to 2.7")
- Joint : sleeved
- Drilling : traditional with H2 reinforcement
- Valve hole diameter : 8,5 mm with pop off reducer
- Tyre : UST Tubeless and tubetype
- Internal width : 21 mm
- ETRTO size 26" : 559x21C
- ETRTO size 27.5" : 584x21C
- ETRTO size 29" : 622x21C

スポーク

- Material : steel
- Shape : straight pull, bladed, double butted
- Nipples : brass, ABS
- Count : 24 front and rear
- Lacing : front and rear crossed 2
- Material : steel
- Shape : straight pull, bladed, double butted
- Nipples : steel, ABS
- Count : 24 front and rear
- Lacing : front and rear crossed 2

ホイールハブ

- Body : aluminum
- Axle material : aluminum
- Sealed cartridge bearings
- Freewheel : TS-2 alloy
- Front and rear bodies : aluminum
- Shimano 11 speeds compatible
- Axle material : aluminum
- Sram XD Compatible (XX1-X01) with optionnal kit
- Sealed cartridge bearings
- Freewheel : TS-2 alloy

VERSIONS

- Color : Black only
- Disc standard : 6 Bolts only
- Hub width : Boost (front 110, rear 148) or Non-Boost (front 100, rear 135/142)

ホイールの重み

ホイール重量 (クイックリリースおよびクリンチャーチューブラーを除く) (g) :

Weight Rear 26": 965
Weight Rear 27.5": 995
Weight Rear 29": 1040