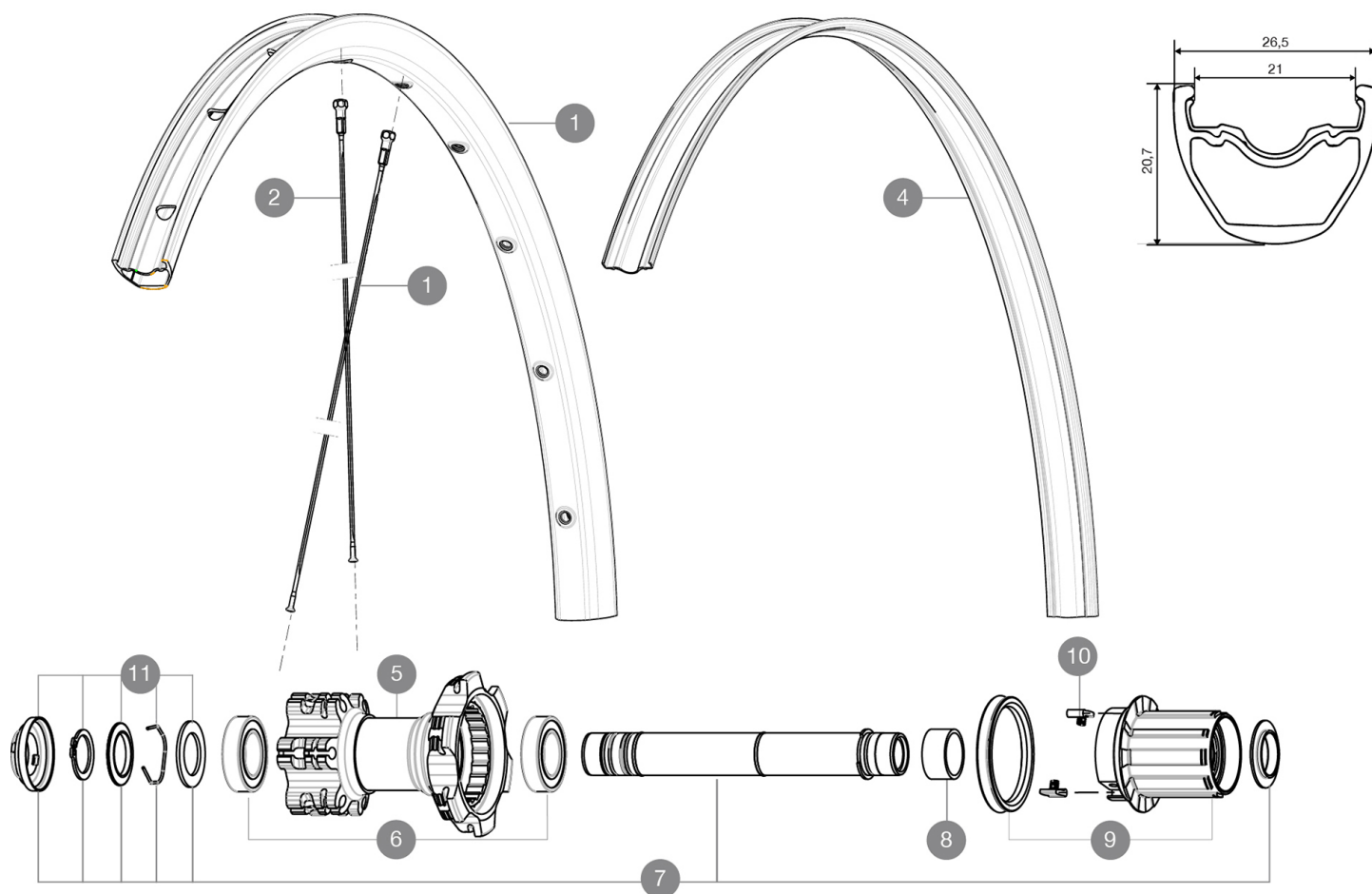


MAVIC Crossride Tubeless Quest 26

ASTM CATEGORY 3 : offroad with jumps less than 61cm
 Recommended weight limit : 120kg
 ETRTO recommended tyre sizes: 35mm to 69mm (1.4" to 2.7")

REFERENCES WHEELS

R60501 XrideUST Quest26RrWTS



RIMS



VALVE HOLE (MM): 6,5 :

1	V2314115	"KIT FRONT/REAR RIM CROSSRIDE TUBELESS 26""
	V2170101	UST RIM STRIP 26x21c

SPOKES


2	V2381001	KIT 12 NDS CROSSRIDE UST 26" SPOKE 265mm
3	36675301	KIT 12 DS CROSSROC/CROSSRIDE UST 26" SPK 261mm

HUB SHELLS

5	N/A	HUB BODY
6	M40076	HUB BEARINGS 17x30x7 6903 x 2
7	V2371201	KIT REAR QRM AXLE 135-142 / BOOST 148mm
8	35124501	SET OF 3 REAR AXLE/FREEWHEEL BODY SPACERS MTB L1
9	35126301	TS-2 FREEWHEEL BODY + SEAL 2013 (NO PAWLS) - while stock las
10	99610601	PAWLS KIT FOR ITS-4 (OR TS-2)
11	V2370401	KIT REAR AUTO ADJUSTING PLAY 12mm AXLE

MAVIC Crossride Tubeless Quest 26

DELIVERED WITH

1 bottle of Mavic Sealant	
1 bottle of Mavic Sealant	
Tubeless rim tape	
UST valve and accessories	
Rear 12x142mm adapters	
User guide	
Rear 12x142mm adapters for ITS4 and TS2 (308 593 01 for ITS4, 329 650 01 for TS2) 1	
UST valve and accessories	
Tubeless rim tape	
User guide	

COMPATIBILITY

Freewheel: Shimano/Sram, convertible to XD with optional driver body	
Front axle: convertible from 15mm thru axle to Quick Release with optional adapters	
Rear axle: 12mm thru axle, convertible to Quick Release with optional adapters	

Specifications

RIMS

- **Material** : S6000 Aluminum
- **Joint** : sleeved
- **Drilling** : traditional with H2 reinforcement
- **Valve hole diameter** : 8,5 mm with pop off reducer
- **Tyre** : UST Tubeless and tubetype
- **Material** : S6000 Aluminum
- **Internal width** : 21 mm
- **ETRTO size 26"** : 559x21C
- **ETRTO size 27.5"** : 584x21C
- **ETRTO size 29"** : 622x21C
- **ETRTO recommended tyre sizes** : 35mm to 69mm (1.4" to 2.7")
- **Joint** : sleeved
- **Drilling** : traditional with H2 reinforcement
- **Valve hole diameter** : 8,5 mm with pop off reducer
- **Tyre** : UST Tubeless and tubetype
- **Internal width** : 21 mm
- **ETRTO size 26"** : 559x21C
- **ETRTO size 27.5"** : 584x21C
- **ETRTO size 29"** : 622x21C

SPOKES

- **Material** : steel
- **Shape** : straight pull, bladed, double butted
- **Nipples** : brass, ABS
- **Count** : 24 front and rear
- **Material** : steel
- **Lacing** : front and rear crossed 2
- **Shape** : straight pull, bladed, double butted
- **Nipples** : steel, ABS
- **Count** : 24 front and rear
- **Lacing** : front and rear crossed 2

WHEEL HUB

- **Body** : aluminum
- **Axle material** : aluminum
Sealed cartridge bearings
- **Freewheel** : TS-2 alloy
- **Front and rear bodies** : aluminum
Shimano 11 speeds compatible
Sram XD Compatible (XX1-X01) with optional kit
- **Axle material** : aluminum
Sealed cartridge bearings
- **Freewheel** : TS-2 alloy

VERSIONS

- **Color** : Black only
- **Disc standard** : 6 Bolts only
- **Hub width** : Boost (front 110, rear 148) or Non-Boost (front 100, rear 135/142)

WHEEL WEIGHTS

- Wheel weight
- Weight Rear 26": 965
- Weight Rear 27.5": 995
- Weight Rear 29": 1040