

ASTM CATEGORY 3 : offroad with jumps less than 61cm

For a longer longevity of the wheel, Mavic recommends that the total weight supported by the wheels doesn't exceed 120kg, bike included

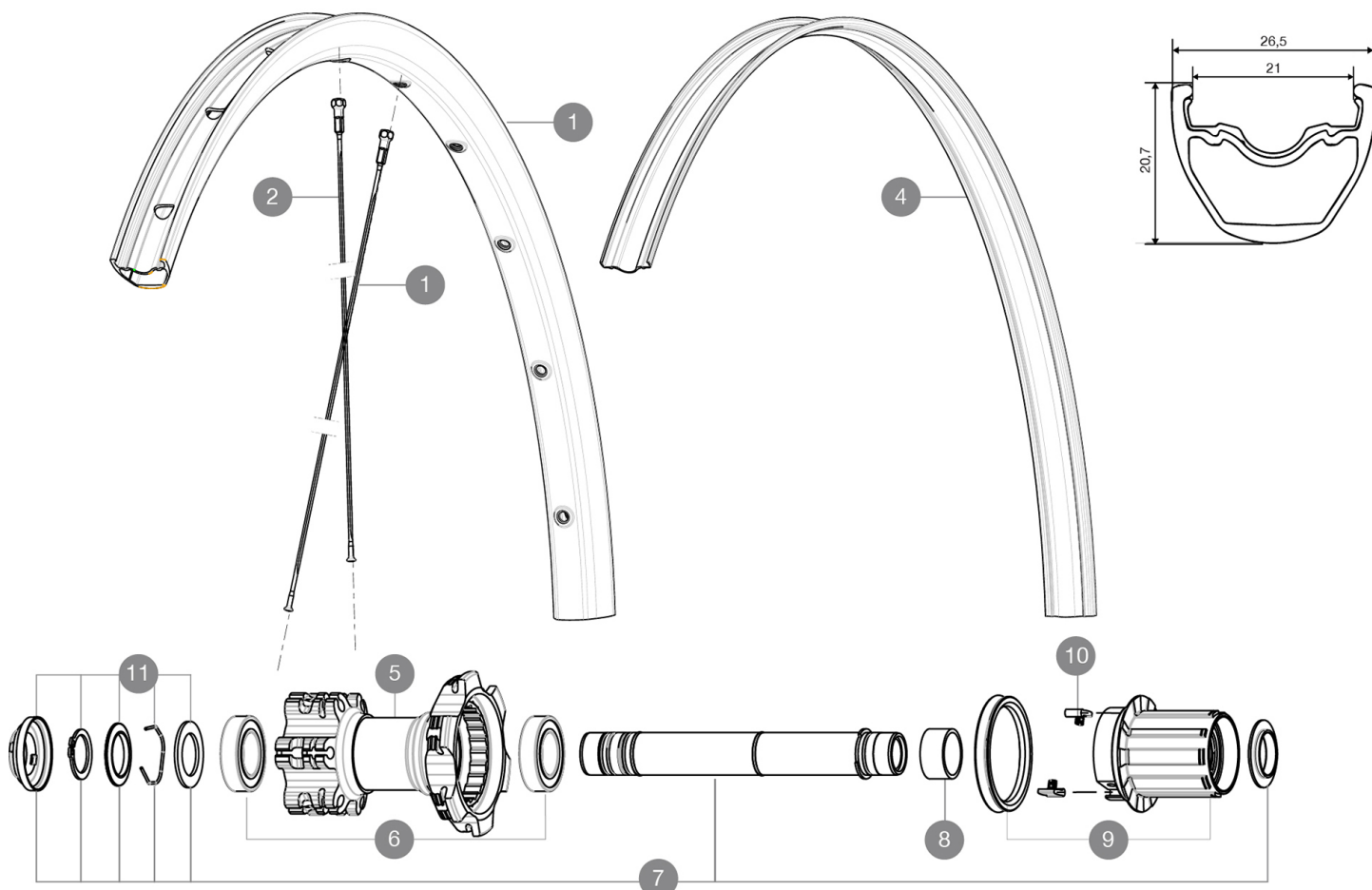
ETRTO recommended tyre sizes: 35mm to 69mm (1.4" to 2.7")

参照ホイール

R99161 XrdUSTQuest27.5Rr Boost WTS

R60601

XrideUST Quest27.5RrWTS



RIMS



バルブ穴径 (MM) : 6,5 :

1	V2314215	RIM CROSSRIDE TUBELESS 27,5
	V2180101	UST rim strip 27.5x21c

SPOKES

2	V2381101	12 FRT + REAR NON-DRIVE SIDE SPOKES 277mm CROSSRIDE
3	36689301	TUBELESS DRIVE SIDE CROSSROC 650b/27,5" 275mm"


HUB SHELLS

5	N/A	HUB BODY
6	M40076	HUB BEARINGS 17x30x7 6903 x 2
7	V2371201	KIT REAR QRM AXLE 135-142 / BOOST 148mm
8	35124501	SET OF 3 REAR AXLE/FREEWHEEL BODY SPACERS
9	35126301	TS-2 FREEWHEEL BODY + SEAL 2013 (NO PAWLS) - while stock las
10	99610601	ITS4 PAWLS KIT
11	V2370401	REAR AUTO ADJUST.PLAY KIT 12MM AXLE



Crossride Tubeless Quest WTS 27.5

付属品

1 bottle of Mavic Sealant	
1 bottle of Mavic Sealant	
Tubeless rim tape	
UST valve and accessories	
Rear 12x142mm adapters	
User guide	
Rear 12x142mm adapters for ITS4 and TS2 (308 593 01 for ITS4, 329 650 01 for TS2) 1	
UST valve and accessories	
Tubeless rim tape	
User guide	

COMPATIBILITY

Freewheel: Shimano/Sram, convertible to XD with optional driver body	
Front axle: convertible from 15mm thru axle to Quick Release with optional adapters	
Rear axle: 12mm thru axle, convertible to Quick Release with optional adapters	

Specifications

リム

- Material : S6000 Aluminum
- Joint : sleeved
- Drilling : traditional with H2 reinforcement
- Valve hole diameter : 8,5 mm with pop off reducer
- Tyre : UST Tubeless and tubetype
- Material : S6000 Aluminum
- Internal width : 21 mm
- ETRTO size 26" : 559x21C
- ETRTO size 27.5" : 584x21C
- ETRTO size 29" : 622x21C
- ETRTO recommended tyre sizes : 35mm to 69mm (1.4" to 2.7")
- Joint : sleeved
- Drilling : traditional with H2 reinforcement
- Valve hole diameter : 8,5 mm with pop off reducer
- Tyre : UST Tubeless and tubetype
- Internal width : 21 mm
- ETRTO size 26" : 559x21C
- ETRTO size 27.5" : 584x21C
- ETRTO size 29" : 622x21C

スポーク

- Material : steel
- Shape : straight pull, bladed, double butted
- Nipples : brass, ABS
- Count : 24 front and rear
- Material : steel
- Lacing : front and rear crossed 2
- Shape : straight pull, bladed, double butted
- Nipples : steel, ABS
- Count : 24 front and rear
- Lacing : front and rear crossed 2

ホイールハブ

- Body : aluminum
- Axle material : aluminum
- Sealed cartridge bearings
- Freewheel : TS-2 alloy
- Front and rear bodies : aluminum
- Shimano 11 speeds compatible
- Axle material : aluminum
- Sram XD Compatible (XX1-X01) with optionnal kit
- Sealed cartridge bearings
- Freewheel : TS-2 alloy

VERSIONS

- Color : Black only
- Disc standard : 6 Bolts only
- Hub width : Boost (front 110, rear 148) or Non-Boost (front 100, rear 135/142)

ホイールの重み

ホイール重量 (クイックリリースおよびクリンチャー/チューブラーを除く) (g) :
Weight Rear 26": 965
Weight Rear 27.5": 995
Weight Rear 29": 1040