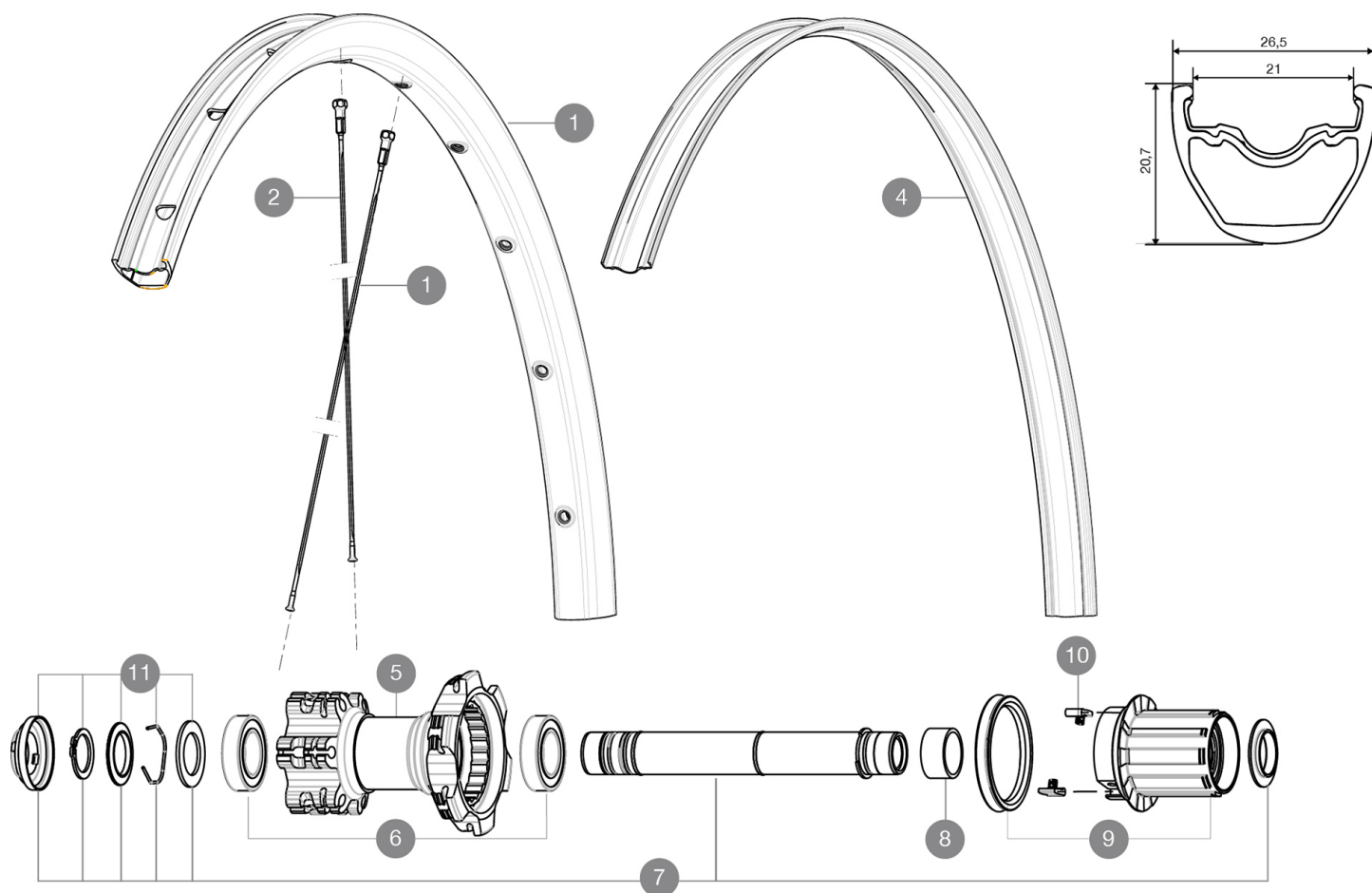


ASTM CATEGORY 3 : offroad with jumps less than 61cm  
 Recommended weight limit : 120kg  
 ETRTO recommended tyre sizes: 35mm to 69mm (1.4" to 2.7")

## REFERENCES WHEELS

R60701 XrideUST Quest29RrWTS

R99171 XrdUSTQuest29 Rr Boost WTS



## RIMS



VALVE HOLE (MM): 6,5 :

1	V2314315 V2190101	KIT FRONT/REAR RIM CROSSRIDE TUBELESS 29" UST RIM STRIP 29x21c
---	----------------------	---

## SPOKES


2	V2381401	KIT 12 FT/RR BUTTED SPOKES 296mm MTB 29"
3	36689601	"KIT 12 DS CROSSROC/XRIDE UST/XMAX ELITE/XA ELITE 29"" SPK 2

## HUB SHELLS

5	N/A	HUB BODY
6	M40076	HUB BEARINGS 17x30x7 6903 x 2
7	V2371201	KIT REAR QRM AXLE 135-142 / BOOST 148mm
8	35124501	SET OF 3 REAR AXLE/FREEWHEEL BODY SPACERS MTB L1
9	35126301	TS-2 FREEWHEEL BODY + SEAL 2013 (NO PAWLS) - while stock las
10	99610601	PAWLS KIT FOR ITS-4 (OR TS-2)
11	V2370401	KIT REAR AUTO ADJUSTING PLAY 12mm AXLE

# MAVIC Crossride Tubeless Quest 29

## DELIVERED WITH

1 bottle of Mavic Sealant	
1 bottle of Mavic Sealant	
Tubeless rim tape	
UST valve and accessories	
Rear 12x142mm adapters	
User guide	
Rear 12x142mm adapters for ITS4 and TS2 (308 593 01 for ITS4, 329 650 01 for TS2) 1	
UST valve and accessories	
Tubeless rim tape	
User guide	

## COMPATIBILITY

Freewheel: Shimano/Sram, convertible to XD with optional driver body	
Front axle: convertible from 15mm thru axle to Quick Release with optional adapters	
Rear axle: 12mm thru axle, convertible to Quick Release with optional adapters	

## Specifications

### RIMS

- **Material** : S6000 Aluminum
- **Joint** : sleeved
- **Drilling** : traditional with H2 reinforcement
- **Valve hole diameter** : 8,5 mm with pop off reducer
- **Tyre** : UST Tubeless and tubetype
- **Material** : S6000 Aluminum
- **Internal width** : 21 mm
- **ETRTO size 26"** : 559x21C
- **ETRTO size 27.5"** : 584x21C
- **ETRTO size 29"** : 622x21C
- **ETRTO recommended tyre sizes** : 35mm to 69mm (1.4" to 2.7")
- **Joint** : sleeved
- **Drilling** : traditional with H2 reinforcement
- **Valve hole diameter** : 8,5 mm with pop off reducer
- **Tyre** : UST Tubeless and tubetype
- **Internal width** : 21 mm
- **ETRTO size 26"** : 559x21C
- **ETRTO size 27.5"** : 584x21C
- **ETRTO size 29"** : 622x21C

### SPOKES

- **Material** : steel
- **Shape** : straight pull, bladed, double butted
- **Nipples** : brass, ABS
- **Count** : 24 front and rear
- **Material** : steel
- **Lacing** : front and rear crossed 2
- **Shape** : straight pull, bladed, double butted
- **Nipples** : steel, ABS
- **Count** : 24 front and rear
- **Lacing** : front and rear crossed 2

### WHEEL HUB

- **Body** : aluminum
- **Axle material** : aluminum  
Sealed cartridge bearings
- **Freewheel** : TS-2 alloy
- **Front and rear bodies** : aluminum  
Shimano 11 speeds compatible
- **Axle material** : aluminum  
Sram XD Compatible (XX1-X01) with optionnal kit  
Sealed cartridge bearings
- **Freewheel** : TS-2 alloy

### VERSIONS

- **Color** : Black only
- **Disc standard** : 6 Bolts only
- **Hub width** : Boost (front 110, rear 148) or Non-Boost (front 100, rear 135/142)

### WHEEL WEIGHTS

- Wheel weight
- Weight Rear 26": 965
- Weight Rear 27.5": 995
- Weight Rear 29": 1040