

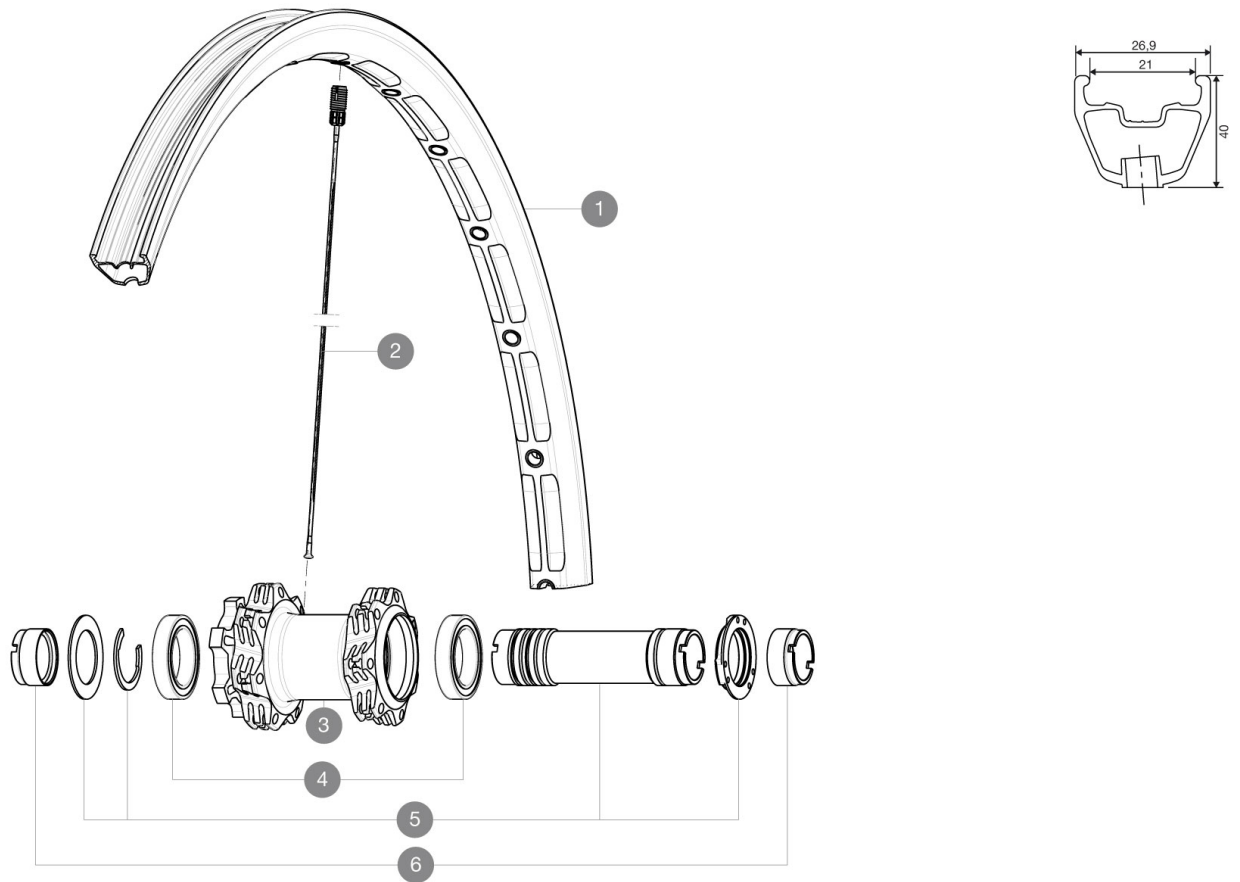
MAVIC Deemax Ultimate 27.5

1
2016
FRONT

ASTM CATEGORY 5 : extreme offroad
ETRTO recommended tyre sizes: 35mm to 69mm (1.4" to 2.7")

REFERENCES WHEELS

F41901 DmaxUlti16 Ft27.5



RIMS



VALVE HOLE \bar{A} (MM): 6.5 :

1 V2312210 "KIT FRONT RIM DEEMAX ULTIMATE 27,5""

SPOKES

2 V2380501 "KIT 14 FRONT DEEMAX 27,5"" SPOKE 284mm"

HUB SHELLS

3 N/A HUB BODY
4 M40179 FRONT HUB BEARING KIT 20mm AXLE
5 30870501 FRONT AXLE 20mm CROSSMAX + DEEMAX ULTI 2012

ADAPTERS

6 12982901 ADAPTER Ft 20x110mm

MAVIC Deemax Ultimate 27.5

DELIVERED WITH

UST valve and accessories	
Front 20 mm adapters	
Rear QR adapters	
Multifunction adjustment wrench	
User guide	
Front 20 mm adapters	
12x157mm adaptors (308 593 01 for ITS4)	
UST valve and accessories	
Multifunction adjustment wrench	
User guide	
12x157mm adaptors (308 593 01 for ITS4)	

COMPATIBILITY

Freewheel: Shimano/Sram, convertible to XD with optional driver body	
Front axle: 20mm or 15mm thru axle with optional adapters	

Specifications

RIMS

- **Material** : Mxstal
 - **Joint** : SUP
 - **Drilling** : Fore
- Disc brake specific profile
- **Weight reduction** : ISM with central spine
 - **Valve hole diameter** : 6.5 mm
 - **Material** : Mxstal
 - **Tyre** : UST Tubeless and tubetype
 - **Internal width** : 21 mm
 - **ETRTO size 26"** : 559x21C
 - **ETRTO size 27.5"** : 584x21C
 - **ETRTO recommended tyre sizes** : 35mm to 69mm (1.4" to 2.7")
 - **Joint** : SUP
 - **Drilling** : Fore
- Disc brake specific profile
- **Weight reduction** : ISM with central spine
 - **Valve hole diameter** : 6.5 mm
 - **Tyre** : UST Tubeless and tubetype
 - **Internal width** : 21 mm
 - **ETRTO size 26"** : 559x21C

SPOKES

- **Material** : steel
- **Shape** : straight pull, bladed
- **Nipples** : Fore integrated aluminum
- **Count** : front 28, rear 32

Down Lacing : front and rear crossed 3ite: 2022-03-01

- **Material** : steel
- **Shape** : straight pull, bladed

WHEEL HUB

- **Front and rear bodies** : aluminum
 - **Axle material** : aluminum
- Adjustable sealed cartridge bearings
- **Freewheel** : ITS-4 alloy
 - **Front and rear bodies** : aluminum
- Shimano 11 speeds compatible
- **Axle material** : aluminum
- Sram XD Compatible (XX1-X01) with optionnal kit
- Adjustable sealed cartridge bearings
- **Freewheel** : ITS-4 alloy

VERSIONS

- **Color** : Black only
- **Disc standard** : 6 Bolts only

WHEEL WEIGHTS

- Wheel weight
- Weight Front 26": 910
- Weight Front 27.5": 930