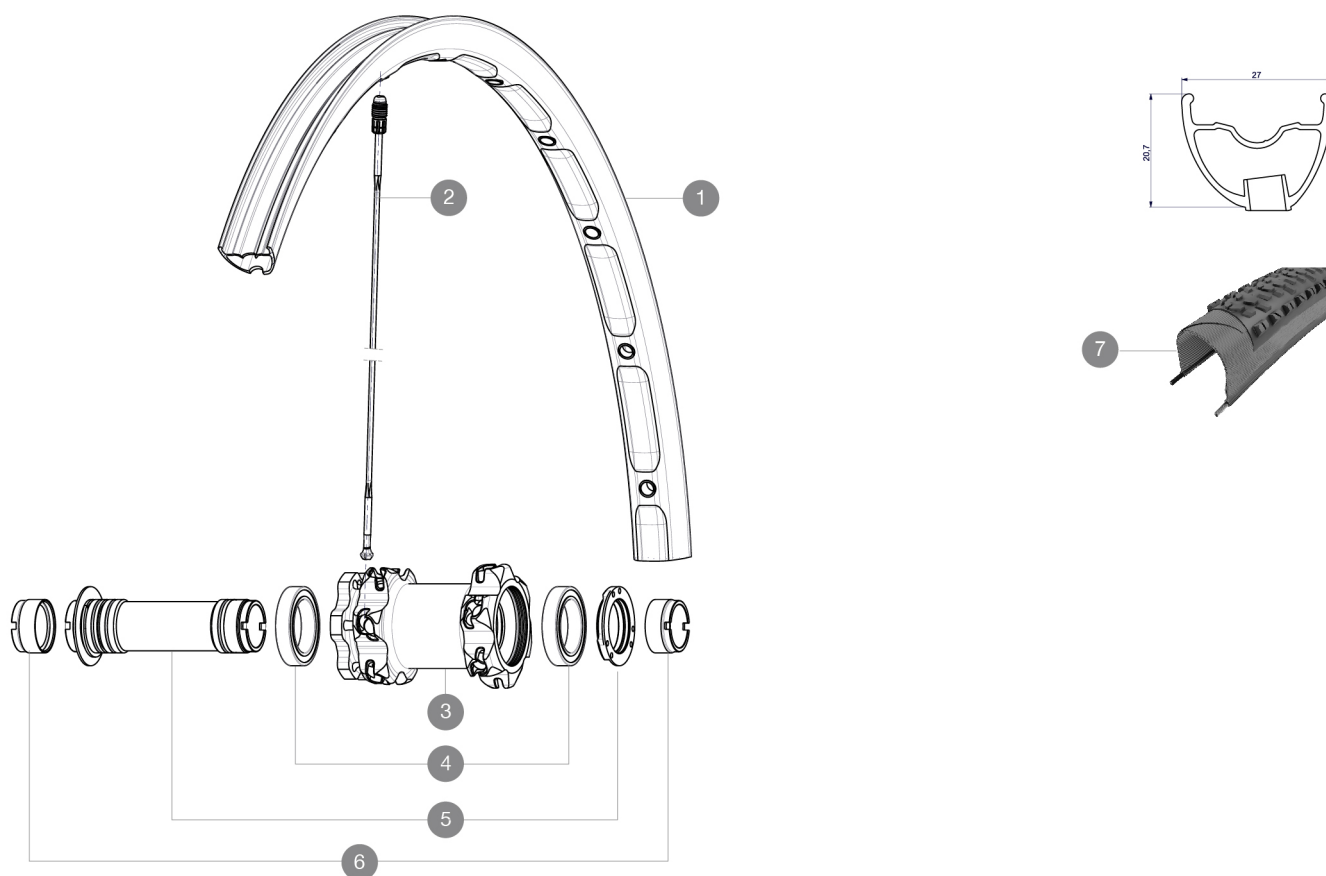


ASTM CATEGORY 4 : offroad with jumps less than 122cm  
Recommended weight limit : 120kg

## REFERENCES WHEELS

F52101 XmaxXLProLtd27.5Ft15mmWTS



### RIMS



VALVE HOLE (MM): 6,5 :

|   |          |   |
|---|----------|---|
| 1 | V2313910 | "KIT FRONT RIM CROSSMAX XL PRO LTD 27,5"" |
|---|----------|---|

### SPOKES

|   |          |  |
|---|----------|--|
| 2 | V2383301 | KIT 2 STAMP SPOKE CROSSMAX XL PRO Ltd 27,5"              |
| 2 | 36674901 | KIT 12 FT XMAX END/FT-NDS DEEMAX PRO 27,5" ALU SPK 275mm |

### HUB SHELLS

|   |          |   |
|---|----------|---|
| 3 | N/A      | HUB BODY                                    |
| 3 | N/A      | HUB BODY                                    |
| 4 | M40179   | FRONT BEARING 25x37x7 20mm AXLE             |
| 5 | 30870501 | FRONT AXLE 20mm CROSSMAX + DEEMAX ULTI 2012 |

### ADAPTERS

|   |          |                     |
|---|----------|---------------------|
| 6 | 12982901 | ADAPTER Ft 20x110mm |
|---|----------|---------------------|

**MAVIC** *Crossmax XL Pro Ltd 27.5***DELIVERED WITH**

|                            |  |
|----------------------------|--|
| 2 bottles of Mavic Sealant |  |
| UST valve and accessories  |  |
| Front 15 mm adapters       |  |
| Rear 12x142mm adapters     |  |
| User guide                 |  |

**Specifications****RIMS**

- **Drilling** : Fore  
Disc brake specific profile
- **Weight reduction** : ISM
- **Tyre** : UST Tubeless and tubetype
- **Internal width** : 23 mm
- **ETRTO size 27.5"** : 584x23C
- **ETRTO recommended tyre sizes** : 37mm to 76mm (1.5" to 3.0")

**SPOKES**

- **Material** : Zicral
- **Shape** : straight pull, bladed
- **Count** : 24 front and rear
- **Lacing** : front crossed 2, rear Isopulse

**WHEEL HUB**

- **Body** : aluminum
- **Axle material** : aluminum  
Adjustable sealed cartridge bearings
- **Freewheel** : ITS-4 alloy  
Shimano 11 speeds compatible  
Sram XD Compatible (XX1-X01) with optional kit

**WHEEL WEIGHTS**

Wheel weight 815