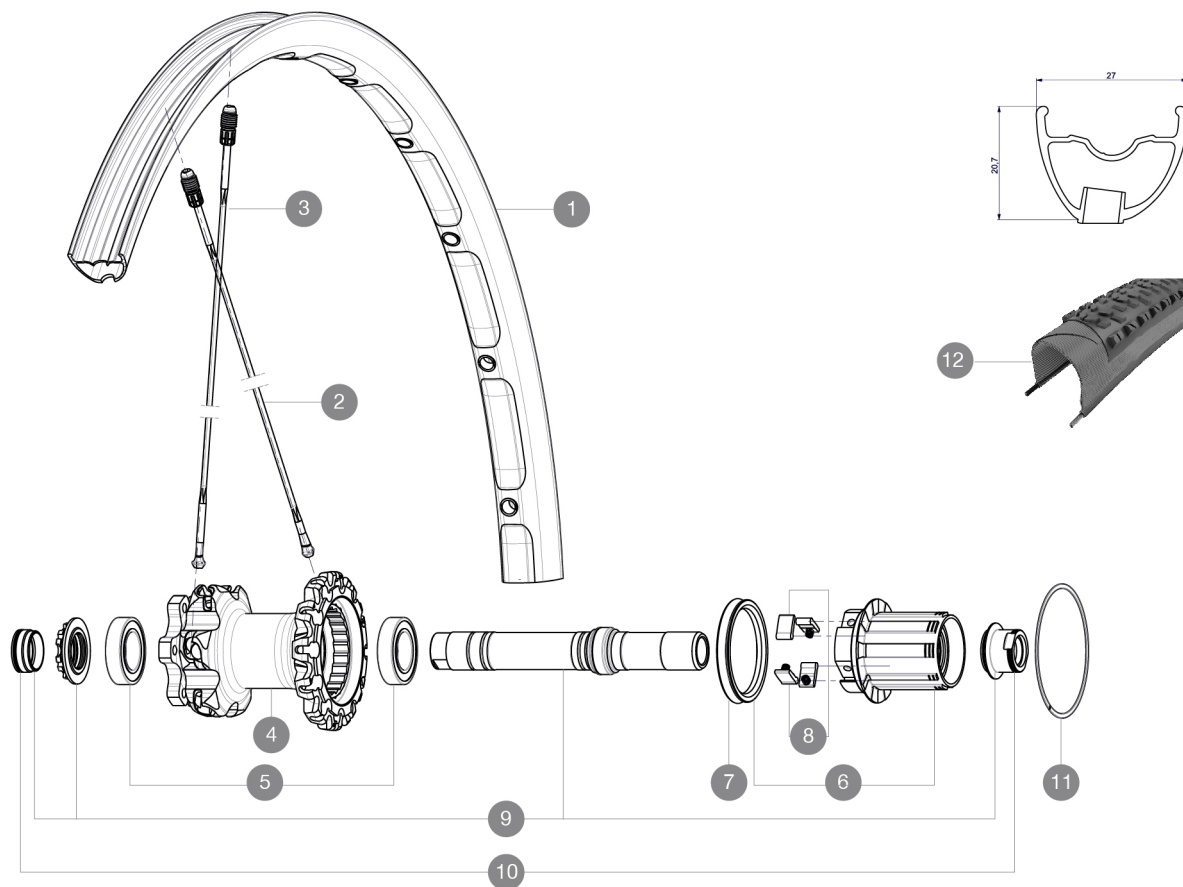


ASTM CATEGORY 4 : offroad with jumps less than 122cm  
Recommended weight limit : 120kg

**REFERENCES WHEELS**

R77801 XmaxXLProLtd27.5Rr142WTS



**RIMS**



VALVE HOLE (MM): 6,5 :

1	V2314013	"KIT REAR RIM CROSSMAX XL PRO LTD 27,5""
---	----------	--

**SPOKES**

2	V2383301	KIT 2 STAMP SPOKE CROSSMAX XL PRO Ltd 27,5"
2	36675101	"KIT 10 DS XMAX SLR/END/PRO/DEEMAX PRO 27,5"" SPK 251,5mm"
3	36674901	KIT 12 FT XMAX END/FT-NDS DEEMAX PRO 27,5" ALU SPK 275mm

**HUB SHELLS**

4	N/A	HUB BODY
5	M40076	HUB BEARINGS 17x30x7 6903 x 2
6	35126001	ITS-4 FREEWHEEL BODY + SEAL 2013 (NO PAWLS)
7	99610701	ITS-4 FREEWHEEL SEAL
8	99610601	PAWLS KIT FOR ITS-4 (OR TS-2)
9	30870401	REAR QRM + AXLE KIT ITS4 135mm from 2012
11	30871801	ELASTIC RING 56mm diam. ITS-4 20 SPOKES

**ADAPTERS**

10	30872201	FRAME SUPPORT ITS-4 135mm REAR AXLE > 2012
----	----------	--

**MAVIC** *Crossmax XL Pro Ltd 27.5***DELIVERED WITH**

2 bottles of Mavic Sealant	
UST valve and accessories	
Front 15 mm adapters	
Rear 12x142mm adapters	
User guide	

**Specifications****RIMS**

- **Drilling** : Fore  
Disc brake specific profile
- **Weight reduction** : ISM
- **Tyre** : UST Tubeless and tubetype
- **Internal width** : 23 mm
- **ETRTO size 27.5"** : 584x23C
- **ETRTO recommended tyre sizes** : 37mm to 76mm (1.5" to 3.0")

**SPOKES**

- **Material** : Zicral
- **Shape** : straight pull, bladed
- **Count** : 24 front and rear
- **Lacing** : front crossed 2, rear Isopulse

**WHEEL HUB**

- **Body** : aluminum
- **Axle material** : aluminum  
Adjustable sealed cartridge bearings
- **Freewheel** : ITS-4 alloy  
Shimano 11 speeds compatible  
Sram XD Compatible (XX1-X01) with optional kit

**WHEEL WEIGHTS**

Wheel weight 895