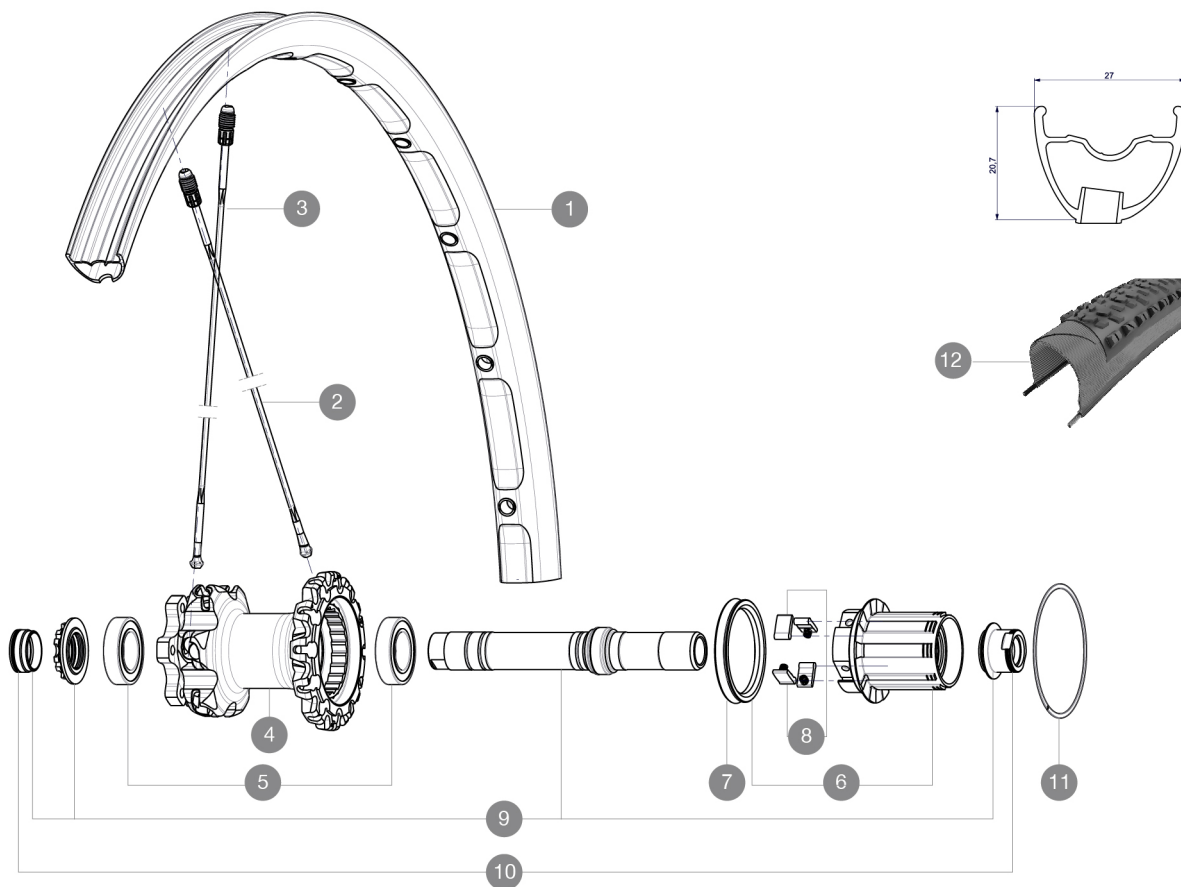


ASTM CATEGORY 4 : offroad with jumps less than 122cm  
Recommended weight limit : 120kg

**REFERENCES WHEELS**

R77801 XmaxXLProLtd27.5Rr142WTS



**RIMS**



VALVE HOLE (MM): 6,5 :

|   |          |  |
|---|----------|--|
| 1 | V2314013 | "KIT REAR RIM CROSSMAX XL PRO LTD 27,5"" |
|---|----------|--|

**SPOKES**

|   |          |  |
|---|----------|--|
| 2 | 36675101 | "KIT 10 DS XMAX SLR/END/PRO/DEEMAX PRO 27,5"" SPK 251,5mm" |
| 2 | V2383301 | KIT 2 STAMP SPOKE CROSSMAX XL PRO Ltd 27,5"                |
| 3 | 36674901 | KIT 12 FT XMAX END/FT-NDS DEEMAX PRO 27,5" ALU SPK 275mm   |

**HUB SHELLS**

|    |          |   |
|----|----------|---|
| 4  | N/A      | HUB BODY                                    |
| 5  | M40076   | HUB BEARINGS 17x30x7 6903 x 2               |
| 6  | 35126001 | ITS-4 FREEWHEEL BODY + SEAL 2013 (NO PAWLS) |
| 7  | 99610701 | ITS-4 FREEWHEEL SEAL                        |
| 8  | 99610601 | PAWLS KIT FOR ITS-4 (OR TS-2)               |
| 9  | 30870401 | REAR QRM + AXLE KIT ITS4 135mm from 2012    |
| 11 | 30871801 | ELASTIC RING 56mm diam. ITS-4 20 SPOKES     |

**ADAPTERS**

|    |          |  |
|----|----------|--|
| 10 | 30872201 | FRAME SUPPORT ITS-4 135mm REAR AXLE > 2012 |
|----|----------|--|

# MAVIC Crossmax XL Pro Ltd 27.5

## DELIVERED WITH

|                            |  |
|----------------------------|--|
| 2 bottles of Mavic Sealant |  |
| UST valve and accessories  |  |
| Front 15 mm adapters       |  |
| Rear 12x142mm adapters     |  |
| User guide                 |  |

## Specifications

### RIMS

- **Drilling** : Fore  
Disc brake specific profile
- **Weight reduction** : ISM
- **Tyre** : UST Tubeless and tubetype
- **Internal width** : 23 mm
- **ETRTO size 27.5"** : 584x23C
- **ETRTO recommended tyre sizes** : 37mm to 76mm (1.5" to 3.0")

### SPOKES

- **Material** : Zicral
- **Shape** : straight pull, bladed
- **Count** : 24 front and rear
- **Lacing** : front crossed 2, rear Isopulse

### WHEEL HUB

- **Body** : aluminum
- **Axle material** : aluminum  
Adjustable sealed cartridge bearings
- **Freewheel** : ITS-4 alloy  
Shimano 11 speeds compatible  
Sram XD Compatible (XX1-X01) with optional kit

### WHEEL WEIGHTS

Wheel weight 895