

ASTM CATEGORY 1 : road only

For a longer longevity of the wheel, Mavic recommends that the total weight supported by the wheels don't exceed 120kg, bike included

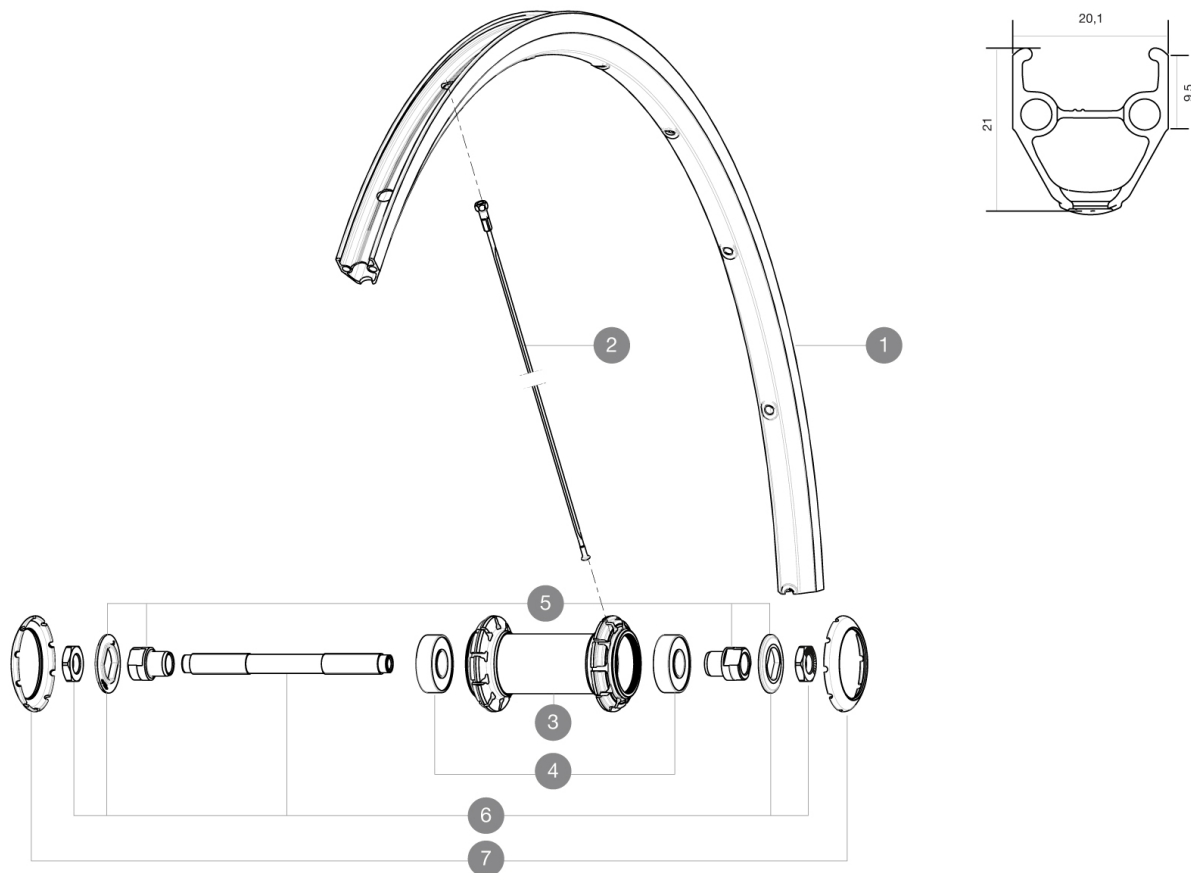
Recommended tyre sizes: 25 to 32 mm

23mm 8.7 bars - 125 psi, 25mm 7.7 bars - 110 psi

参照ホイール

F52701 Aksium RS SMU Ft

F71901 Aksium RS Ft



RIMS



23mm 8.7 bars - 125 psi, 25mm 7.7 bars - 110 psi

1 V2403015 KIT FRONT/REAR RIM AKSIUM

SPOKES

2 V2272701 FRONT & REAR NON DRIVE SIDE ROUND SPOKE AKSIUM 283mm (Cannon)


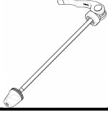
HUB SHELLS

4 M40318 HUB BEARING KIT 6001
5 99603801 SHORT EXPENSIBLE BEARING SUPPORTS > 2008
6 99603701 FRONT AXLE QRM ROAD 2008
7 12034401 KIT 3 HUB CAPS AERO 10 SLOTS BLACK

MAVIC

Aksium RS

付属品

BR101 quick releases (M40350 frt, M40351 rear road, M40352 rear MTB) 1	
BR101 quick releases (M40350 frt, M40351 rear road, M40352 rear MTB) 1	
Rim tape	
Rim tape	
User guide	
User guide	

COMPATIBILITY

Freewheel: Shimano/Sram, convertible to Campagnolo with optional driver body	
Freewheel: Shimano/Sram, convertible to Campagnolo with optional driver body	
Front axle: Quick Release only	
Front axle: Quick Release only	
Rear axle: Quick Release only	
Rear axle: Quick Release only	

Specifications

リム

- Material : S6000 Aluminum
- Material : S6000 Aluminum
- Height : 21 mm
- Height : 21 mm
- Joint : pinned
- Joint : pinned
- Drilling : traditional with H2 reinforcement
- Drilling : traditional with H2 reinforcement
- Brake track : UB Control
- Brake track : UB Control
- Valve hole diameter : 6.5 mm
- Valve hole diameter : 6.5 mm
- Tyre : clincher
- Tyre : clincher
- Internal width : 15mm
- Internal width : 15mm
- ETRTO size : 622x15C
- ETRTO size : 622x15C

スポーク

- Material : steel
- Material : steel
- Shape : straight pull, round
- Shape : straight pull, round
- ABS
- ABS
- Count : 20 front and rear
- Count : 20 front and rear
- Lacing : radial front and rear non-drive side, crossed 2 rear drive side
- Lacing : radial front and rear non-drive side, crossed 2 rear drive side

ホイールハブ

- Front and rear bodies : aluminum
- Front and rear bodies : aluminum
- Axle material : steel
- Axle material : steel
- Sealed cartridge bearings
- Sealed cartridge bearings
- Freewheel : FTS-L steel
- Freewheel : FTS-L steel

VERSIONS

- Color : Black only
- Color : Black only

ホイールの重み

ホイール重量 (クイックリリースおよびクリンチャー/チューブラーを除く) (g) : 865