

ASTM CATEGORY 1 : road only

For a longer longevity of the wheel, Mavic recommends that the total weight supported by the wheels don't exceed 120kg, bike included

Recommended tyre sizes: 25 to 32 mm

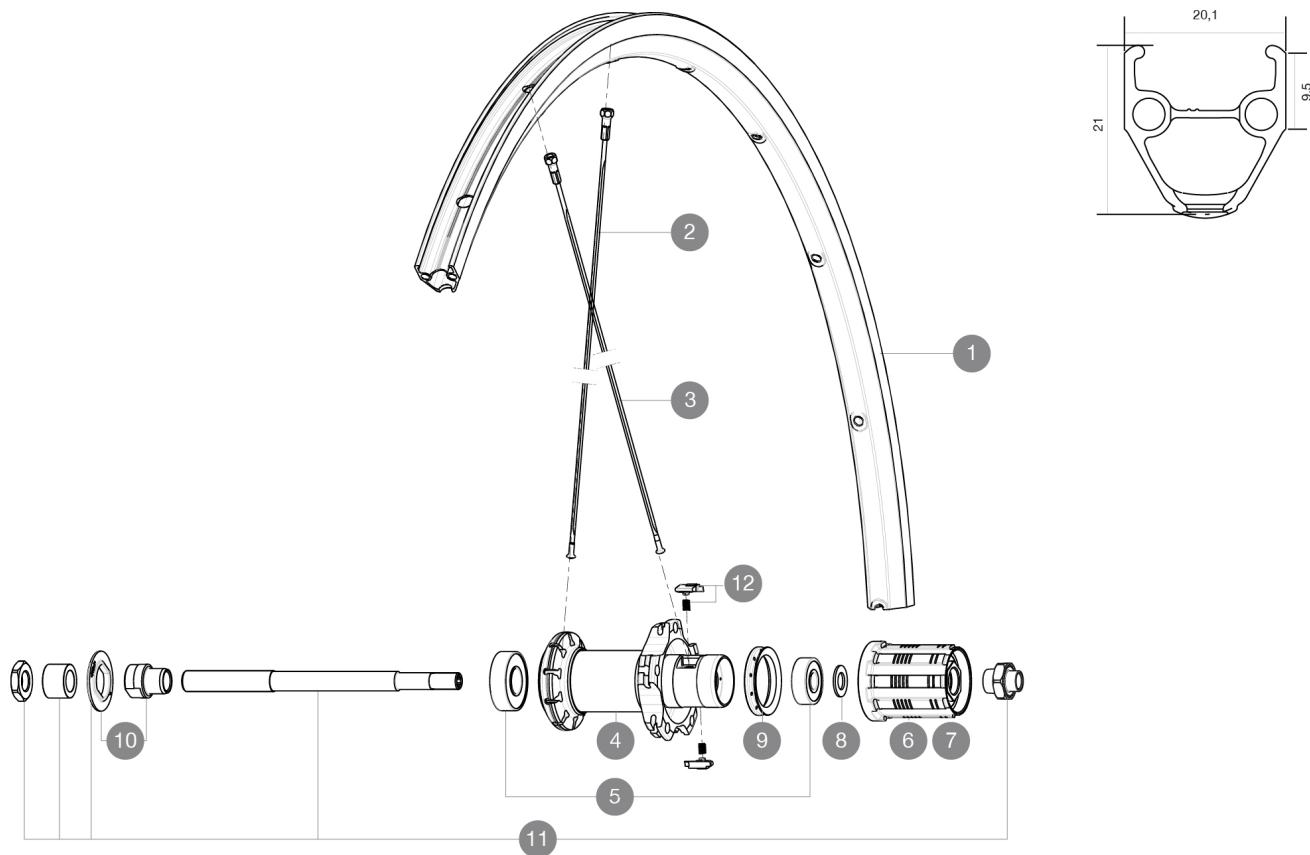
23mm 8.7 bars - 125 psi, 25mm 7.7 bars - 110 psi

参照ホイール

R78701 Aksium RS SMU Rr M11

R99521

Aksium RS Rr



RIMS



Kit Front/Rear Rim Aksium

| | | |
|---|----------|---------------------------|
| 1 | V2403015 | KIT FRONT/REAR RIM AKSIUM |
|---|----------|---------------------------|

SPOKES


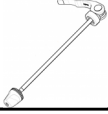
| | | |
|---|----------|--|
| 2 | V2272701 | FRONT & REAR NON DRIVE SIDE ROUND SPOKE AKSIUM 283mm |
| 3 | 10845001 | FRONT & REAR DRIVE SIDE ROUND SPOKE AKSIUM 298mm |

HUB SHELLS

| | | |
|----|----------|---|
| 5 | M40660 | REAR HUB 608+6001 BEARINGS |
| 6 | 30871101 | FTS-L FREEWHEEL BODY HG11 2013 (8 or 9mm axle compatible) |
| 7 | 30871201 | FTS-L FREEWHEEL BODY ED11 2013 (8 or 9mm axle compatible) |
| 8 | M40067 | 10 SPACERS FRW/HUB BODY |
| 9 | 99500001 | FTSL/FTSX FREEHUB BODY SEAL |
| 10 | 99603801 | SHORT EXPENSIBLE BEARING SUPPORTS > 2008 |
| 11 | 99603901 | REAR AXLE KSYRIUM EQUIPE 08 |
| 12 | M40578 | FTSL PAWLS KIT (ROAD WHEELS) |

MAVIC Aksium RS

付属品

| | |
|--|---|
| BR101 quick releases (M40350 frt, M40351 rear road, M40352 rear MTB) 1 |  |
| BR101 quick releases (M40350 frt, M40351 rear road, M40352 rear MTB) 1 |  |
| Rim tape | |
| Rim tape | |
| User guide | |
| User guide | |

COMPATIBILITY

| | |
|--|--|
| Freewheel: Shimano/Sram, convertible to Campagnolo with optional driver body | |
| Freewheel: Shimano/Sram, convertible to Campagnolo with optional driver body | |
| Front axle: Quick Release only | |
| Front axle: Quick Release only | |
| Rear axle: Quick Release only | |
| Rear axle: Quick Release only | |

Specifications

リム

- Material : S6000 Aluminum
- Material : S6000 Aluminum
- Height : 21 mm
- Height : 21 mm
- Joint : pinned
- Joint : pinned
- Drilling : traditional with H2 reinforcement
- Drilling : traditional with H2 reinforcement
- Brake track : UB Control
- Brake track : UB Control
- Valve hole diameter : 6.5 mm
- Valve hole diameter : 6.5 mm
- Tyre : clincher
- Tyre : clincher
- Internal width : 15mm
- Internal width : 15mm
- ETRTO size : 622x15C
- ETRTO size : 622x15C

スポーク

- Material : steel
- Material : steel
- Shape : straight pull, round
- Shape : straight pull, round
- ABS
- ABS
- Count : 20 front and rear
- Count : 20 front and rear
- Lacing : radial front and rear non-drive side, crossed 2 rear drive side
- Lacing : radial front and rear non-drive side, crossed 2 rear drive side

ホイールハブ

- Front and rear bodies : aluminum
- Front and rear bodies : aluminum
- Axle material : steel
- Axle material : steel
- Sealed cartridge bearings
- Sealed cartridge bearings
- Freewheel : FTS-L steel
- Freewheel : FTS-L steel

VERSIONS

- Color : Black only
- Color : Black only

ホイールの重み

ホイール重量 (クイックリリースおよびクリンチャー/チューブラーを除く) (g) : 1015