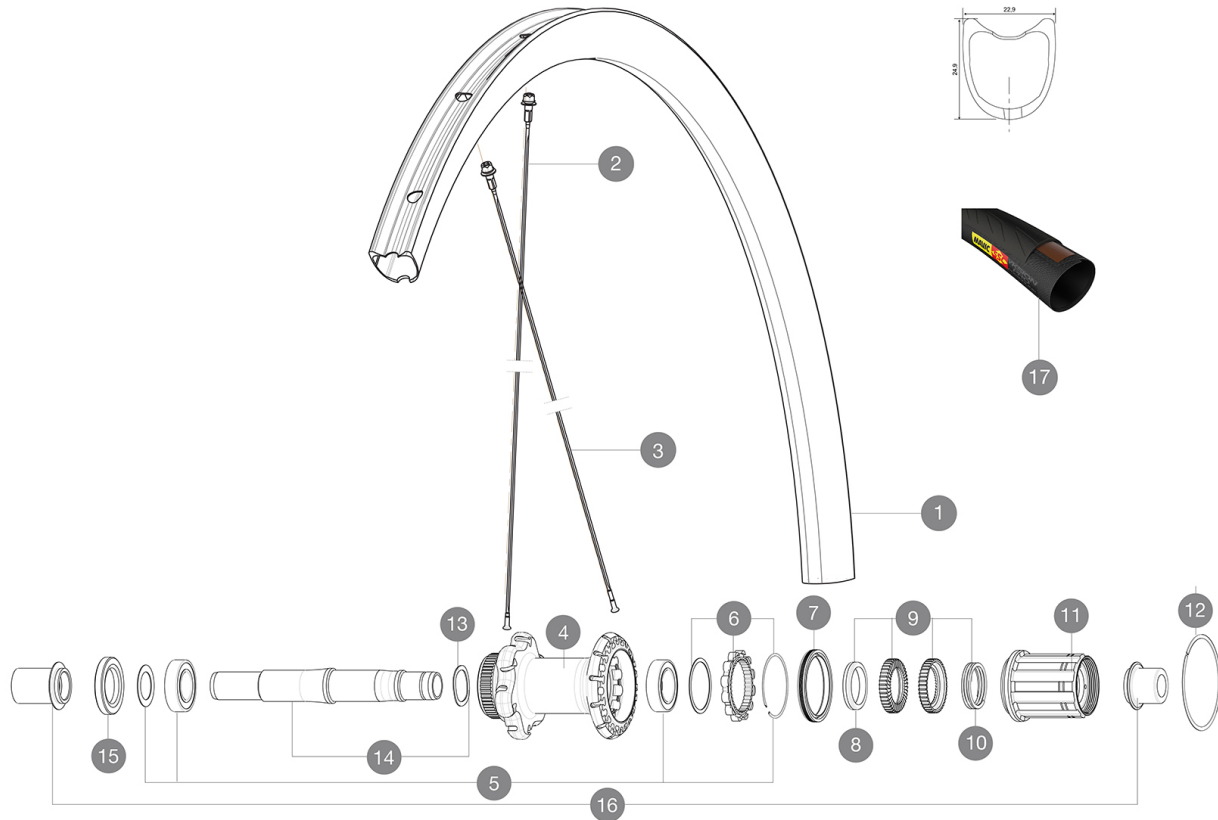


MAVIC Ksyrium Pro Carbon SL T Disc

ASTM CATEGORY 2 : road and offroad with jumps less than 15cm
 Recommended weight limit : 120kg
 Recommended tyre sizes: 23 to 32 mm
 Recommended tyre sizes: 25 to 52 mm
 Max. Pressure: 23mm 8.7 bars - 125 psi, 25/28mm 7.7 bars - 110 psi
 Max. Pressure: 25mm 7.7 bars - 110 PSI

REFERENCES WHEELS

R78201 KsyProCarbSLTDiscCLRr



RIMS



VALVE HOLE \bar{A} (MM): 6,5 :

1 V2404113 KIT REAR RIM KSYRIUM PRO CARBON SL DISC TUB

SPOKES

2 V2271401 KIT 12 DS KSYRIUM PRO CARB SL T SPOKE 273mm - while stock la
 2 V3663201 KIT 12 DS KSY PRO CARB SL UST/UST Disc/C Disc/T Disc BUTTED
 3 V3663301 KIT 12 FRT KSYR PRO CARB SL UST Disc + NDS KSYR PRO CARB SL
 3 V2271501 KIT 12 FT KSY PRO CARB SL D/NDS KSY PRO CARB SL SPK 291mm -

HUB SHELLS

4 N/A HUB BODY
 5 V2560201 KIT ID360 BEARINGS 15/28/7 + 17/28/7
 6 V2252701 KIT ID360 INSERT SHAPED EAR LOBE > 2017
 7 V2251601 KIT ID360 SEAL + GREASE
 8 V2500501 KIT ID360 3 PADS NOISE REDUCING
 9 V2251701 KIT ID360 2 RATCHETS + SPRING + GREASE
 10 V2251801 KIT 3 ID360 ROAD SPRINGS
 11 V3430101 HG11 Freewheel Body ID360
 12 V2252201 KIT 2 REAR HUB RETENTION RINGS 48mm
 13 V2251501 KIT 3 ID360 WAVE WASHERS
 14 V2251401 KIT ID360 AXLE DISC CENTER LOCK
 15 V2251101 KIT ID360 HUB THREADED CAP DISC CENTER LOCK

TYRES



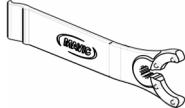
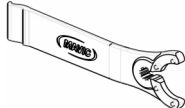
17 37804625 Yksion ProPowerTub SSC

ADAPTERS

16 B4989801 ADAPTER Rr 9mm QR ID360 (CLock)

MAVIC Ksyrium Pro Carbon SL T Disc

DELIVERED WITH

BR601 quick releases	
Front 12 mm adapters	
Specific disc bolts	
User guide	
Front 12 mm adapters (B4104201) 1	
Rear 12x142mm adapters for Instant Drive 360 (B49 896 01 for ID360 6T, B49 899 01 for ID360 CL) 1	
Specific disc bolts	
Multifunction adjustment wrench (325 423 01) 1	
Multifunction adjustment wrench (325 423 01) 1	
User guide	
User guide	

COMPATIBILITY

Freewheel: Shimano/Sram, convertible to Campagnolo and XD-R with optional driver bodies	
Freewheel: Shimano/Sram or Campagnolo, convertible to XD-R with optional driver body	
Front axle: convertible from 12mm thru axle to quick release or 15mm thru axle with optional adapters	
Front axle: convertible from 12mm thru axle to quick release or 15mm thru axle with optional adapters	
Rear axle: 12mm thru axle, convertible to Quick Release with optional adapters	
Rear axle: 12mm thru axle, convertible to Quick Release with optional adapters	

Specifications

RIMS

- **Material** : 3K carbon fibers
 - **Height** : 25mm
 - **Drilling** : traditional
 - **Material** : 3K carbon fibers
 - **Material** : 3K carbon fibers
- Disc brake specific profile
- **Valve hole diameter** : 6.5 mm
 - **Tyre** : tubular
 - **ETRTO size** : 28" tubular
 - **Height** : 25mm
 - **Height** : 25mm
 - **Recommended tyre sizes** : 25 to 52 mm
 - **Drilling** : traditional
 - **Drilling** : traditional
- Disc brake specific profile
Disc brake specific profile
- **Valve hole diameter** : 6.5 mm
 - **Valve hole diameter** : 6.5 mm
 - **Tyre** : tubular
 - **Tyre** : tubular
 - **ETRTO size** : 28" tubular
 - **ETRTO size** : 28" tubular

SPOKES

- **Material** : steel
- **Shape** : straight pull, bladed, double butted
- **Nipples** : aluminum, ABS
- **Count** : 24 front and rear

WHEEL HUB

- **Front and rear bodies** : aluminum
 - **Axle material** : aluminum
- Sealed cartridge bearings
- **Freewheel** : Instant Drive 360
 - **Front and rear bodies** : aluminum
 - **Front and rear bodies** : aluminum
 - **Front** : Quick release, 12 thru and 15 thru compatible
 - **Axle material** : aluminum
 - **Axle material** : aluminum
 - **Rear** : 12x142 (convertible to quick release with optional adapters)
- Sealed cartridge bearings
- **Front bearings** : adjustable sealed cartridge bearings (QRM+), Rear bearings auto adjust sealed cartridge bearings (QRM Auto)
 - **Freewheel** : Instant Drive 360
 - **Freewheel** : Instant Drive 360
 - **Front** : Quick release, 12 thru and 15 thru compatible
 - **Rear** : 12x142 (convertible to quick release with optional adapters)

VERSIONS

- **Color** : Black only
- **Color** : Black only
- **Disc standard** : Center Lock(R) only
- **Disc standard** : Center Lock(R) only

WHEEL WEIGHTS

Wheel weight 695