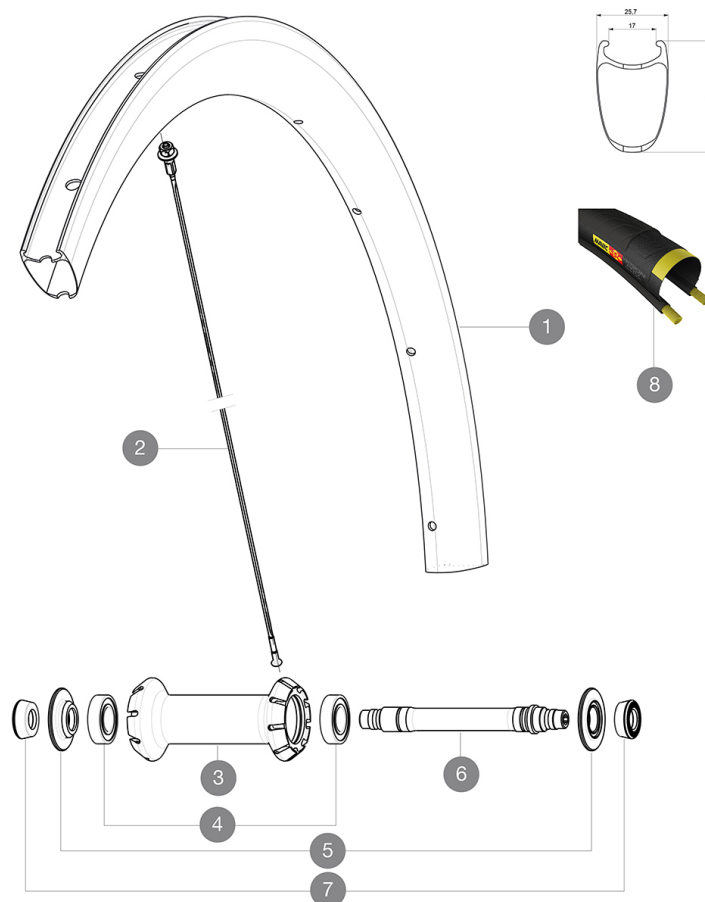


ASTM CATEGORY 1 : road only  
Recommended weight limit : 120kg  
Recommended tyre sizes: 25 to 52 mm  
Max. Pressure: 25mm 7.7 bars - 110 PSI

## REFERENCES WHEELS

F43301 CosmicProCarbSLCFT



## RIMS



VALVE HOLE  $\bar{A}$  (MM): 6,5 :

1	V4092610	Kit Front rim Cosmic SL 40 RB
1	V2736710	KIT FRONT RIM COSMIC PRO CARBON SL/PRO CARBON UST 19 - white
1	V2401010	KIT FRT RIM COSMIC PRO CARBON SL Clincher - While stock last
	V2690101	KIT CARBON RIM TAPE 21x622mm - FOR CARBON RIM
	V3720101	25mm UST Tape for 19 to 22mm Road Rims

## SPOKES

2	V3662201	KIT 12 FRT COSMIC PRO CARB SL T/C/UST & NDS CPC SL BUTTED AE
2	V2271001	KIT 9 FT BTD AERO SPK 271mm/WIDE ALU NIP/WASH - while stock

## HUB SHELLS

4	M40078	FRONT HUB BEARINGS 6901 x 2
5	V2252501	FRONT SETTING NUT & DUST PROTECTOR MY16
6	30870001	FRONT AXLE ROAD RIM BRAKING QRM +

## TYRES

8	37805225	YksionProGripLinkSSC
---	----------	----------------------

## ADAPTERS

7	35117301	FT/RR FORK REST R-SYS/CC ULTIMATE > 2013/KSY PRO CARB T
---	----------	---------------------------------------------------------

## DELIVERED WITH

BR601 quick releases	
Rim tape	
BR601 quick releases	
Carbon brake pads	
Carbon brake pads	
Multifunction adjustment wrench	
User guide	
Rim tape	
Multifunction adjustment wrench	
User guide	

## COMPATIBILITY

Freewheel: Shimano/Sram or Campagnolo, convertible to XD-R with optional driver body	
Front axle: Quick Release only	
Rear axle: Quick Release only	

## Specifications

### RIMS

- **Material** : 3K carbon fibers
- **Height** : 40 mm
- **Material** : 3K carbon fibers
- **Drilling** : traditional
- **Brake track** : carbon with TgMAX technology
- **Valve hole diameter** : 6.5 mm
- **Tyre** : clincher
- **Internal width** : 17 mm
- **ETRTO size** : 622x17C
- **Recommended tyre sizes** : 25 to 52 mm
- **Height** : 40 mm
- **Drilling** : traditional
- **Brake track** : carbon with TgMAX technology
- **Valve hole diameter** : 6.5 mm
- **Tyre** : clincher
- **Internal width** : 17 mm
- **ETRTO size** : 622x17C

### SPOKES

- **Material** : steel
- **Shape** : straight pull, bladed, double butted
- **Nipples** : aluminum, ABS
- **Count** : front 18, rear 24
- **Lacing** : front radial, rear Isopulse
- **Material** : steel
- **Shape** : straight pull, bladed, double butted
- **Nipples** : aluminum, ABS
- **Count** : front 18, rear 24
- **Lacing** : front radial, rear Isopulse

### WHEEL HUB

- **Front and rear bodies** : aluminum
- **Axle material** : aluminum
- Sealed cartridge bearings
- **Freewheel** : Instant Drive 360
- **Front and rear bodies** : aluminum
- **Axle material** : aluminum
- Sealed cartridge bearings
- **Freewheel** : Instant Drive 360

### VERSIONS

- **Color** : Black only

### WHEEL WEIGHTS

Wheel weight 665