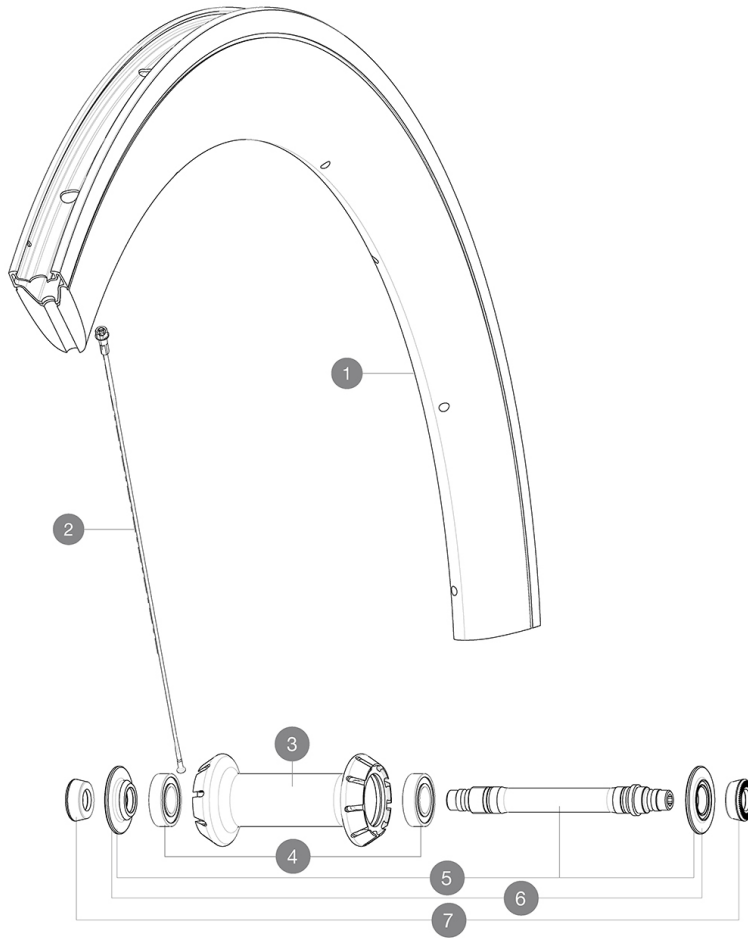


ASTM CATEGORY 1 : road only  
 Recommended weight limit : 120kg  
 Recommended tire sizes: 23 to 32 mm  
 Max. Pressure: 23mm 8.7 bars - 125 psi, 25mm 7.7 bars - 110 psi

## REFERENCES WHEELS

F27302 CXR Elite Ft



## RIMS



VALVE HOLE  $\bar{A}$  (MM): 6.5 :

1	V2408110	KIT FRONT RIM CXR ELITE UB - until stock last
	V2690201	KIT CARBON RIM TAPE 18x622mm - FOR CARBON RIM



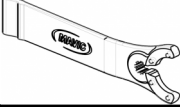
## SPOKES

2	V2275001	KIT 9 FT BTD AERO SPOKE 283mm/WIDE NIPPLE CXR Elite
---	----------	---

## HUB SHELLS

3	N/A	HUB BODY
3	N/A	HUB BODY
4	M40078	FRONT HUB BEARINGS 6901 x 2
5	30870001	FRONT AXLE ROAD RIM BRAKING QRم +
6	V2252501	FRONT SETTING NUT & DUST PROTECTOR MY16
7	35117301	FT/RR FORK REST R-SYS/CC ULTIMATE > 2013/KSY PRO CARB T

**DELIVERED WITH**

BR601 quick releases (V24 501 01 frt, V24 502 01 rear) 1	
Valve extender (118 952 01) 1	
Rim tape	
Multifunction adjustment wrench (325 423 01) 1	
User guide	

**COMPATIBILITY**

Freewheel: Shimano/Sram, convertible to Campagnolo and XD-R with optional driver bodies	
Front axle: Quick Release only	
Rear axle: Quick Release only	

**Specifications****RIMS**

- **Material** : Maxtal alloy with Blackcell flange
- **Height** : 60 mm
- **Drilling** : traditional
- **Brake track** : UB Control
- **Valve hole diameter** : 6.5 mm
- **Tire** : clincher
- **Internal width** : 16 mm
- **ETRTO size** : 622x16C

**SPOKES**

- **Material** : steel
- **Shape** : straight pull, bladed, double butted
- **Nipples** : aluminum, ABS
- **Count** : front 18, rear 24
- **Lacing** : front radial, rear Isopulse

**WHEEL HUB**

- **Front and rear bodies** : aluminum
  - **Axle material** : aluminum
- Sealed cartridge bearings
- **Freewheel** : Instant Drive 360

**WHEEL WEIGHTS**

Wheel weight 895