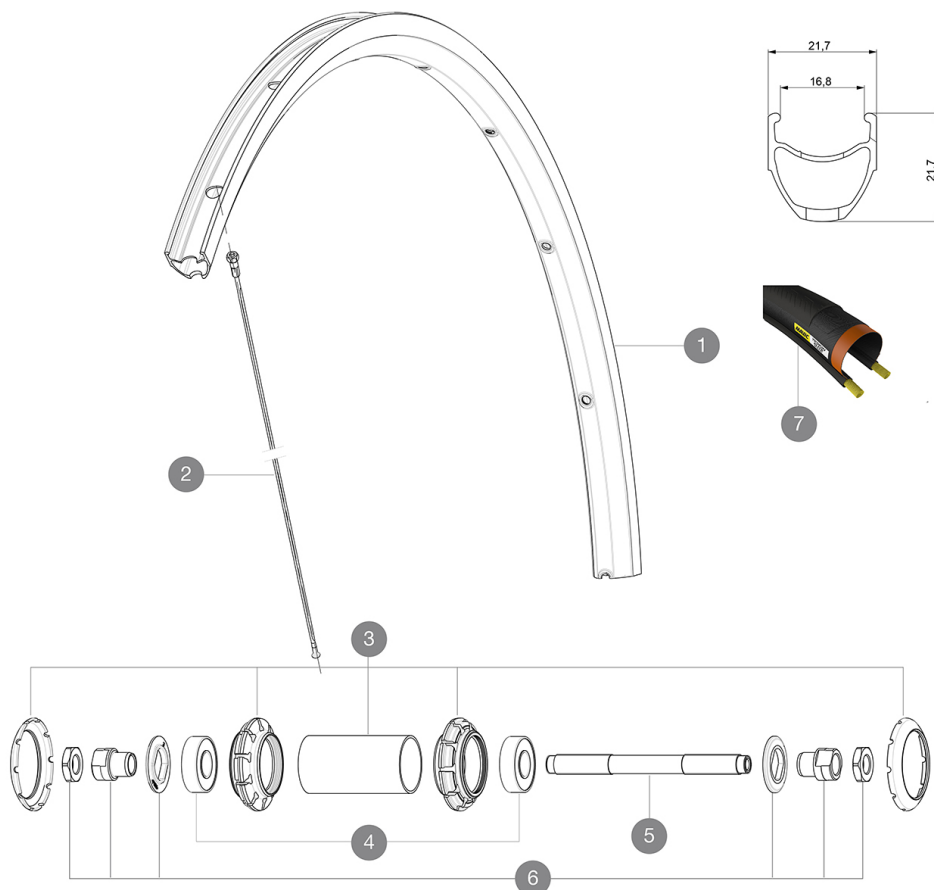


ASTM CATEGORY 2 : road and offroad with jumps less than 15cm
 Recommended weight limit : 120kg
 Recommended tire sizes: 25 to 32 mm
 Max. Pressure: 23mm 8.7 bars - 125 psi, 25/28mm 7.7 bars - 110 psi
 Max. Pressure: 25/28mm 7.7 bars - 110 PSI

REFERENCES WHEELS

F54501 Aksium Elite 17 Ft



RIMS



 NBSP;:

- | | | |
|---|----------|--|
| 1 | V2408615 | KIT FRONT/REAR RIM AKSIUM ELITE 17C - while stock last |
| 1 | V2735015 | KIT FRONT/REAR RIM AKSIUM ELITE UST UB SUP |

SPOKES

- | | | |
|---|----------|--|
| 2 | V4160101 | Kit 10 stainless spokes 285 Ft Ksyrium Equipe S/Ft & NDS Aks |
| 2 | 10844901 | KIT 10 FT KSYRIUM EQ S/FT+NDS AKSIUM SPK 285mm - while stock |



HUB SHELLS

- | | | |
|---|----------|--|
| 3 | 12034401 | KIT 3 HUB CAPS AERO 10 SLOTS BLACK |
| 4 | M40318 | KIT 2 HUB BEARINGS 6001 |
| 5 | 99603701 | FRONT AXLE QRM ROAD 2008 |
| 6 | 99603801 | SHORT EXPENSIBLE BEARING SUPPORTS > 2008 |

TYRES

- | | | |
|---|----------|-------------------------|
| 7 | 37805628 | Yksion EliteGuard White |
| 7 | 37805625 | Yksion EliteGuard White |

DELIVERED WITH

BR101 quick releases (M40350 firt, M40351 rear road, M40352 rear MTB) 1	
BR101 quick releases (M40350 firt, M40351 rear road, M40352 rear MTB) 1	
Rim tape	
Rim tape	
User guide	
User guide	

COMPATIBILITY

Freewheel: Shimano/Sram, convertible to Campagnolo with optional driver body	
Freewheel: Shimano/Sram, convertible to Campagnolo with optional driver body	
Front axle: Quick Release only	
Front axle: Quick Release only	
Rear axle: Quick Release only	
Rear axle: Quick Release only	

Specifications
RIMS

- **Material** : S6000 Aluminum
- **Material** : S6000 Aluminum
- **Height** : 22 mm
- **Height** : 21 mm
- **Joint** : sleeved
- **Joint** : sleeved
- **Drilling** : traditional with H2 reinforcement
- **Drilling** : traditional with H2 reinforcement
- **Brake track** : UB Control
- **Brake track** : UB Control
- **Valve hole diameter** : 6.5 mm
- **Valve hole diameter** : 6.5 mm
- **Tire** : clincher
- **Tire** : clincher
- **Internal width** : 17 mm
- **Internal width** : 17 mm
- **ETRTO size** : 622x17C
- **ETRTO size** : 622x17C

SPOKES

- **Material** : steel
- **Material** : steel
- **Shape** : straight pull, bladed
- **Shape** : straight pull, bladed
- **Nipples** : steel, ABS
- **Nipples** : steel, ABS
- **Count** : 20 front and rear
- **Count** : 20 front and rear
- **Lacing** : radial front and rear non-drive side, crossed 2 rear drive side
- **Lacing** : radial front and rear non-drive side, crossed 2 rear drive side

WHEEL HUB

- **Front and rear bodies** : aluminum
- **Front and rear bodies** : aluminum
- **Axle material** : steel
- **Axle material** : steel
- Sealed cartridge bearings
- Sealed cartridge bearings
- **Freewheel** : FTS-L steel
- **Freewheel** : FTS-L steel

VERSIONS

- **Color** : Black only
- **Color** : Black only

WHEEL WEIGHTS

Wheel weight 815